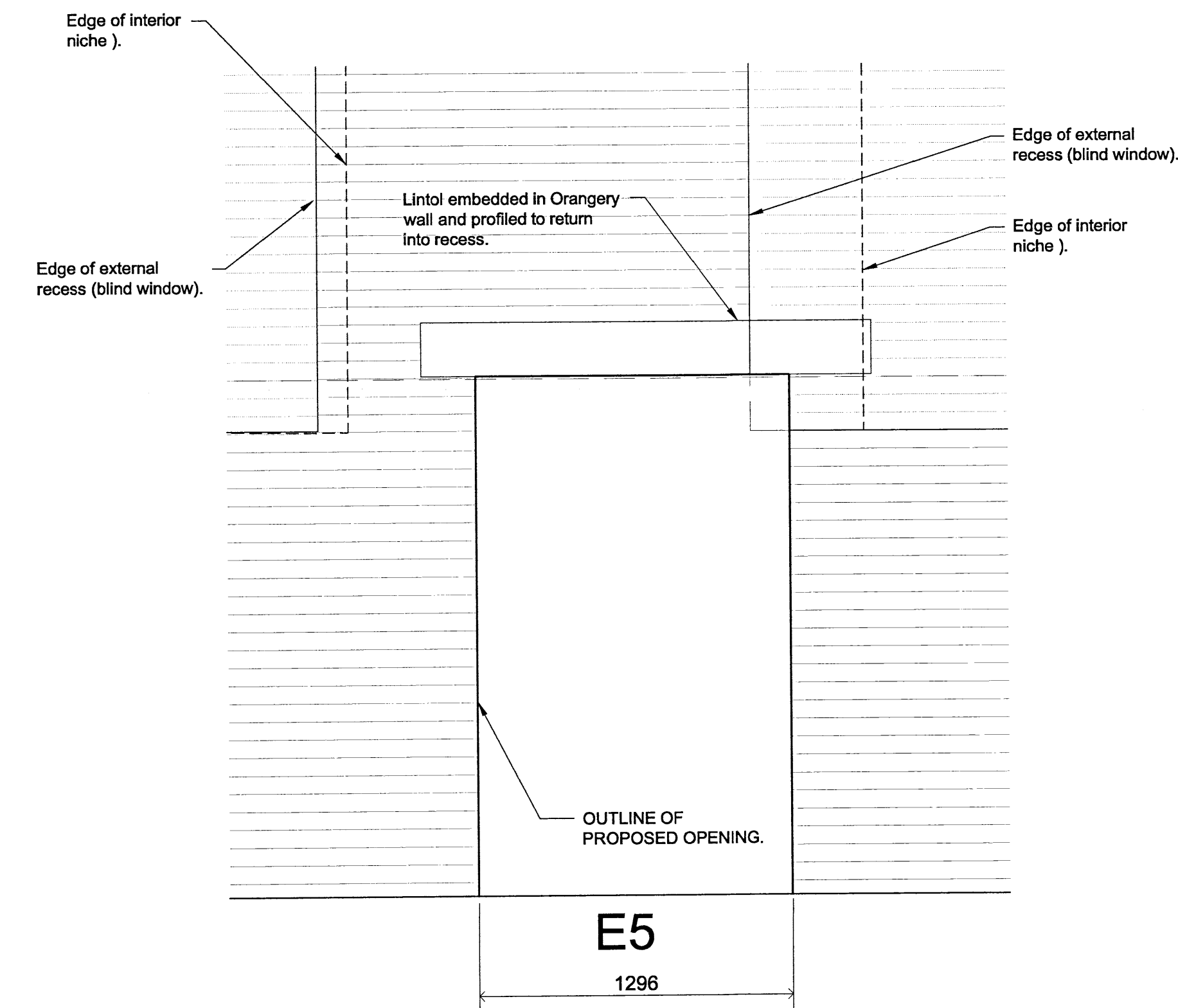
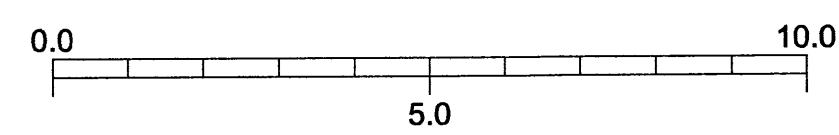
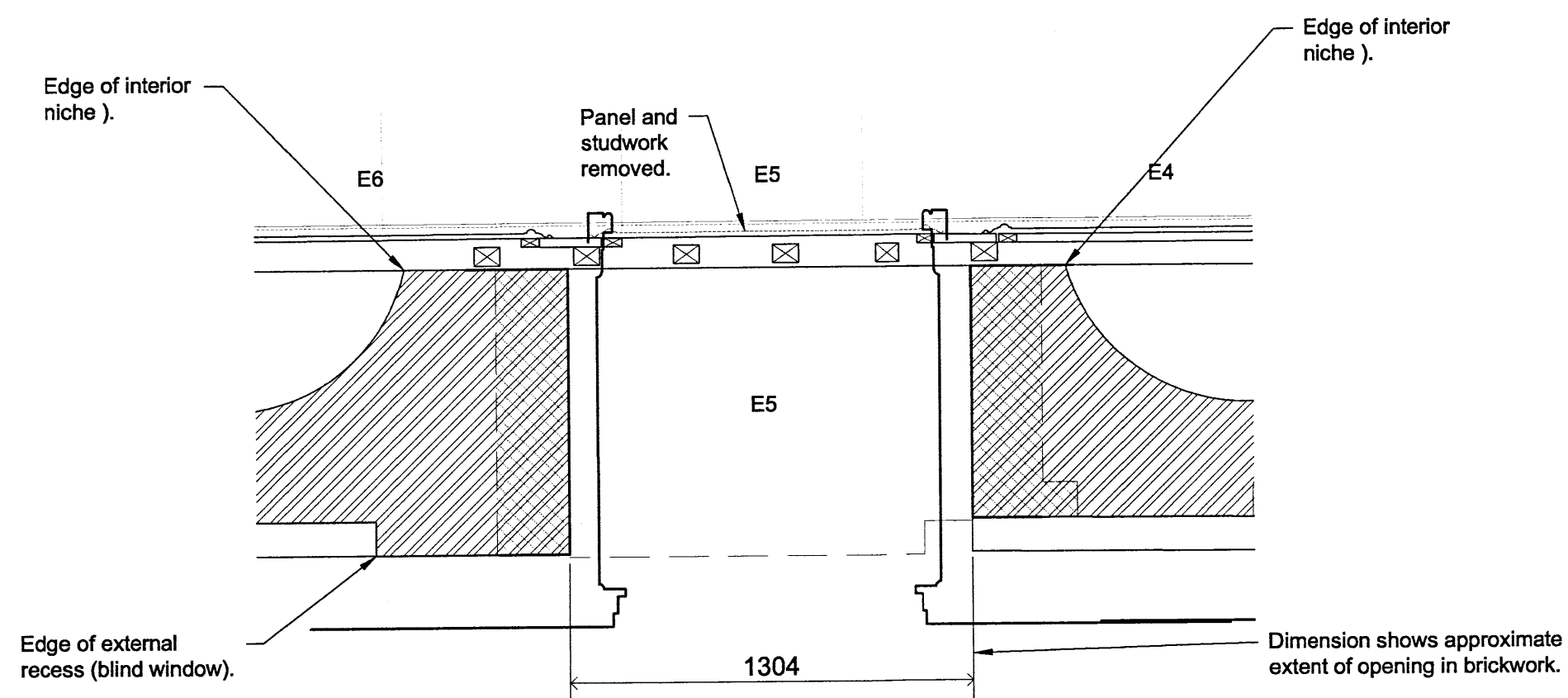


ORANGERY EASTERN END OF NORTH ELEVATION (1:100 @A1)



E5
1296



PLAN OF OPENING (E5) IN NORTH WALL (1:20 @A1)

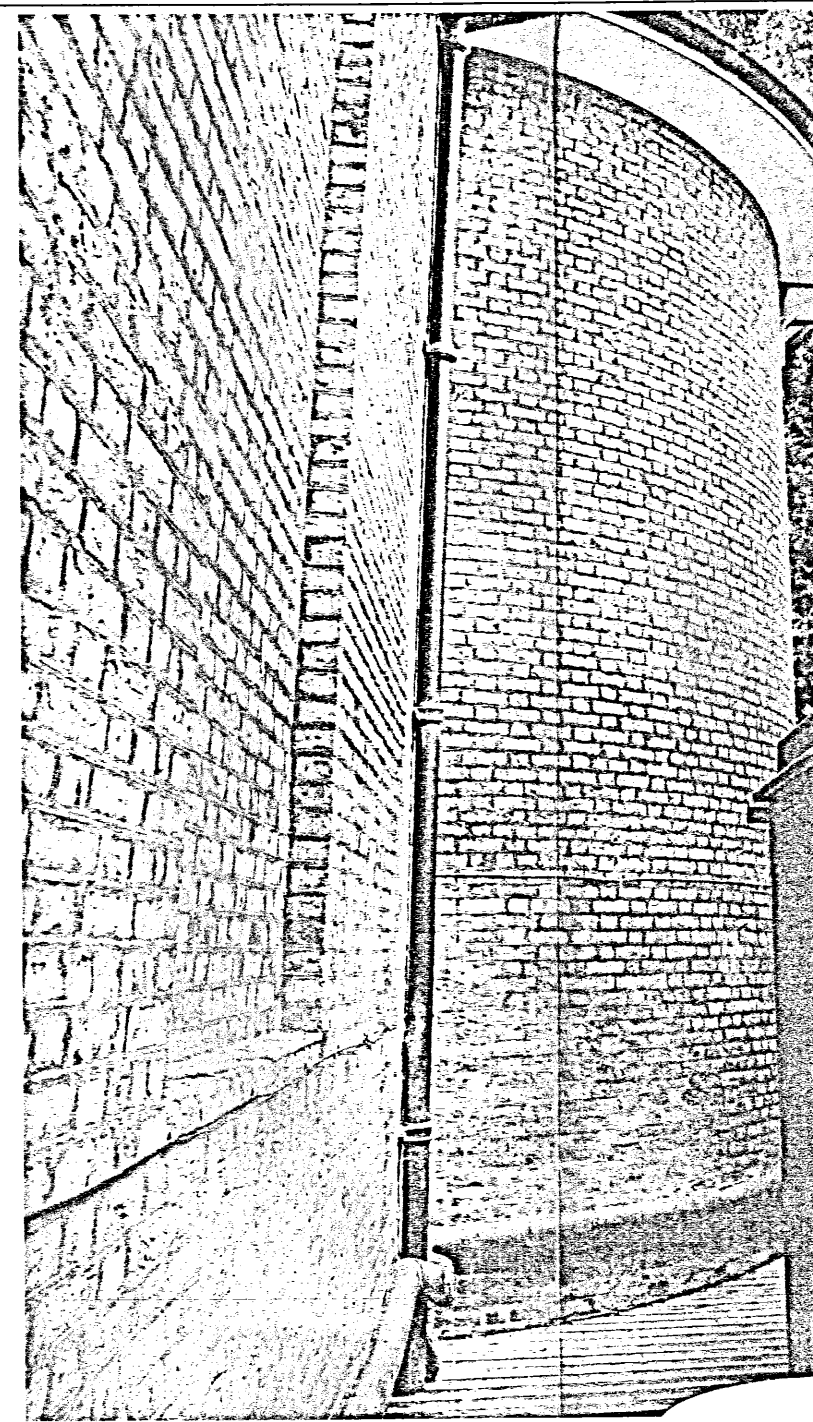
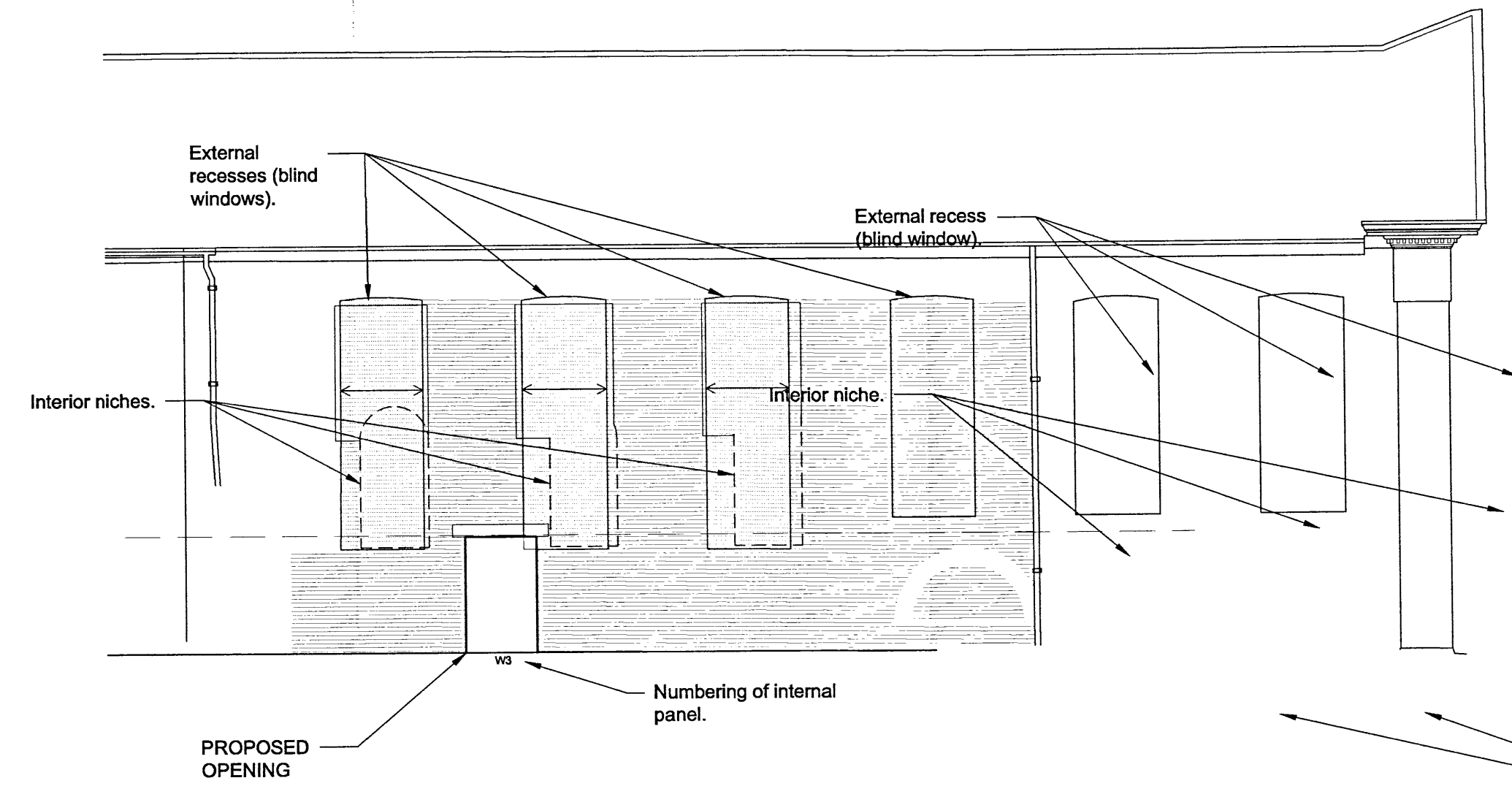
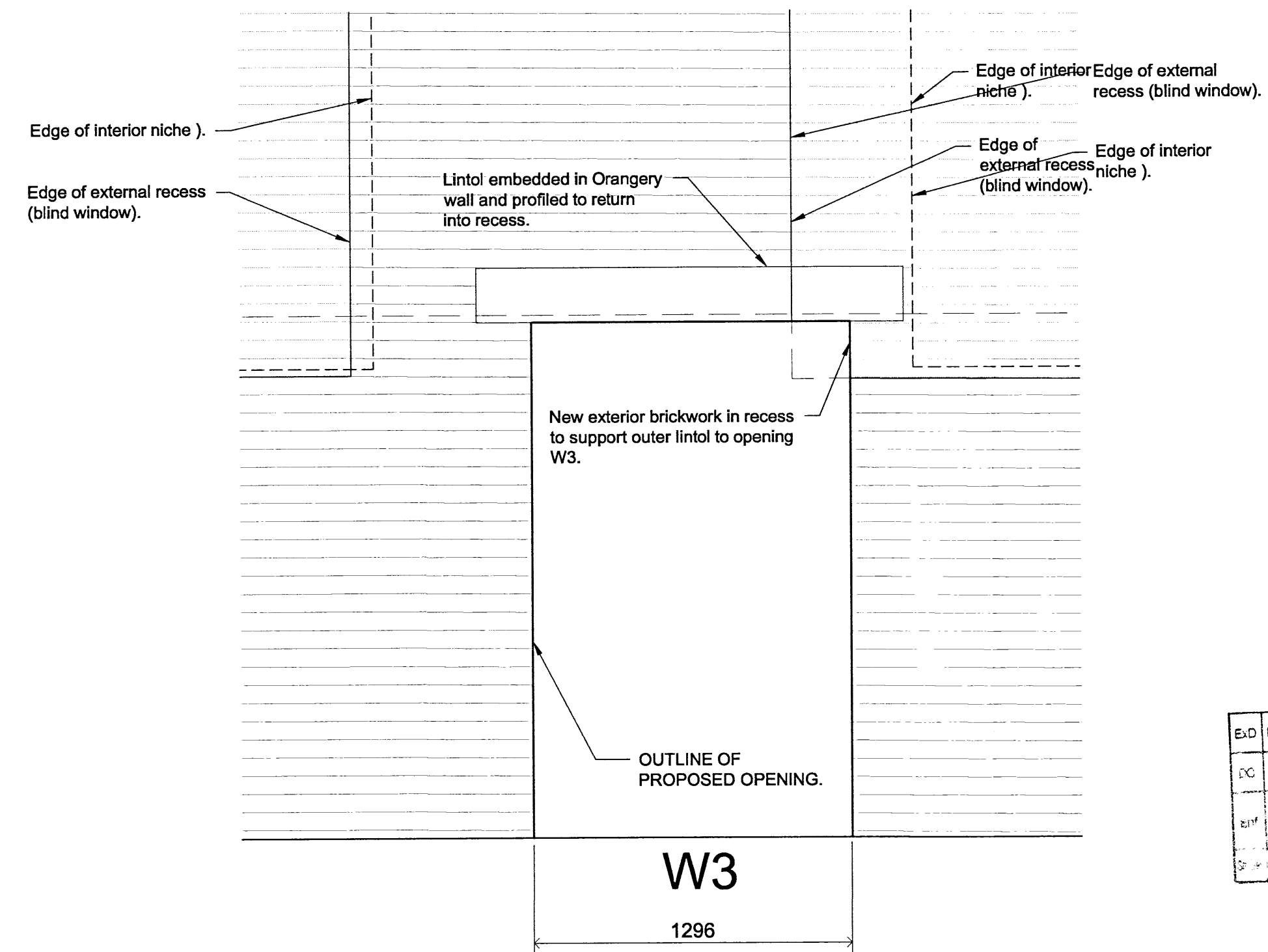


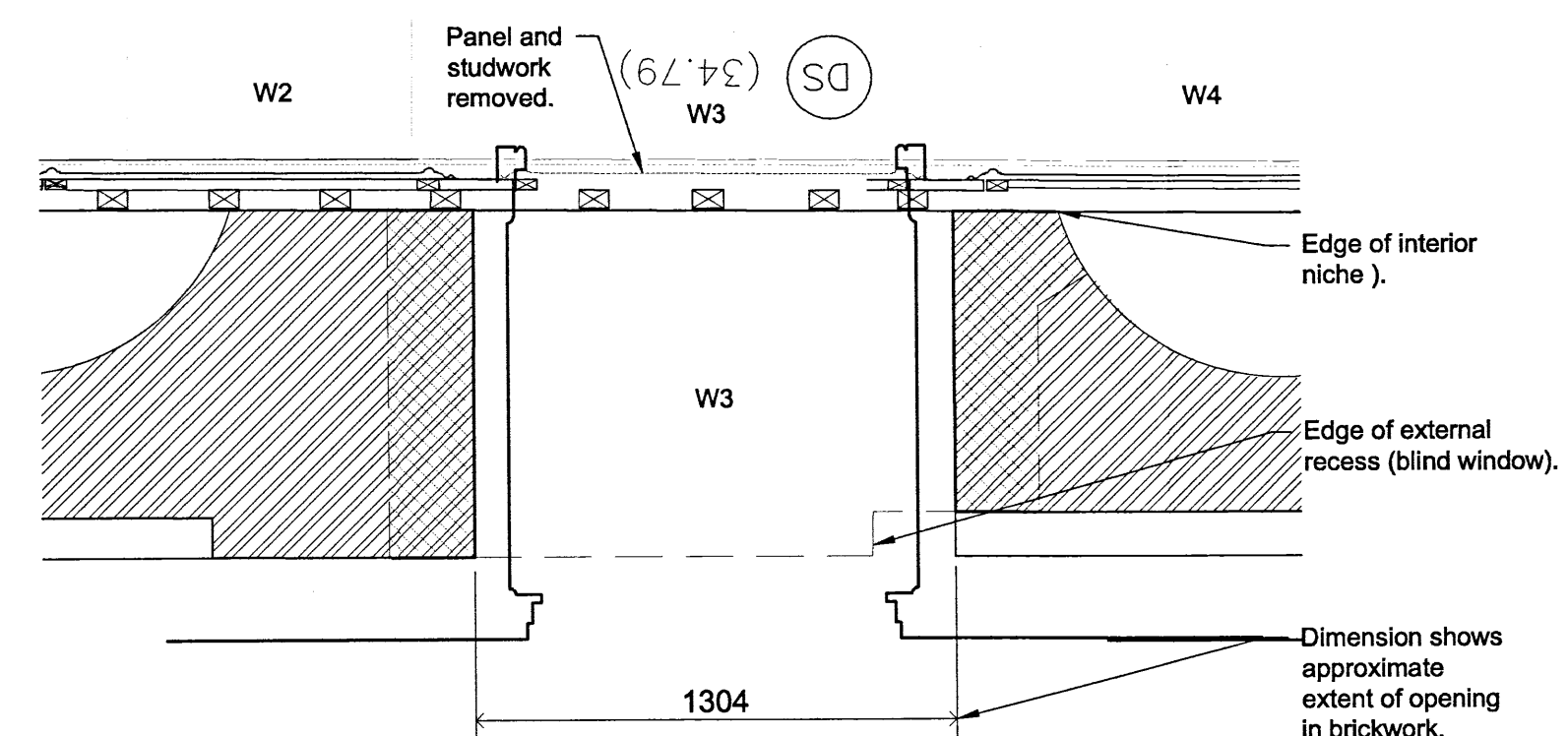
Photo of typical existing external recess (blind window).



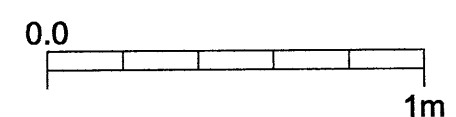
ORANGERY WESTERN END OF NORTH ELEVATION (1:100 @A1)



DETAILED ELEVATIONS OF OPENINGS IN NORTH WALL (1:20 @A1)



PLAN OF OPENING (W3) IN NORTH WALL (1:20 @A1)



NOTES:

PROPOSED OPENINGS.
KEY TO HATCH:
Area of existing brickwork to be stripped out to accommodate new lintols. Subsequent repairs to faces of niches and new openings where bricks are damaged is to be confirmed.

STATUS: PLANNING

CLIENT:
HISTORIC ROYAL PALACES

PROJECT:
KENSINGTON PALACE
ORANGERY YARD

LIAM O'CONNOR
ARCHITECTS
AND PLANNING CONSULTANTS
75 COWCROSS STREET
LONDON EC1M 6EL
TEL.NO: 0207 250 1983
FAX.NO: 0207 251 6310
E-MAIL: info@liamconnor.com

DRAWING TITLE:
PROPOSED STRUCTURAL
OPENINGS IN NORTH WALL

SCALE: 1:100@A1 DATE: 17.02.17 DRAWN:
1:20@A1 CHECKED:

DRAWING NUMBER: KPO-PL-20.1 REVISION: