



1 Type 1 - 1B2P 50.65 sq m  
Scale: 1:50



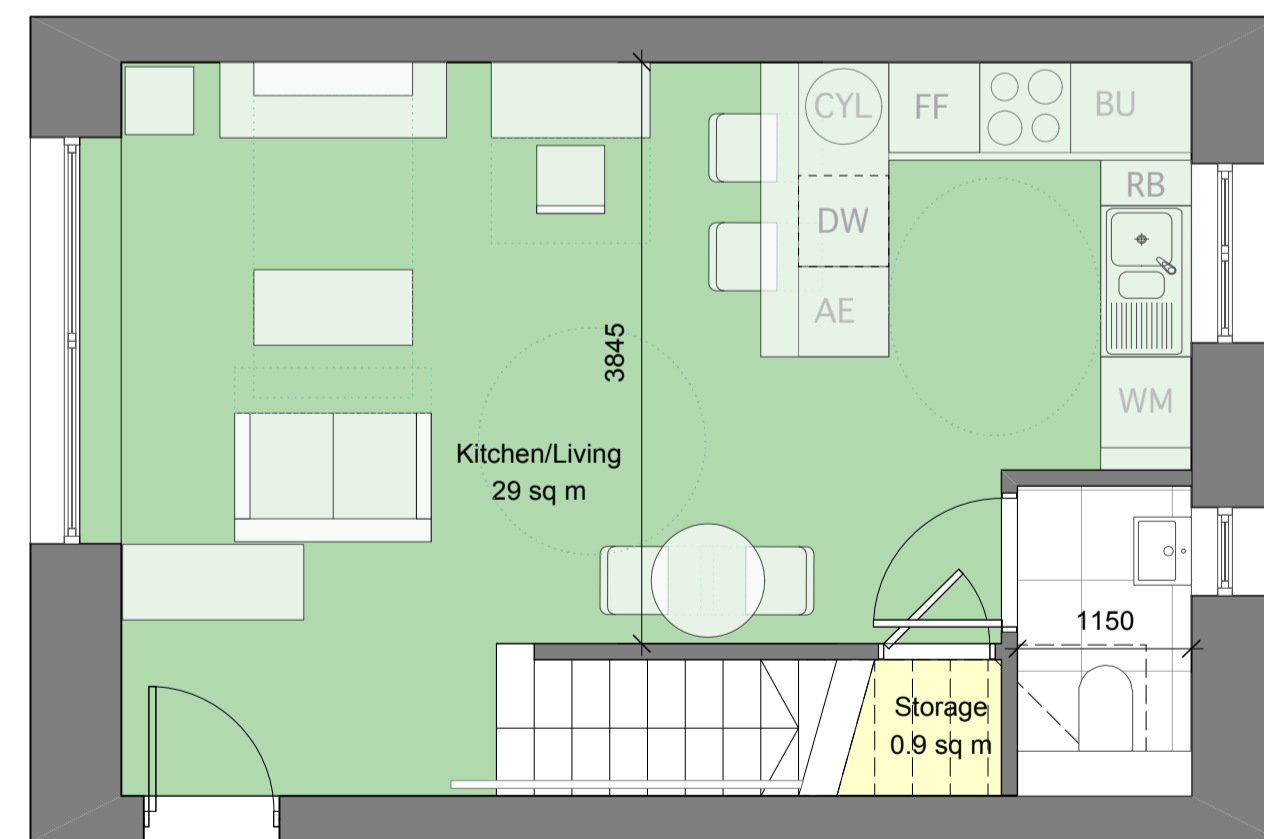
2 Type 2 - 1B1P 47.04 sq m  
Scale: 1:50



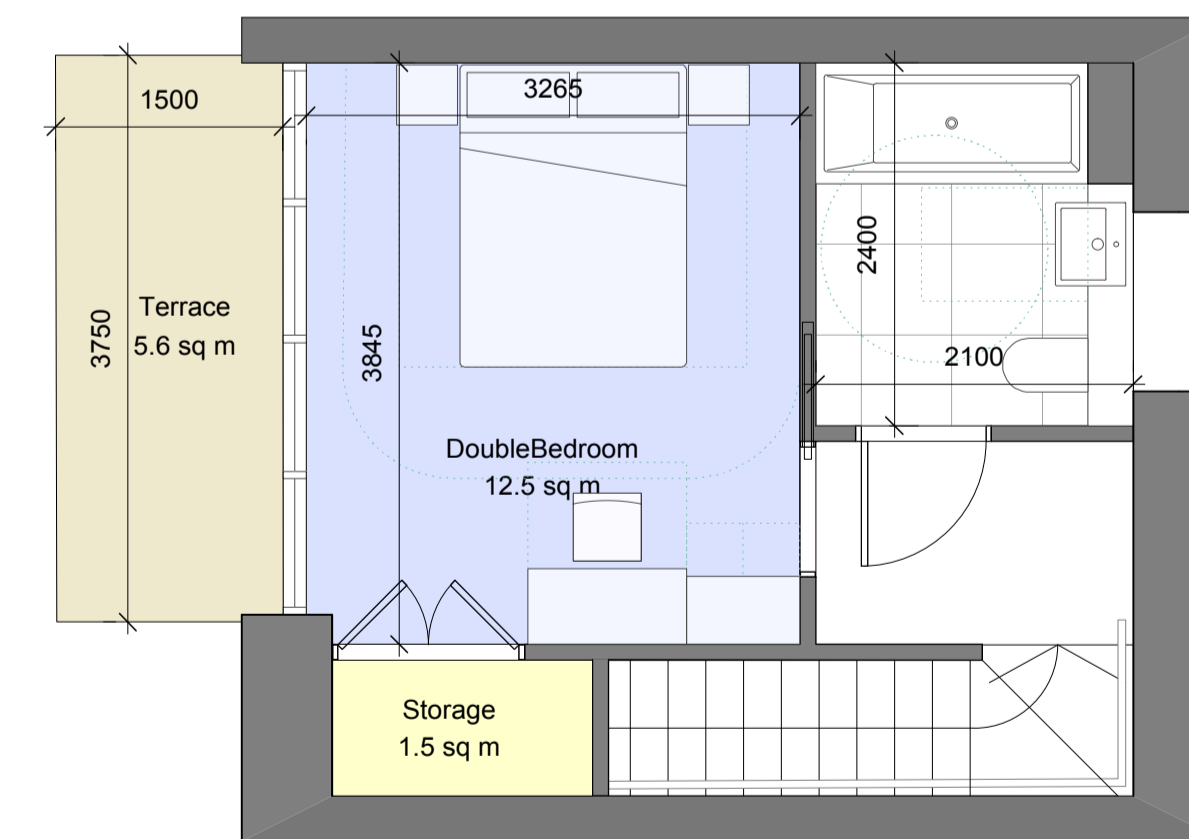
3 Type 3 - 1B1P 50.28 sq m  
Scale: 1:50



4 Type 10 - 1B2P 54.17 sq m  
Scale: 1:50

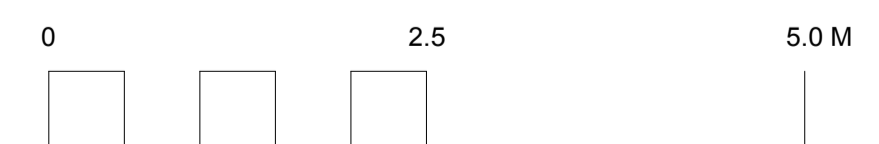


5 Type 9 - 1B2P 58.2 sq m  
Scale: 1:50



Third Floor

Second Floor



GENERAL NOTES:  
Do not scale from this drawing.  
Check drawing on receipt and immediately report any discrepancies to the Architect.  
Verify all dimensions and levels on site prior to construction.  
The contents of this drawing are Stiff + Trevillion Architects LLP copyright and shall not be re-used without their written permission.

No. Date Revision Notes

PLANNING

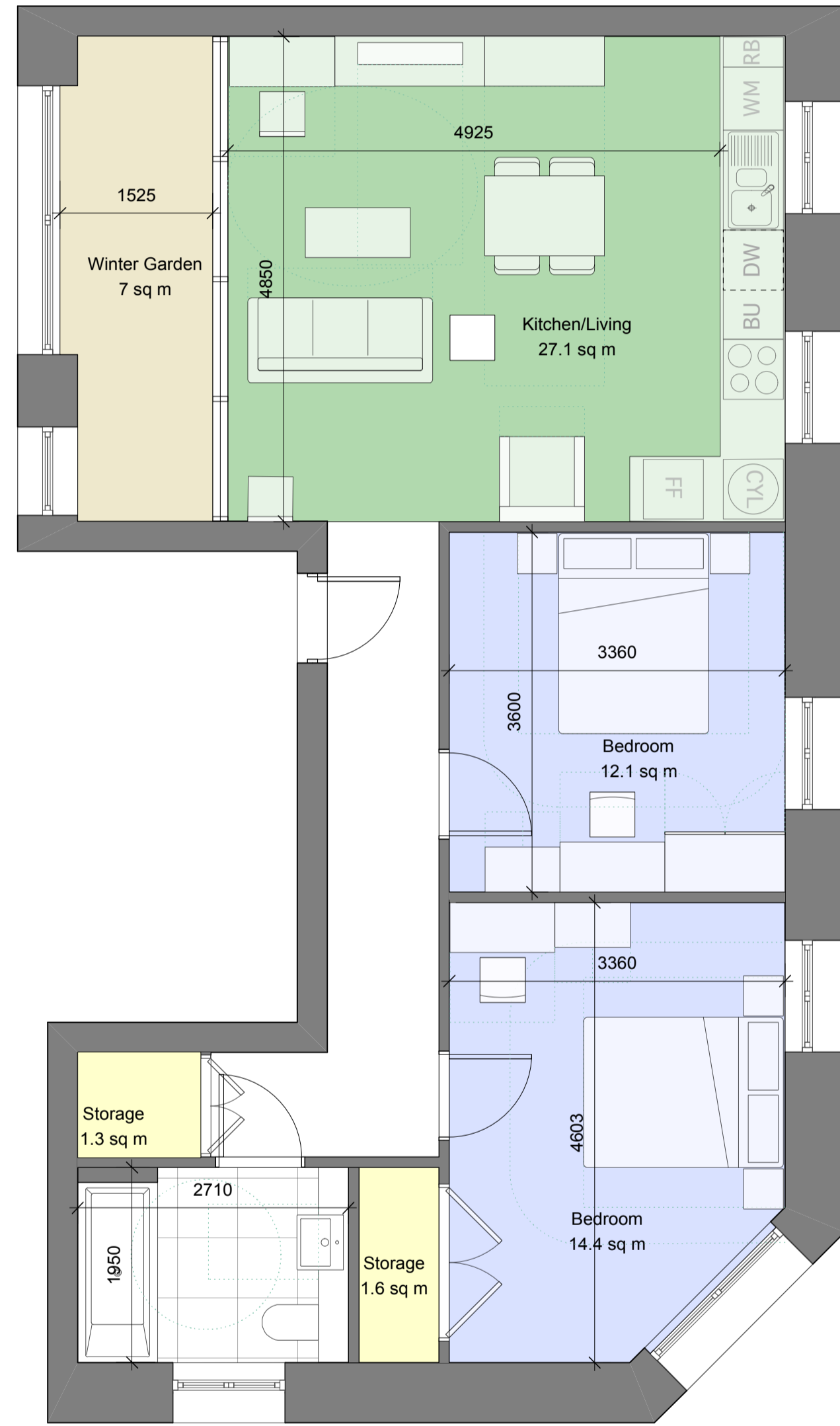
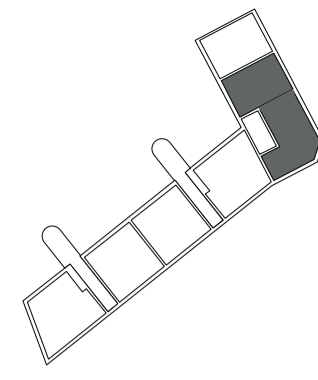
Stiff + Trevillion

Stiff + Trevillion Architects Ltd  
16 Woodfield Road  
London W9 2BE  
T +44(0)20 8960 5550  
F +44(0)20 8969 8668  
mail@stiffandtrevillion.com  
www.stiffandtrevillion.com

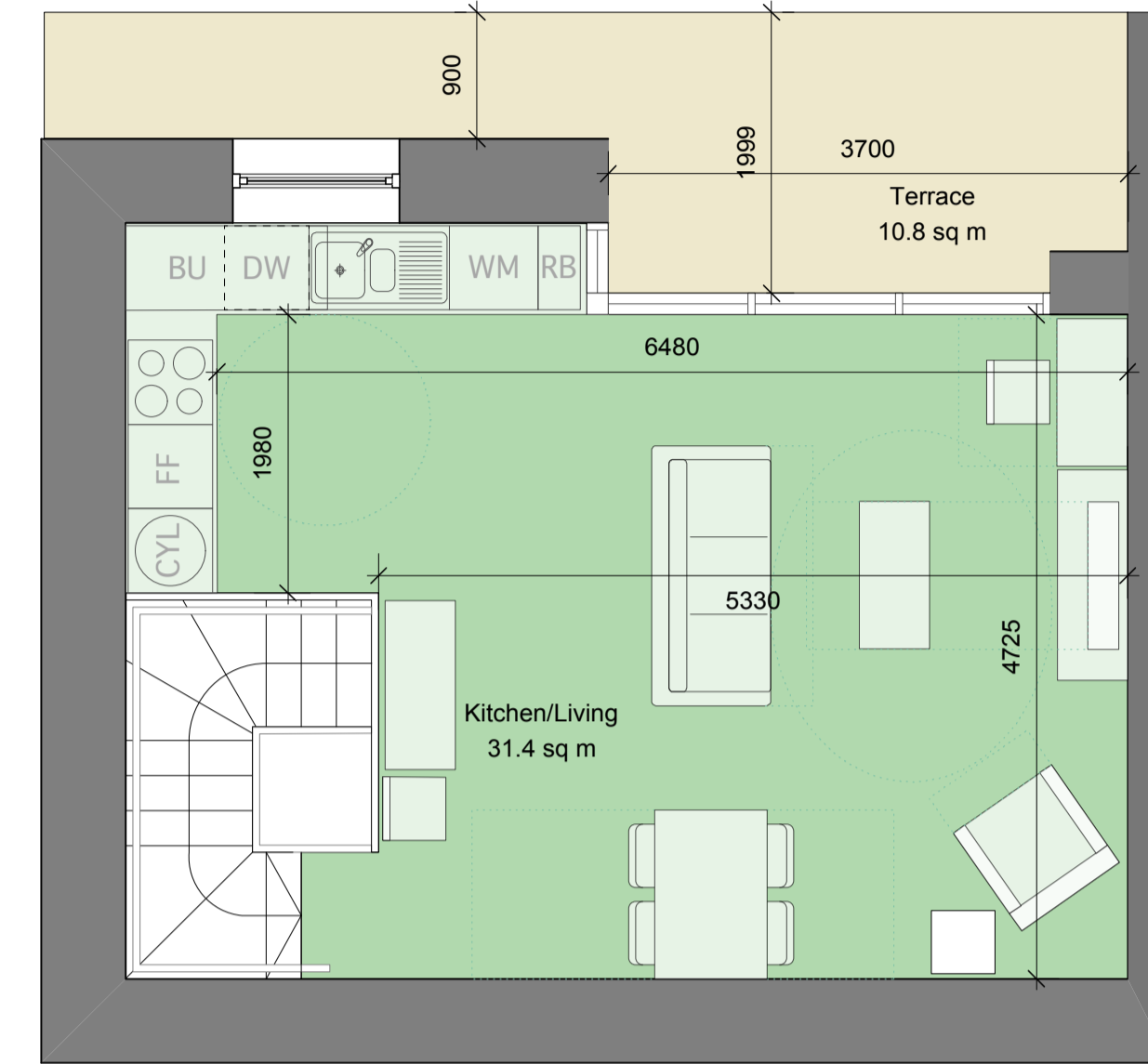
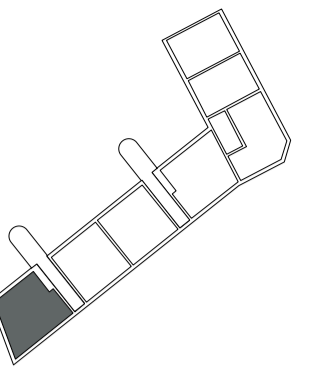
Project PORTOBELLO SCHEME  
LONDON W11

Drawing SITE C PROPOSED  
1 BED UNIT TYPES

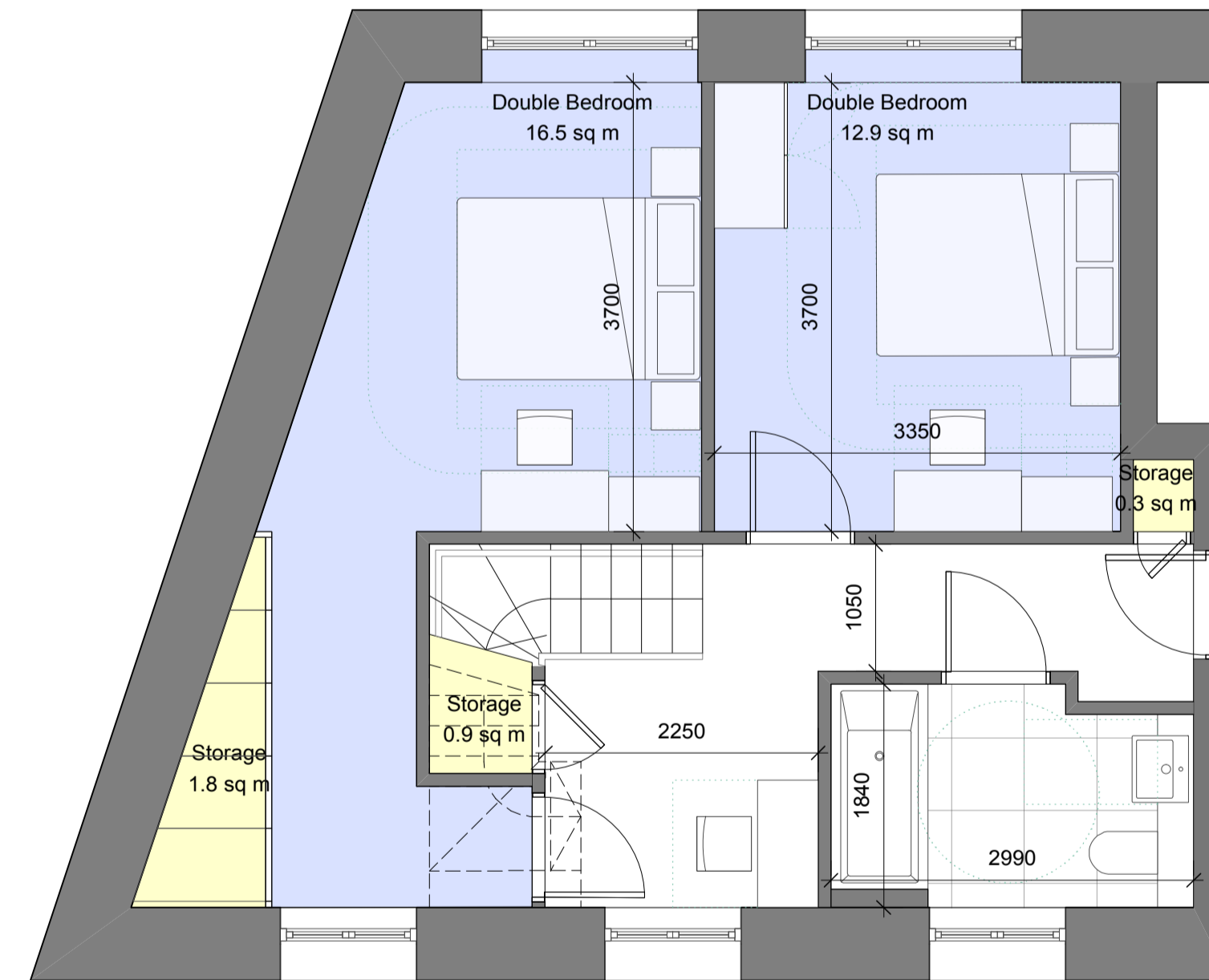
Project No <b>3829</b>	Drawing No <b>ST-C-PR[06]101</b>	Revision <b>D</b>
Scale 1:50 @ A1 Scale 1:100 @ A3	Date APR 2016	Revised 27/02/17



1 Type 4 - 2B4P 72.3 sq m  
Scale: 1:50

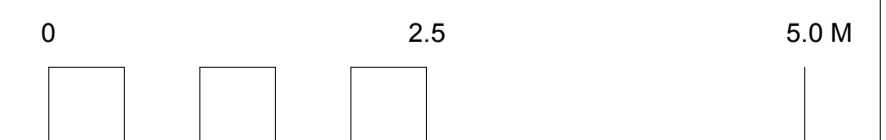


Third Floor



Second Floor

2 Type 5 - 2B4P 82.4 sq m  
Scale: 1:50



GENERAL NOTES:  
Do not scale from this drawing.  
Check drawing on receipt and immediately report any discrepancies to the Architect. Verify all dimensions and levels on site prior to construction.  
The contents of this drawing are Stiff + Trevillion Architects LLP copyright and shall not be re-used without their written permission.

No.	Date	Revision Notes

## PLANNING

**Stiff + Trevillion**

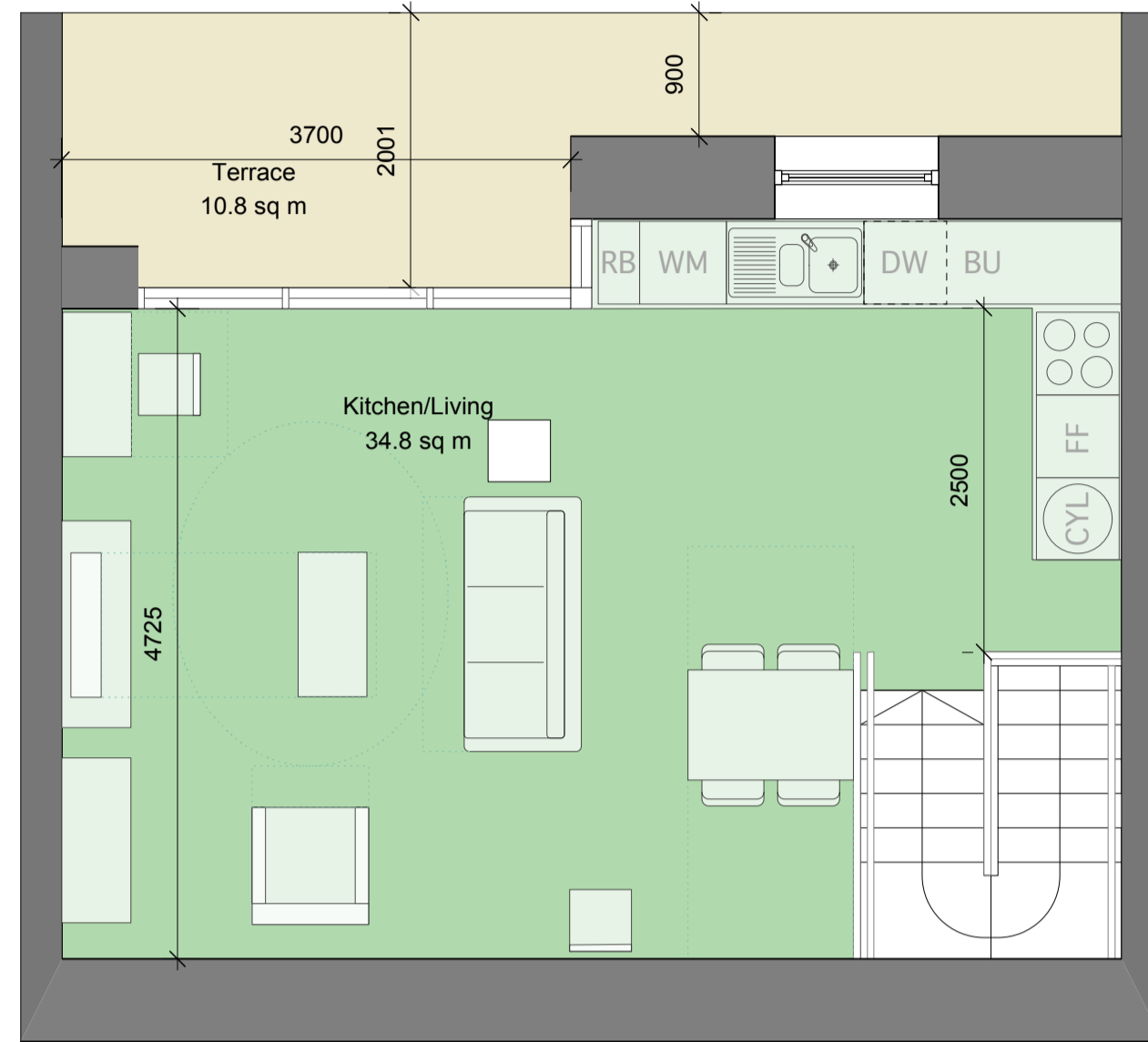
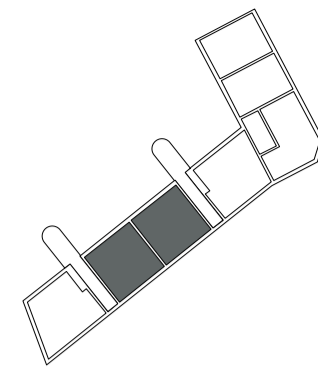
Stiff + Trevillion Architects Ltd  
16 Woodfield Road  
London W9 2BE  
T +44(0)20 8960 5550  
F +44(0)20 8969 8668  
mail@stiffandtrevillion.com  
www.stiffandtrevillion.com

Project **PORTOBELLO SCHEME LONDON W11**

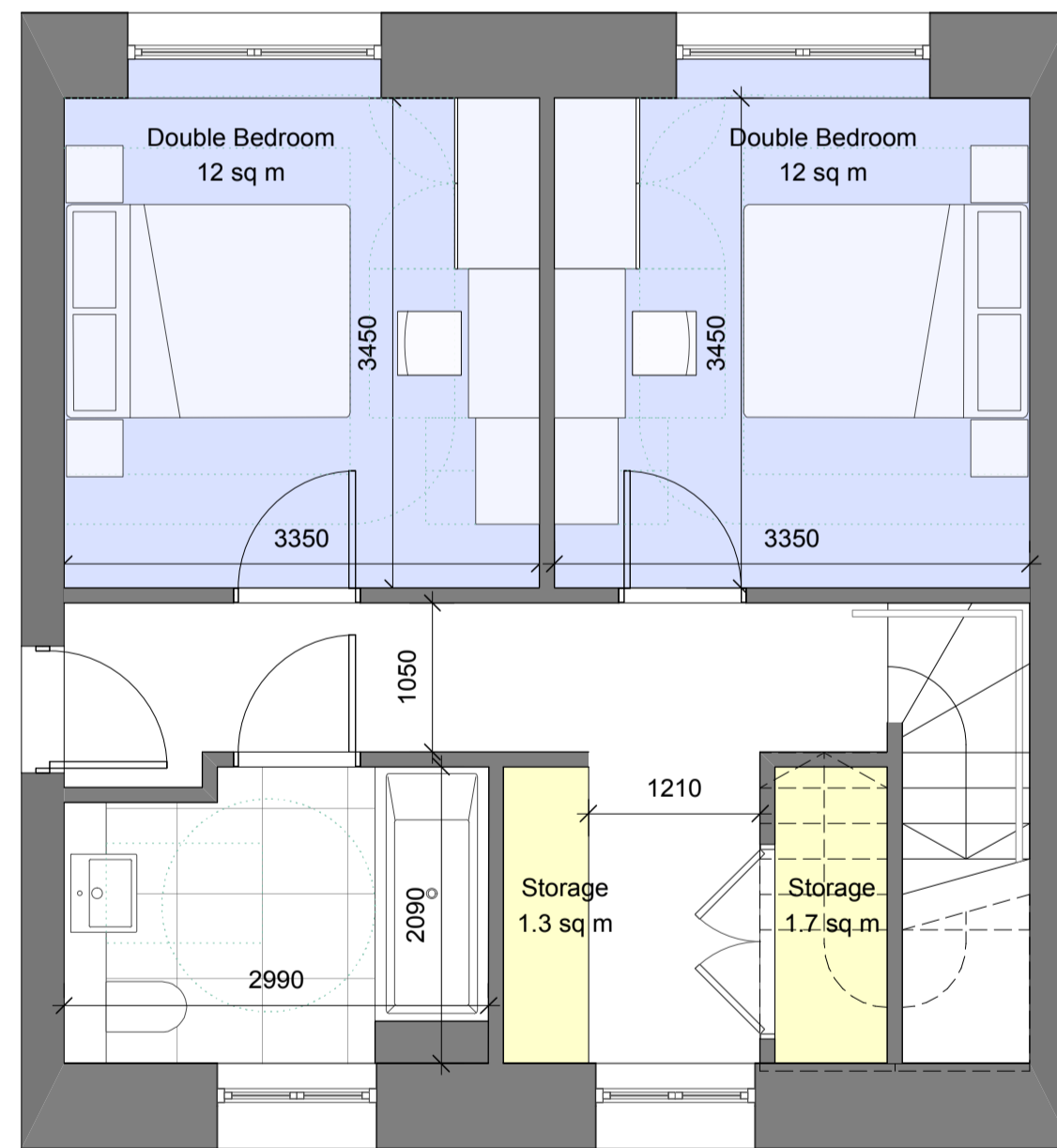
Drawing **SITE C PROPOSED 2 BED UNIT TYPES**

Project No	Drawing No	Revision
<b>3829</b>	<b>ST-C-PR[06]102</b>	<b>D</b>

Scale	Date	Revised
1:50 @ A1 Scale 1:100 @ A3	APR 2016	24/01/17

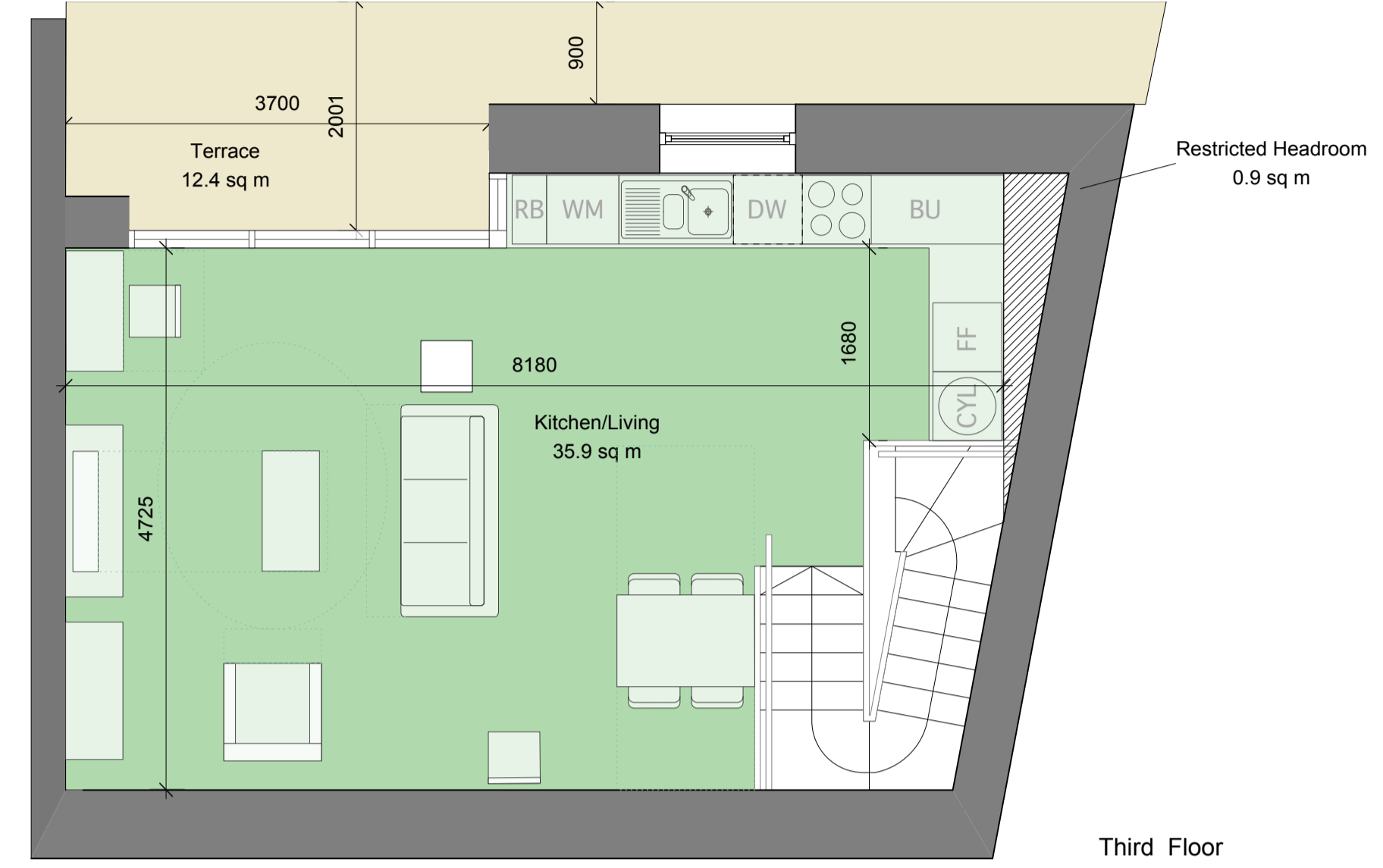
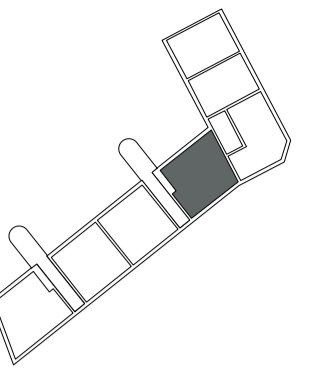


Third Floor

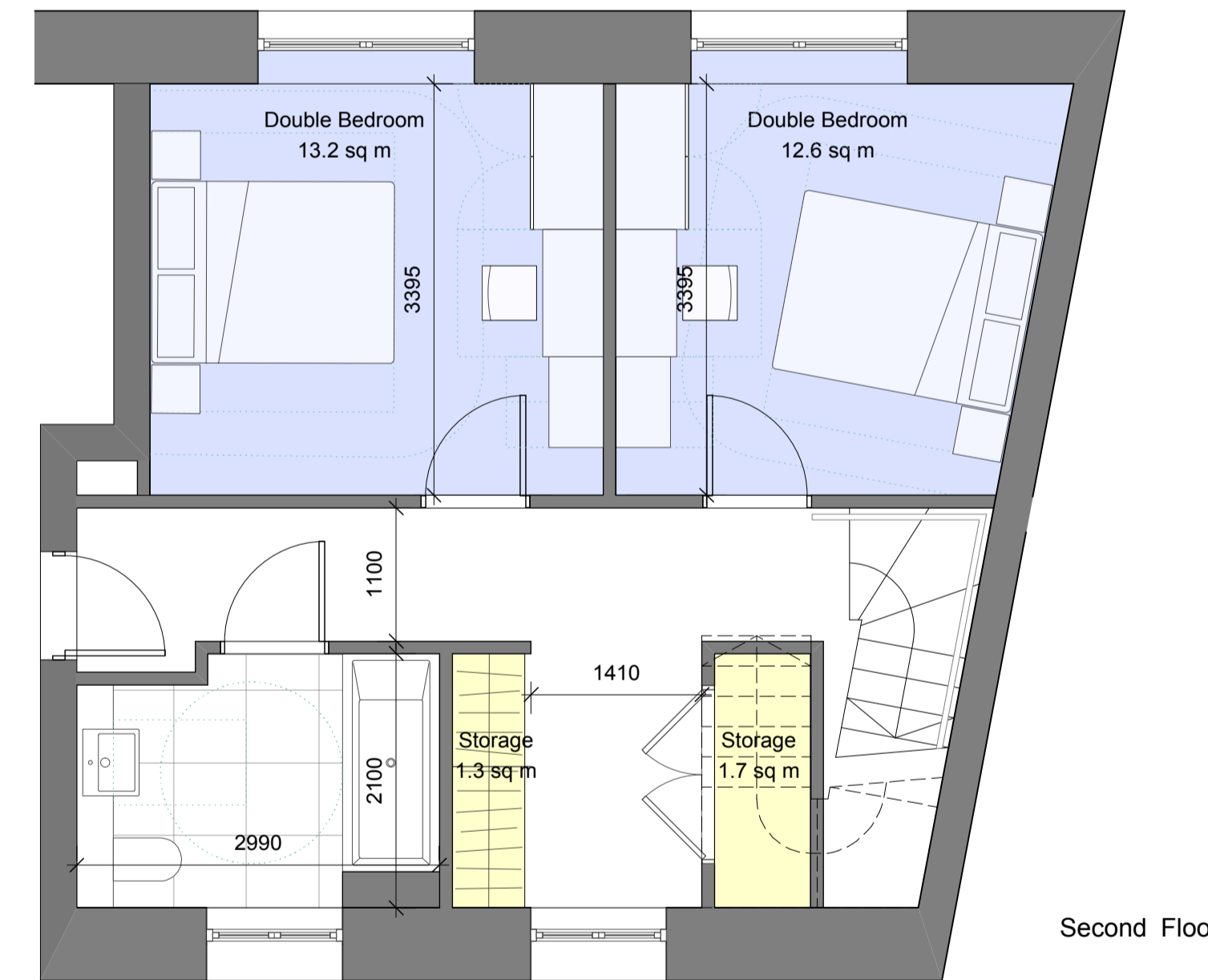


Second Floor

3 Type 6 - 2B3P 82.2 sq m  
Scale: 1:50

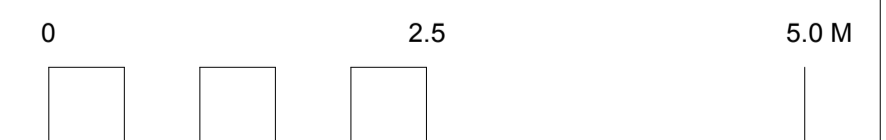


Third Floor



Second Floor

4 Type 7 - 2B4P 86.6 sq m  
Scale: 1:50



GENERAL NOTES:  
Do not scale from this drawing.  
Check drawing on receipt and immediately report any discrepancies to the Architect.  
Verify all dimensions and levels on site prior to construction.  
The contents of this drawing are Stiff + Trevillion Architects LLP copyright and shall not be re-used without their written permission.

No.	Date	Revision Notes

PLANNING

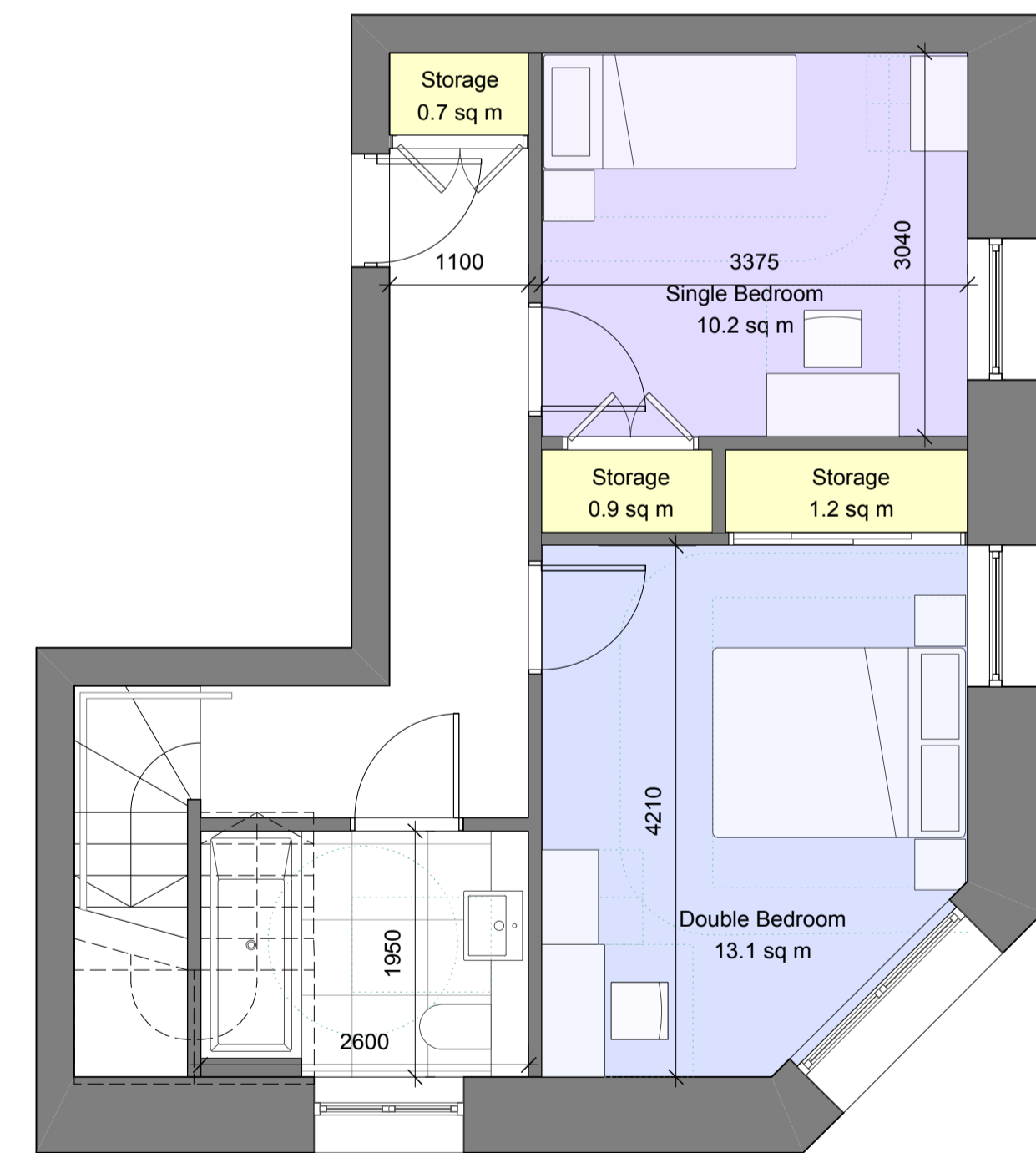
Stiff + Trevillion

Stiff + Trevillion Architects Ltd  
16 Woodfield Road  
London W9 2BE  
T +44(0)20 8960 5550  
F +44(0)20 8969 8668  
mail@stiffandtrevillion.com  
www.stiffandtrevillion.com

Project <b>PORTOBELLO SCHEME LONDON W11</b>		
Drawing <b>SITE C PROPOSED 2 BED UNIT TYPES</b>		
Project No <b>3829</b>	Drawing No <b>ST-C-PR[06]103</b>	Revision <b>D</b>
1:50 @ A1 Scale 1:100 @ A3	Date <b>APR 2016</b>	Revised <b>24/01/17</b>

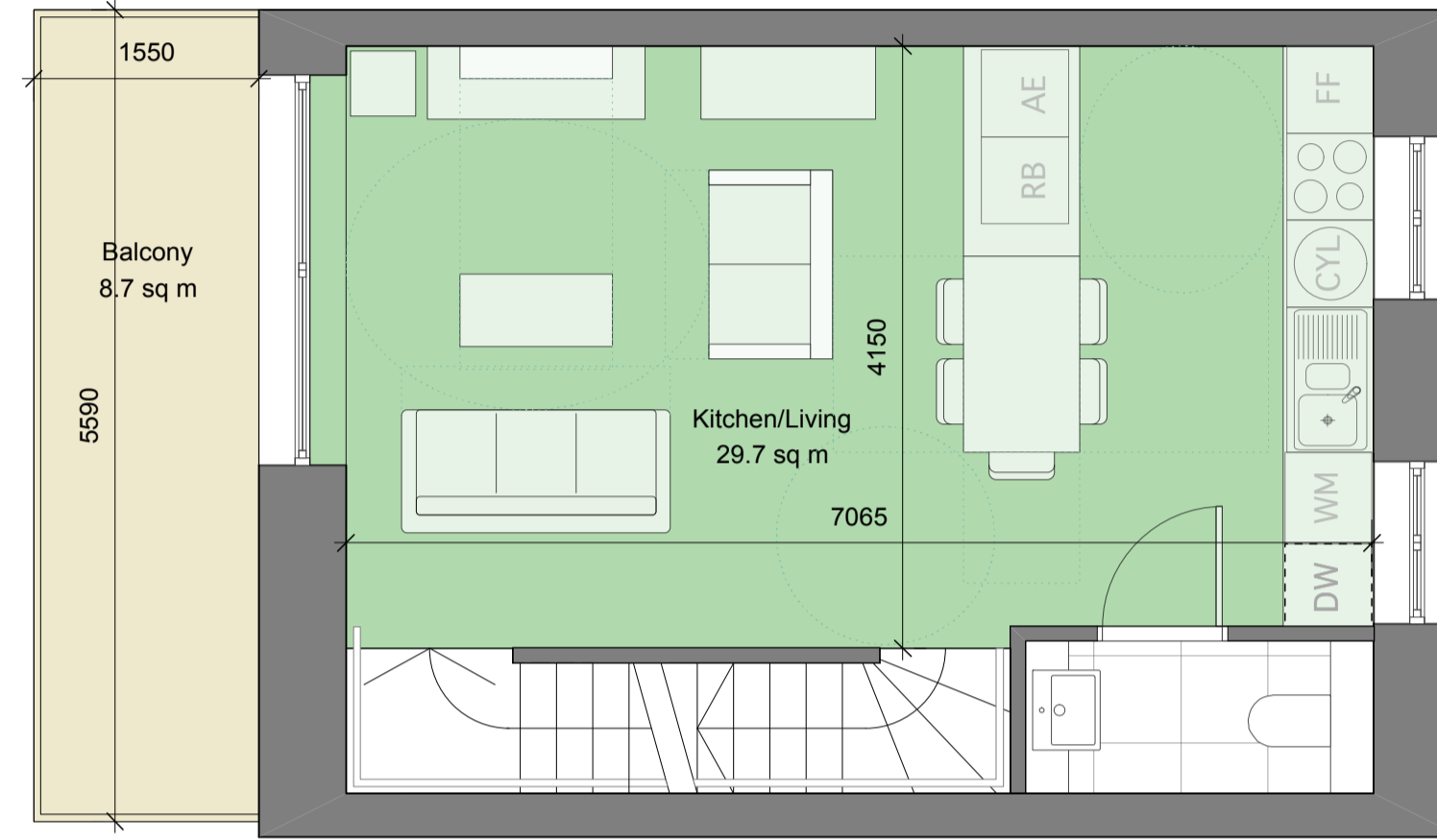


Third Floor

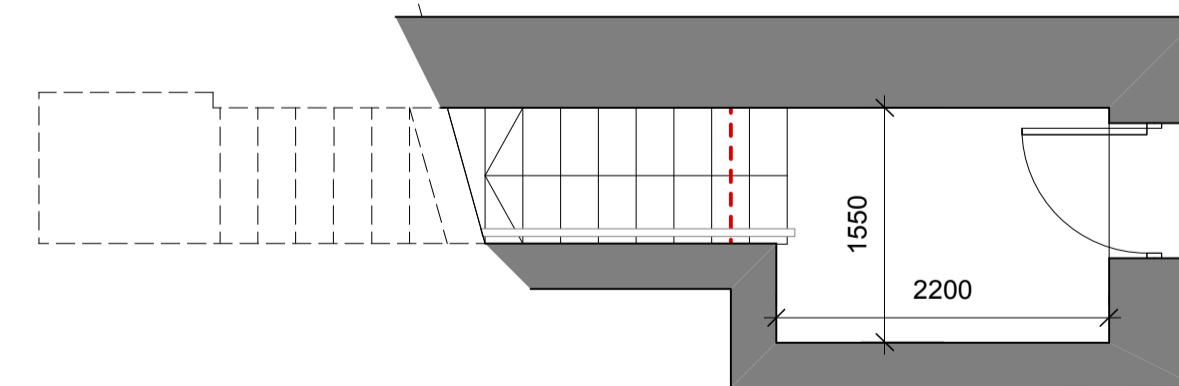


Second Floor

1 Type 8 - 3B4P 89.9 sq m  
Scale: 1:50

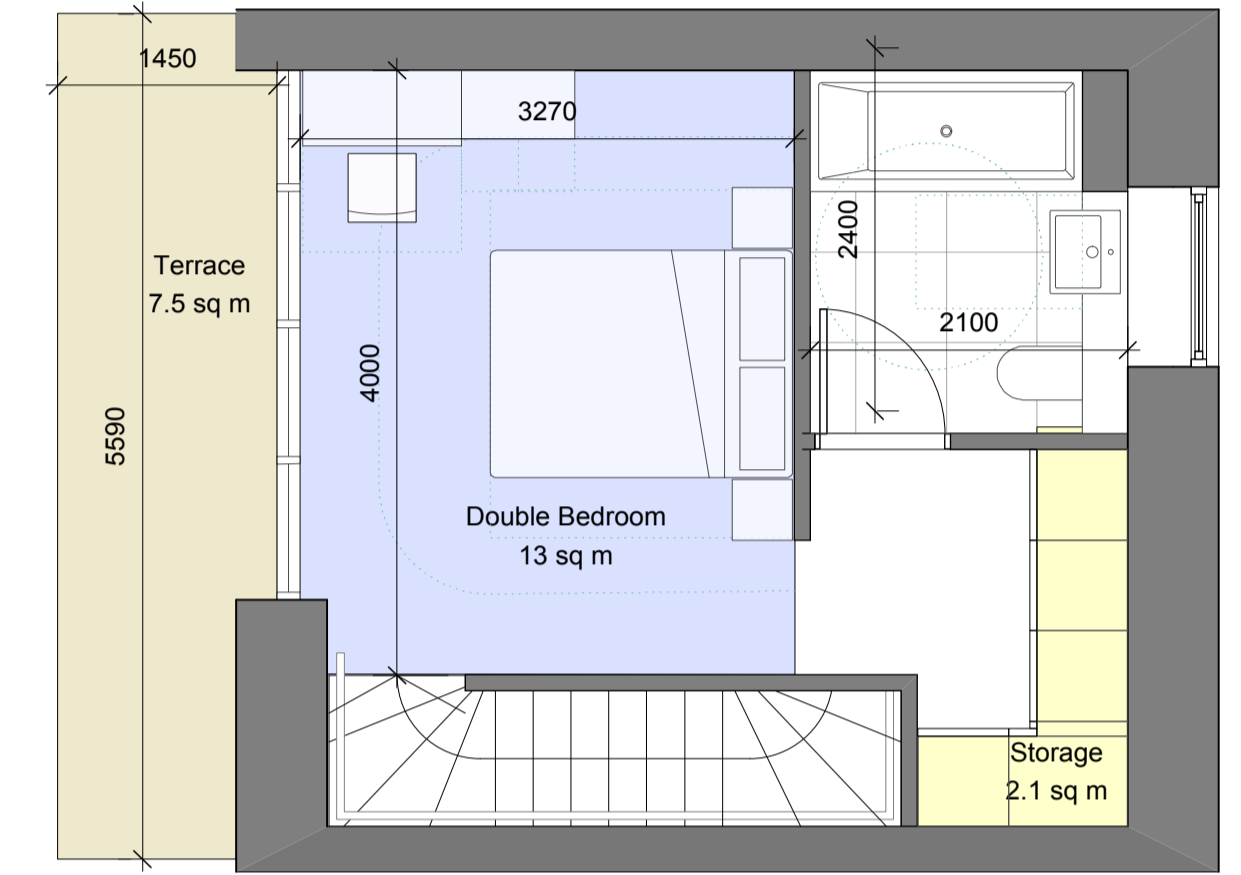


First Floor

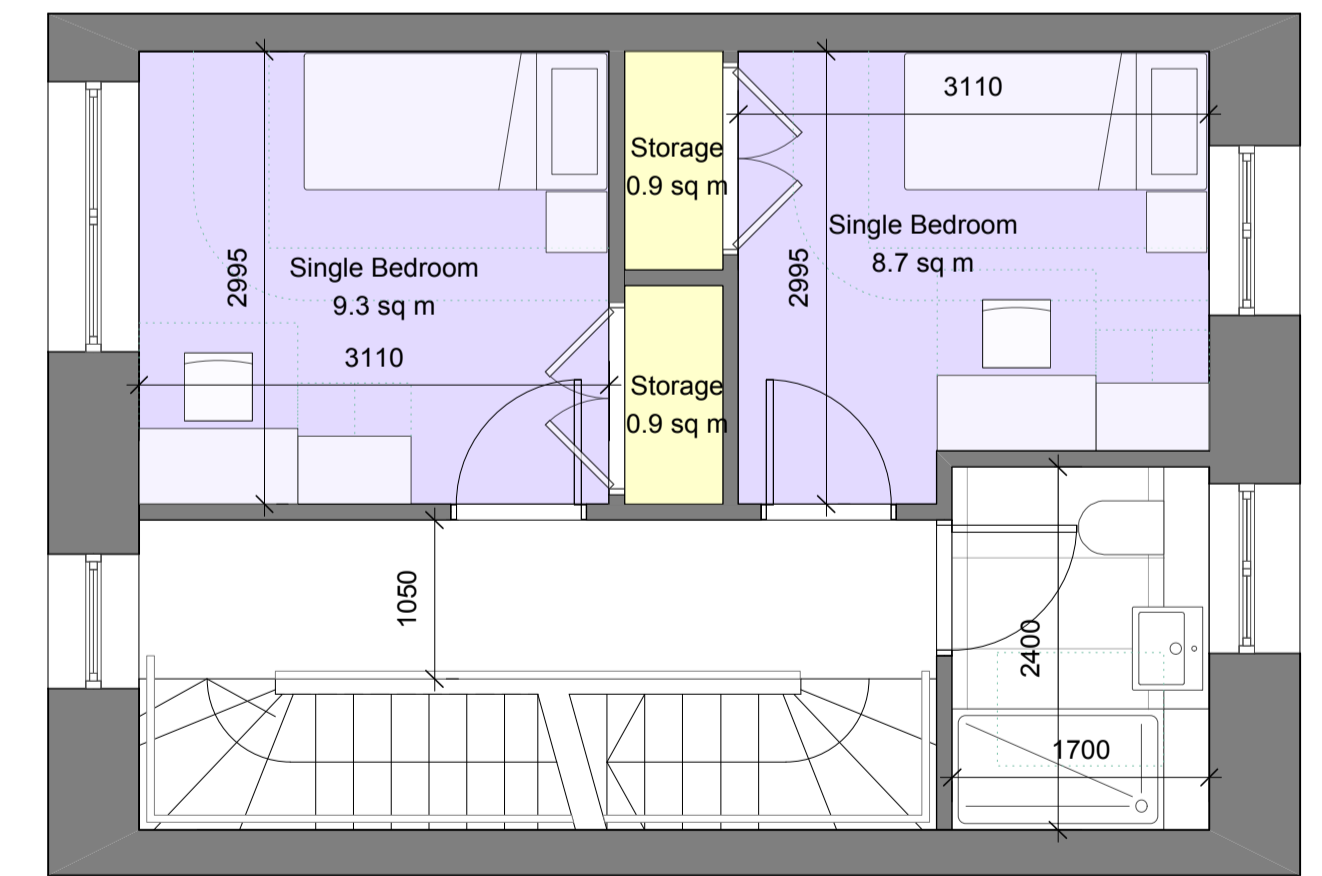


Ground Floor

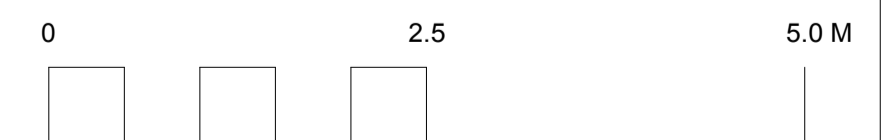
3 Type 11- 3B5P 96.0 sq m  
Scale: 1:50



Third Floor



Second Floor



GENERAL NOTES:  
Do not scale from this drawing.  
Check drawing on receipt and immediately report any discrepancies to the Architect.  
Verify all dimensions and levels on site prior to construction.  
The contents of this drawing are Stiff + Trevillion Architects LLP copyright and shall not be re-used without their written permission.

No.	Date	Revision Notes

PLANNING

**Stiff + Trevillion**

Stiff + Trevillion Architects Ltd  
16 Woodfield Road  
London W9 2BE  
T +44(0)20 8960 5550  
F +44(0)20 8969 8668  
mail@stiffandtrevillion.com  
www.stiffandtrevillion.com

Project **PORTOBELLO SCHEME LONDON W11**

Drawing **SITE C PROPOSED 3 BED UNIT TYPES**

Project No	Drawing No	Revision
<b>3829</b>	<b>ST-C-PR[06]104</b>	<b>C</b>

1:100 @ A1 Scale 1:200 @ A3	Date APR 2016	Revised 31/01/17
--------------------------------	---------------	------------------