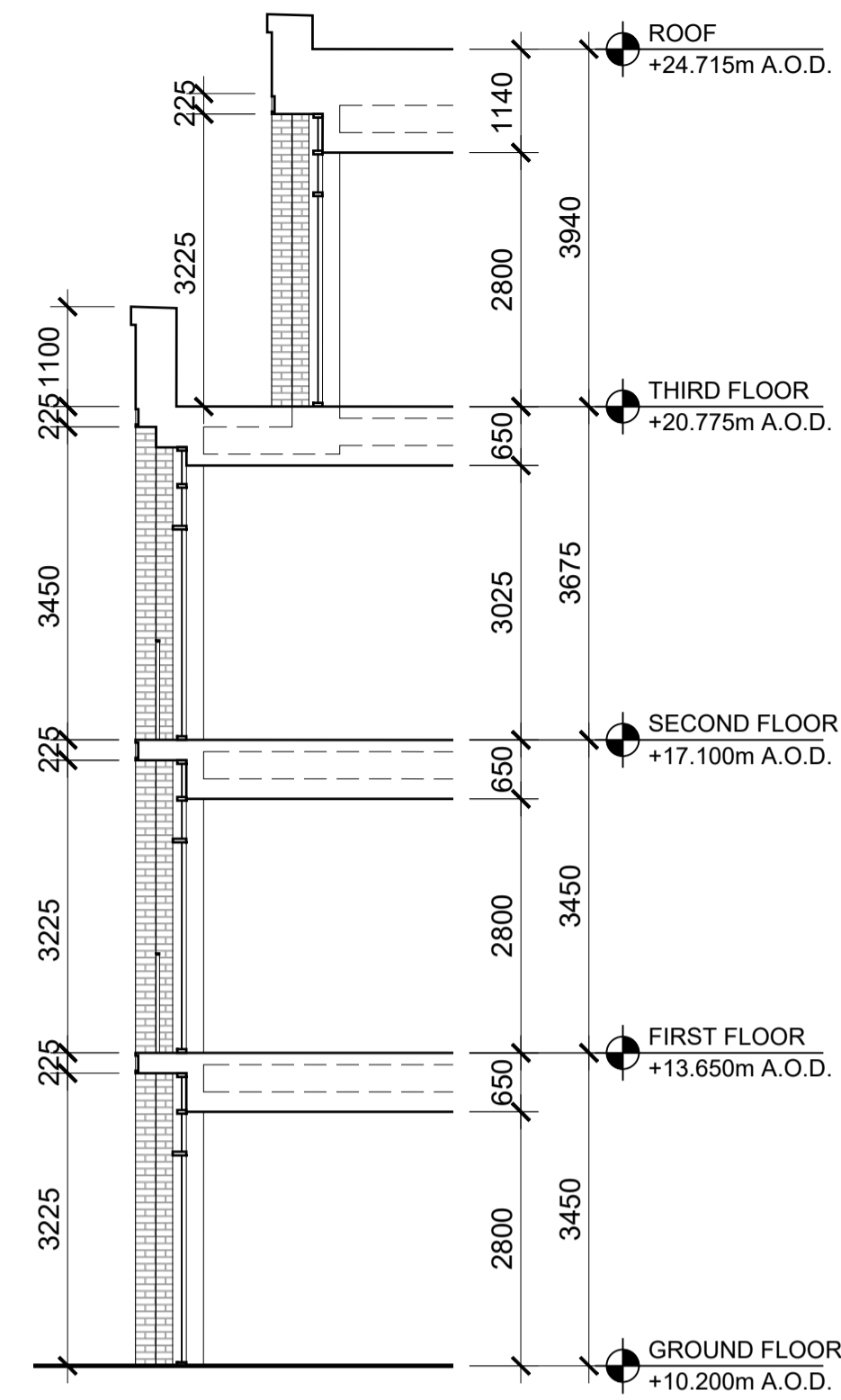
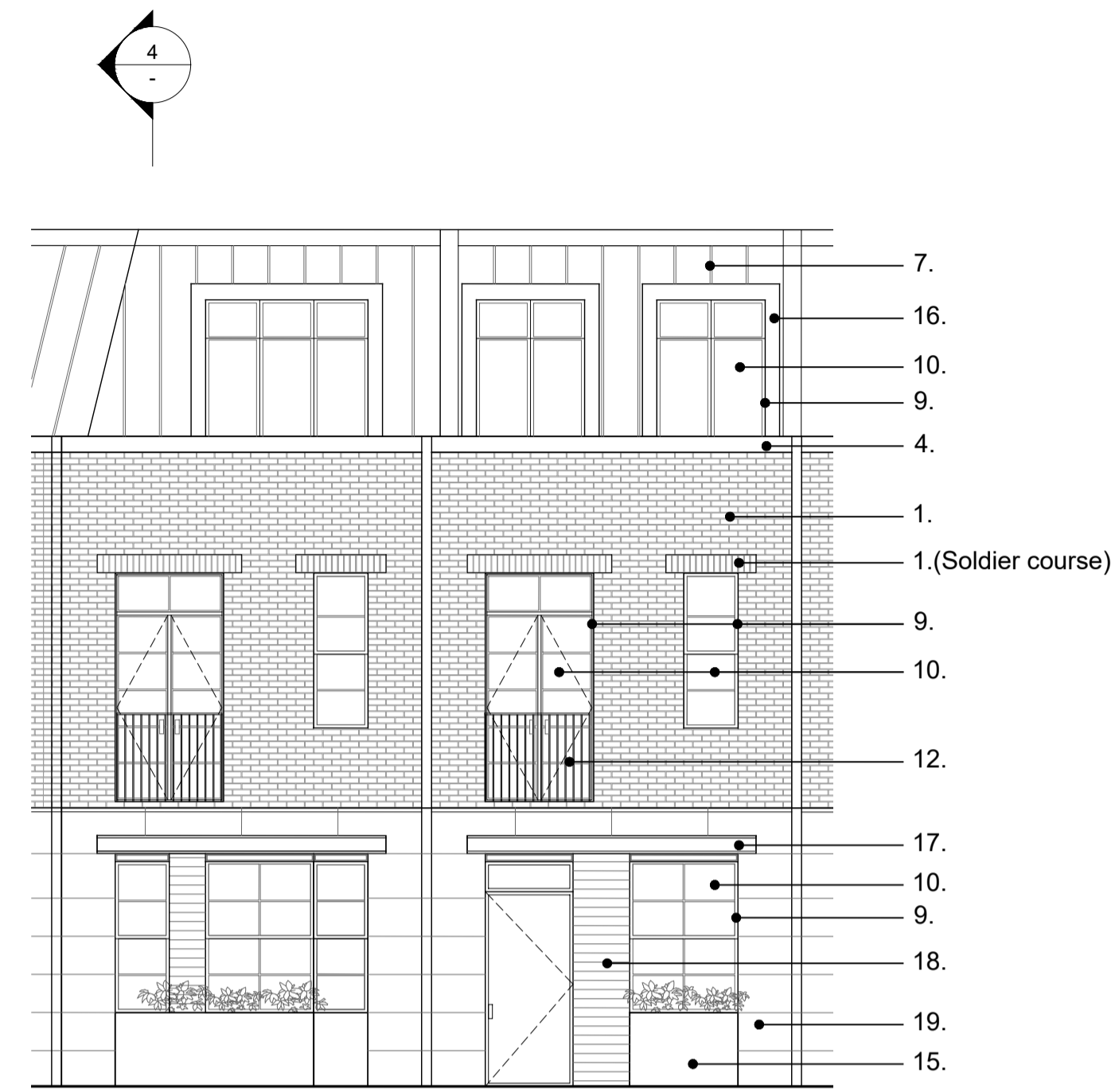


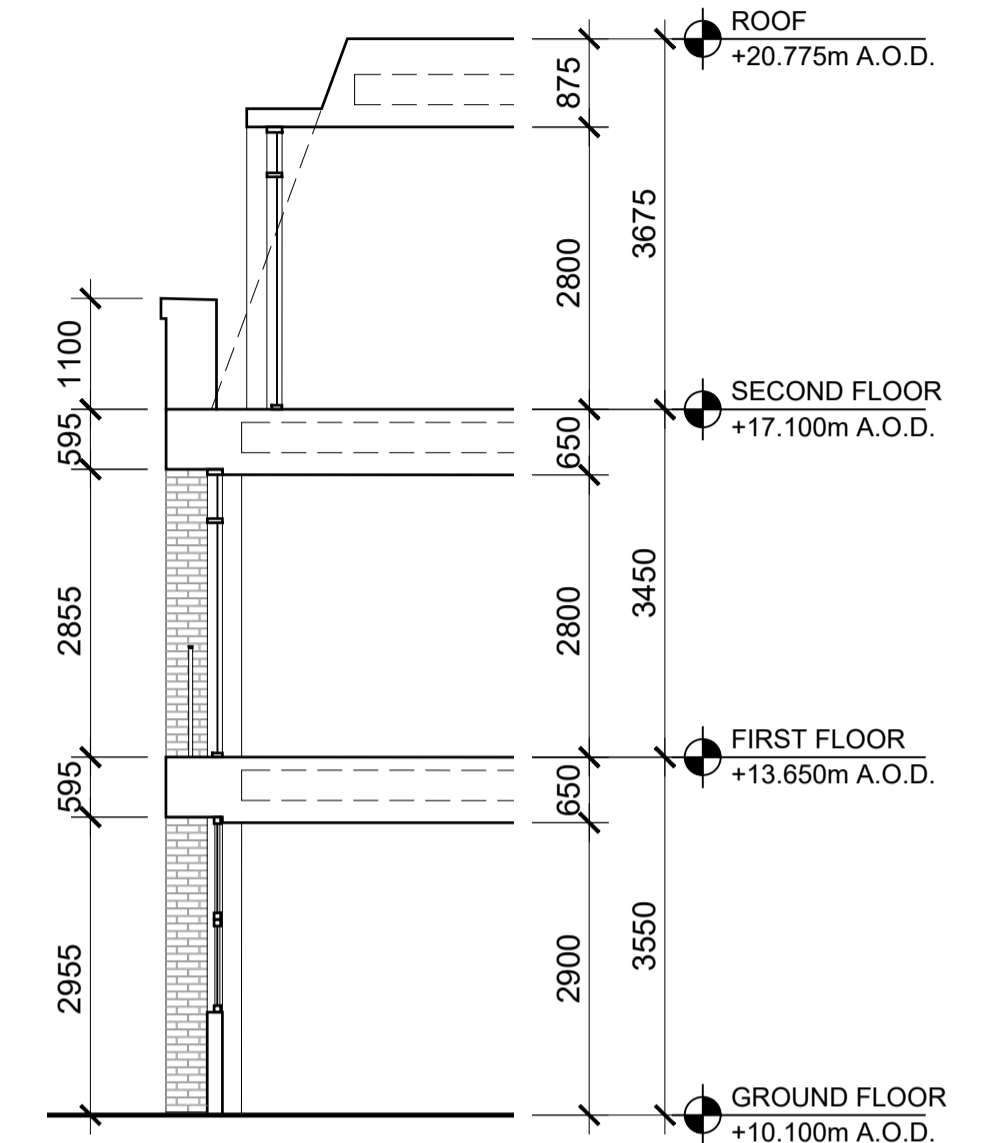
10 ELEVATION COURTYARD
SCALE: 1:75



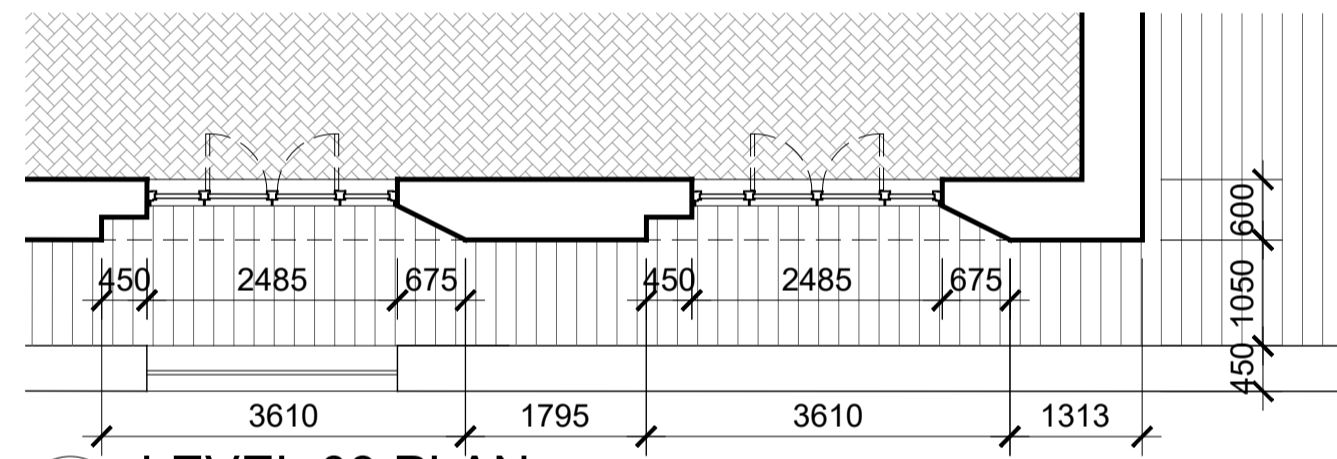
9 SECTION
SCALE: 1:75



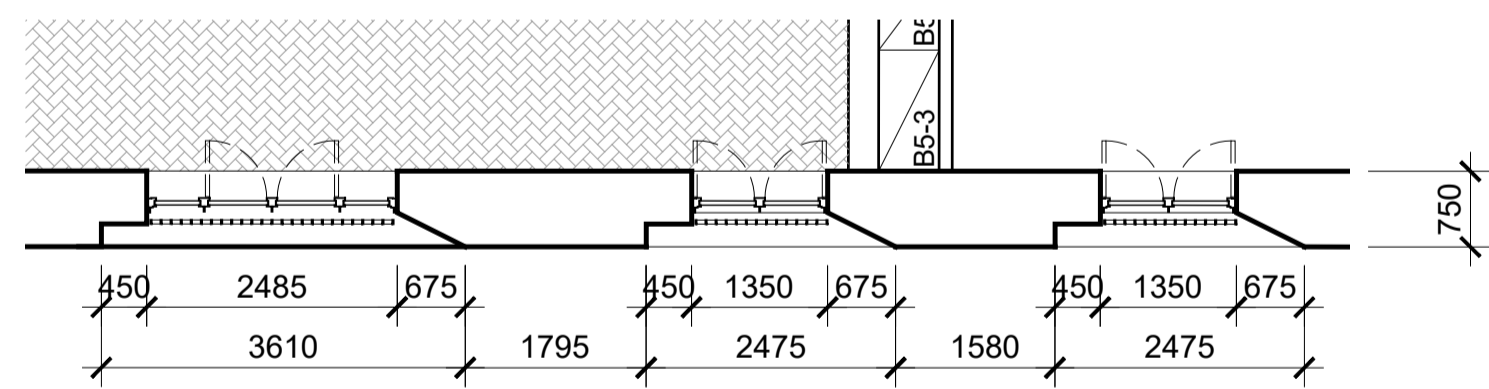
5 ELEVATION SOUTH END
SCALE: 1:75



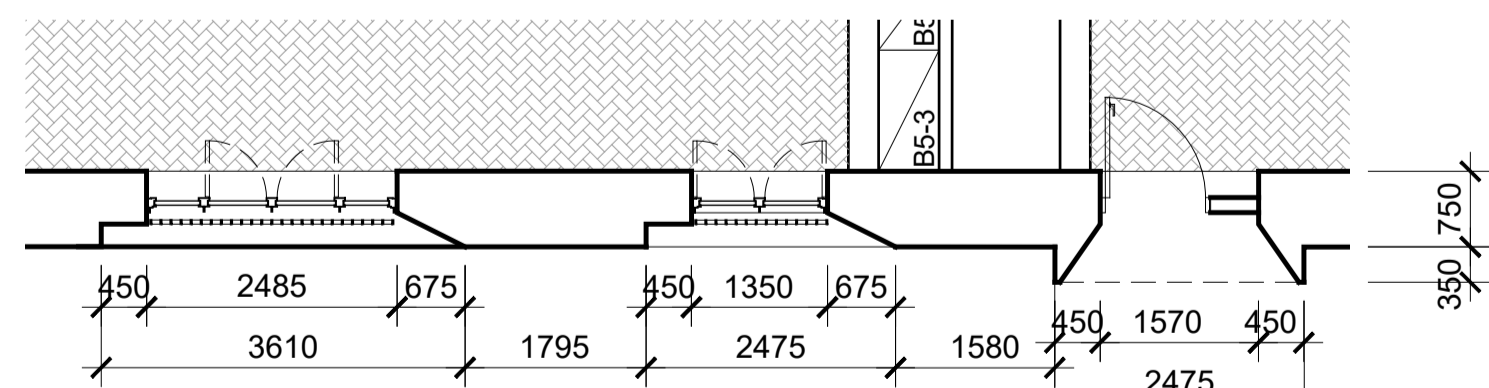
4 SECTION
SCALE: 1:75



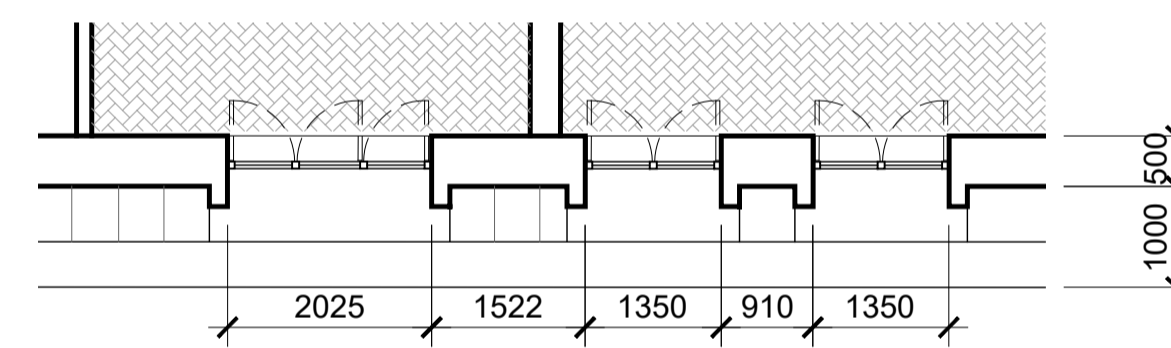
8 LEVEL 03 PLAN
SCALE: 1:75



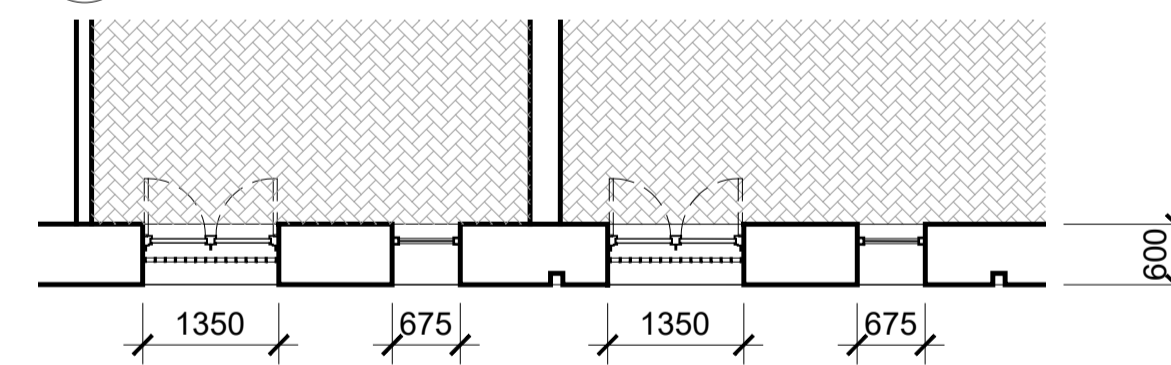
7 LEVEL 02 PLAN
SCALE: 1:75



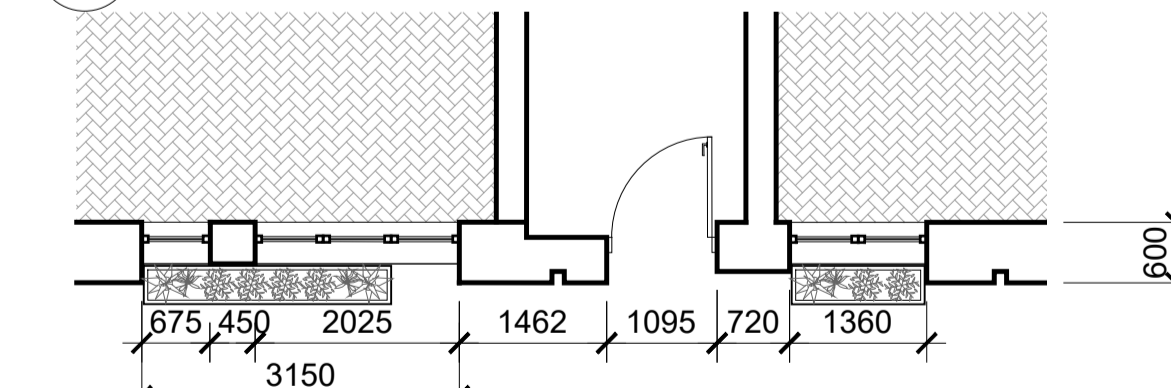
6 LEVEL 01 PLAN
SCALE: 1:75



3 LEVEL 02 PLAN
SCALE: 1:75



2 LEVEL 01 PLAN
SCALE: 1:75



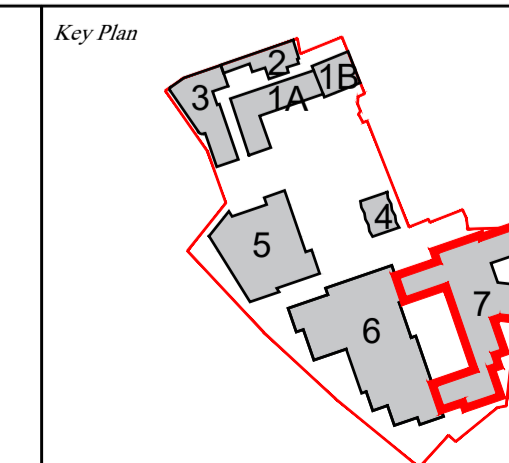
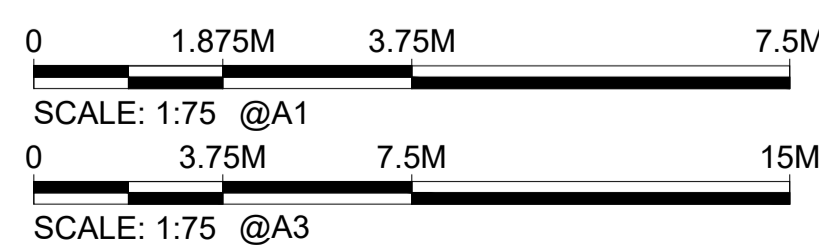
1 GL PLAN
SCALE: 1:75

MATERIAL KEY

1. Handmade clay facing brickwork
2. Recessed handmade clay facing brickwork
3. Brickwork Reveal
4. Reconstituted stone coping
5. Reconstituted stone lintels
6. Reconstituted stone cladding
7. Metal standing seam cladding
8. Slate shingled roof
9. Dark framed metal windows
10. Clear neutral glazing
11. Dark metal spandrel panels
12. Decorative balustrade
13. Glass balustrade
14. Glazed Terracotta
15. Dark metal planter box
16. Dark metal dormer hood & cheeks
17. Dark metal lintels
18. Textured dark metal
19. White stucco finish
20. Insulating glazing unit (Low-iron)
21. Dark patinated brass coloured metal
22. Light patinated brass coloured metal
23. Slatted timber panels

KPF

Use of Kohn Pedersen Fox Associates' files ("Files") is subject to acceptance of the following disclaimer. Files are provided for users' reference only and revisions to Files may be issued from time to time. KPF makes no warranty of any kind, express or implied, with respect to the Files. Files must be independently checked by users to ensure adequacy for any particular purpose. Users must immediately notify KPF in writing of any discrepancies. KPF does not accept any duty of care to users and excludes all liability due to their use of Files. Users agree to indemnify KPF against any loss arising from their use of Files.



No.	Issue	Date
0	PLANNING APPLICATION	01/2018

Kohn Pedersen Fox Associates
(International) PA
Architects and Planning Consultants

7A Langley Street
London WC2H 9JA England
T: +44 (0) 20 3119 5300
F: +44 (0) 20 7497 1175
http://www.kpf.com

Proj. No.	Project
2648	HEYTHROP COLLEGE
Scale	1:75 @ A1 1:150 @ A3
Drawn by	MML
Checked by	
Drawing Title	
DETAIL BAY BUILDING 7	
No.	PA-307
Rev.	0