

Decotrim® Roof Trims GRP Roof Edge and Termination Trims

Product Description

A range of GRP (Glass reinforced plastic) roof edge trims used to terminate the Sika Liquid Plastics Liquid Applied Roof Membranes systems.

Uses

The Decotrim® range includes the following:

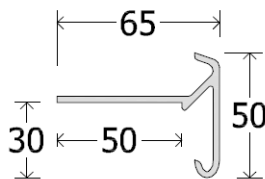
- Check trims
- Drip trim
- Termination bar
- Counter flashing

Characteristics / Advantages

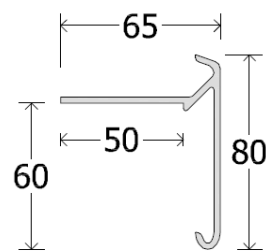
- Will not corrode, rust or dent and are not affected by atmospheric pollution
- Will retain colour/appearance
- Once installed - maintenance free
- Any RAL colour is available (subject to minimum order)

Check Trims

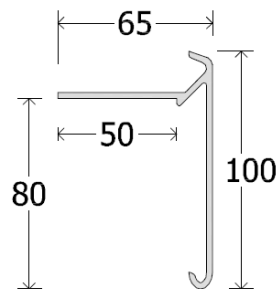
Type A



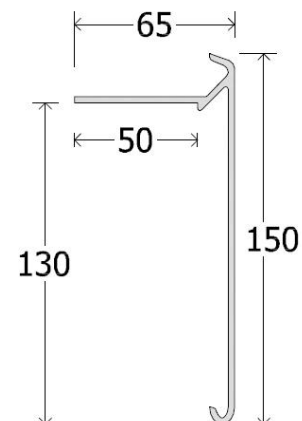
Type B



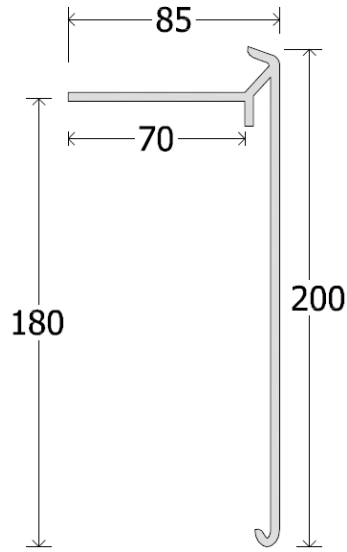
Type C



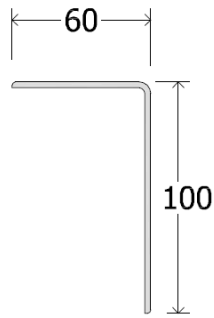
Type E



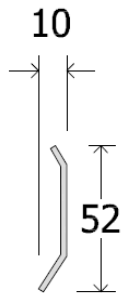
Type F



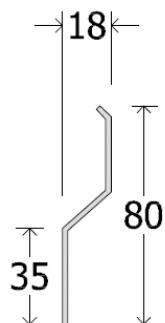
Drip Trims



Termination Bar



Counter Flashing



Product Data

Decotrim Type A*	50mm/65mm (face depth/overall width) available in 3 metre lengths Gauge: 2mm
Decotrim Type B*	80mm/65mm (face depth/overall width) available in 3 metre lengths Gauge: 2mm
Decotrim Type C*	100mm/65mm (face depth/overall width) available in 3 metre lengths Gauge: 2mm
Decotrim Type D*	100mm/60mm (face depth/overall width) available in 3 metre lengths Gauge: 2mm
Decotrim Type E*	150mm/65mm (face depth/overall width) available in 3 metre lengths Gauge: 2mm
Decotrim Type F*	200mm/85mm (face depth/overall width) available in 3 metre lengths Gauge: 3mm
Termination Bar	62mm/10mm (face depth/overall width) 3 metre lengths/pack of ten Gauge: 2mm
Counter Flashing	75mm/18mm (face depth/overall width) 3 metre lengths/pack of ten Gauge: 2.6mm

**Internal and external corners are available.*

Roofing



Application Information

Fixing

Choose the appropriate profile for site conditions, screw fixed using stainless steel screws. Butt plates are to be inserted at all joints (with Decotrim® Type A, B, C, E and F) and preformed corner units are to be used where appropriate.

Decotrim® Type A, B, C and D

Trims must be fixed at a maximum 300mm staggered centres

Decotrim® Type E and F

Trims must be fixed at a maximum 150mm staggered centres. The appropriate Sika Liquid Plastics mechanical fasteners must be used in these scenarios, and depends upon the substrate that is being fixed into:

Timber	IW-S (45mm)
Concrete	TI-S-Z10 (45mm)
Steel	BS-S (60mm)

Pre-Formed Corners

Pre-formed corners are to be fixed with a minimum of two staggered fixings per leg.

Application Method

For advice regarding waterproofing into the trim please refer to the Sika Liquid Plastics specification

Check Trims

Apply the Sika Liquid Plastics system as specified fully into the recess of the trim.

D Trim

Apply the Coating system over the trim to finish on the full downward facing edge.

Termination Bar

Once the waterproofing system has fully cured, install new Sika Liquid Plastics Termination Bar fixed at maximum 300mm centres and finally sealed using a bead of SikaHyflex®-250 Façade.

Alternatively the Termination Bar can be bonded onto suitable upstand materials using SikaBond® AT Universal or SikaBond® AT Metal. Please refer to the appropriate product datasheet for more information.

Counter Flashing

Once the waterproofing system has fully cured, install new Sika Liquid Plastics Counter Flashing fixed at maximum 300mm centres and finally sealed using a bead of SikaHyflex®-250 Façade.

Alternatively the Counter Flashing can be bonded onto suitable upstand materials using SikaBond® AT Universal or SikaBond® AT Metal. Please refer to the appropriate product datasheet for more information.

General Information

Health and Safety Information

The product does not fall within the EC-regulation of hazardous goods. As a result, a material safety data sheet following EC-Guidelines is not required to bring the product to the market, transport or use it. The product does not damage the environment in its own right.

Specification Assistance

NBS is the industry standard specification system, which allows architects, specifiers and engineers to insert clauses into specifications by manufacturer and product, making the process quicker and more efficient. We are members of NBS Plus and therefore detailed up-to-date product information is readily available to create accurate specifications.

Disclaimer

The information, and, in particular, the recommendations relating to the application and end- use of Sika products, are given in good faith based on Sika's current knowledge and experience of the products when properly stored, handled and applied under normal conditions in accordance with Sika's recommendations. In practice, the differences in materials, substrates and actual site conditions are such that no warranty in respect of merchantability or of fitness for a particular purpose, nor any liability arising out of any legal relationship whatsoever, can be inferred either from this information, or from any written recommendations, or from any other advice offered. The user of the product must test the product's suitability for the intended application and purpose. Sika reserves the right to change the properties of its products. The proprietary rights of third parties must be observed. All orders are accepted subject to our current terms of sale and delivery. Users must always refer to the most recent issue of the local Product Data Sheet for the product concerned, copies of which will be supplied on request.

Contact Details

For further information please contact:
Sika Liquid Plastics
Sika House
Miller Street
Preston
Lancashire
PR1 1EA

Enquiry line: +44 (0)1772 259781
Fax: +44 (0)1772 255670
e-mail: liquidplastics@uk.sika.com
Website: www.liquidplastics.co.uk

Registered office: Sika Ltd, Watchmead, Welwyn Garden City, Hertfordshire, AL7 1BQ
Registered in England: 226822

Roofing

