

APPROVED DRAWINGS

Please Index As

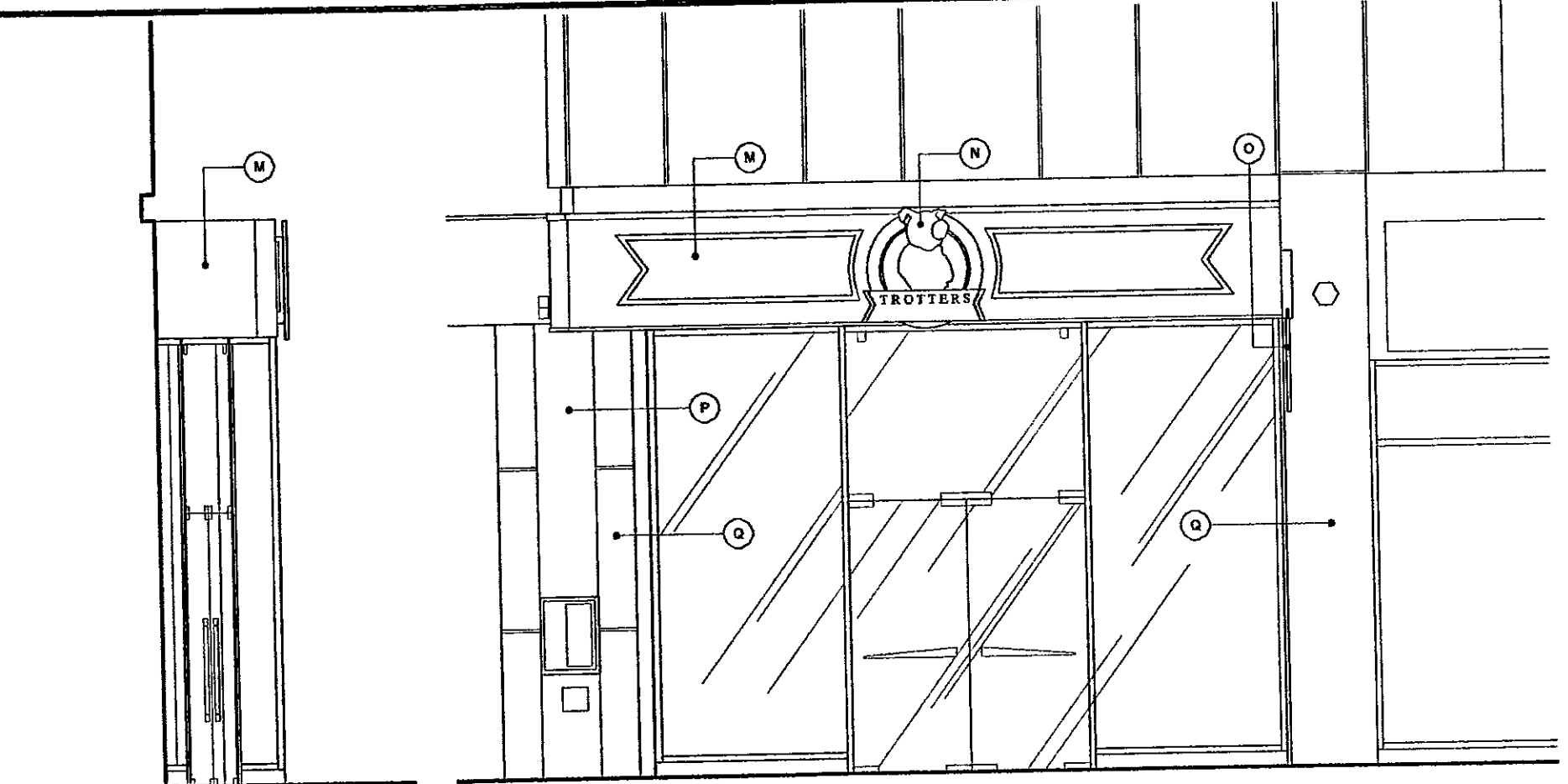
File Number

APPROVED DRAWINGS

Part	1	Part	11
Part	2	Part	12
Part	3	Part	13
Part	4	Part	14
Part	5	Part	15
Part	6	Part	16
Part	7	Part	17
Part	8	Part	18
Part	9	Part	19
Part	10	Part	20

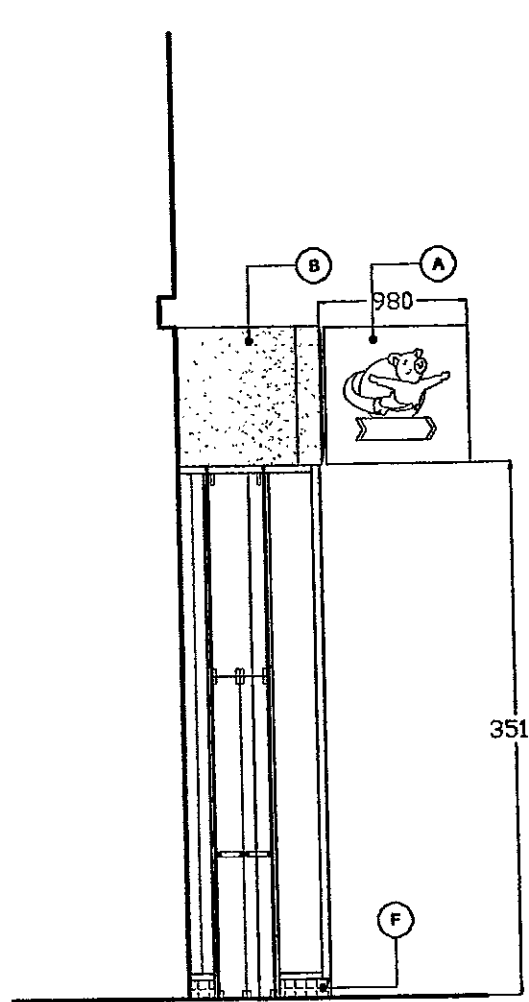
PP/03/00670 ①

NOTES:
ALL DIMENSIONS IN MILLIMETRES.
DO NOT SCALE FROM DRAWING

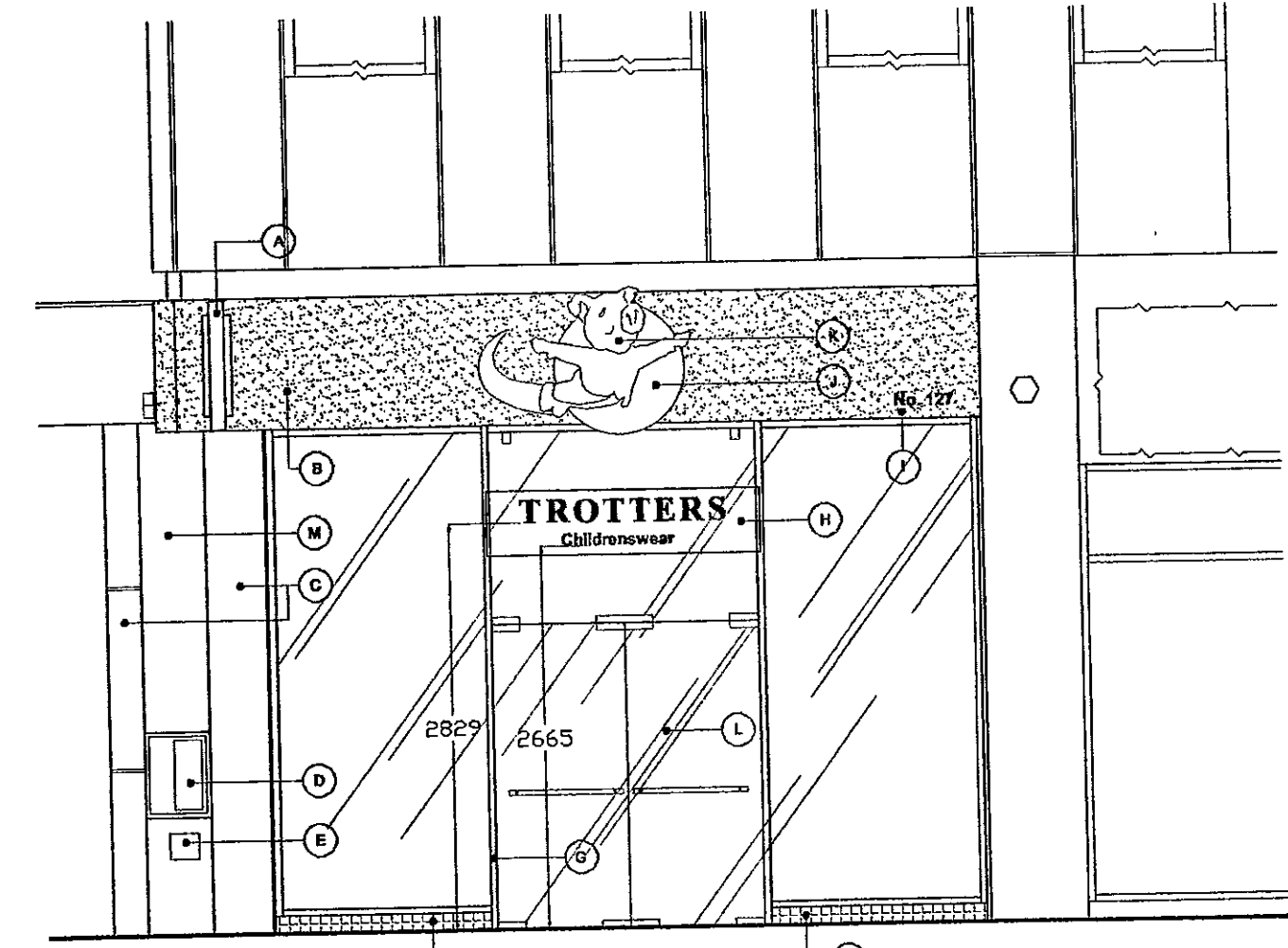


Side view of FRONT ELEVATION

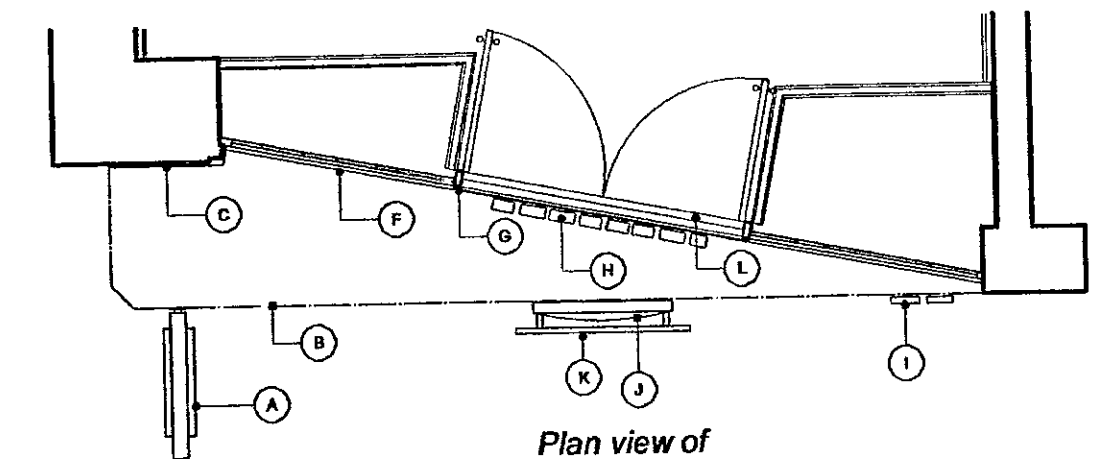
FRONT ELEVATION EXISTING



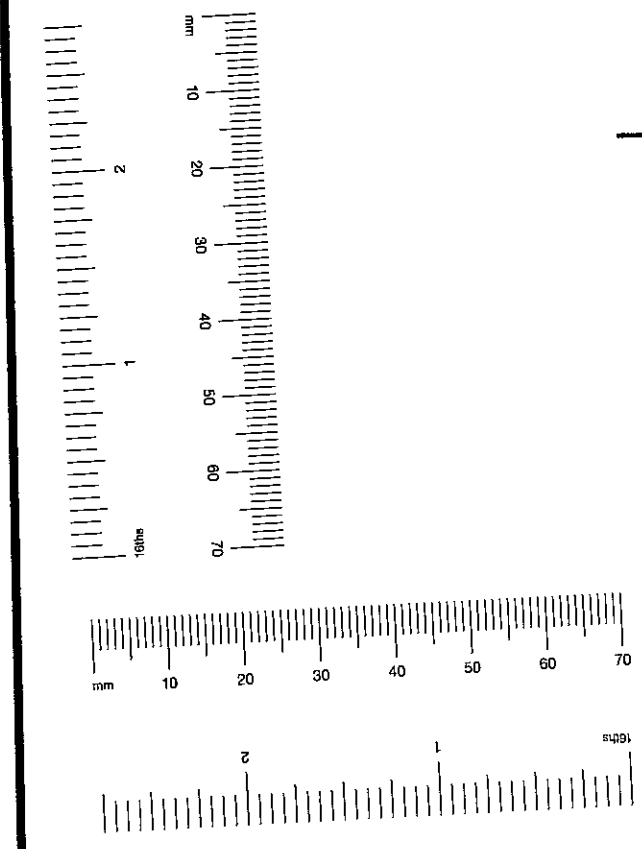
Side view of FRONT ELEVATION



FRONT ELEVATION PROPOSED



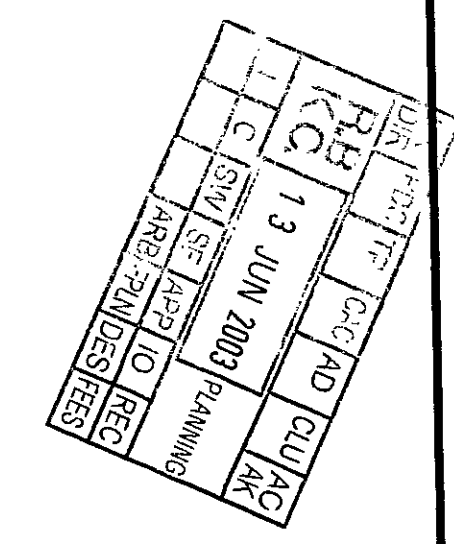
Plan view of FRONT ELEVATION



Approved as minor amendment on 16.7.03...

GENERAL NOTES - SHOPFRONT

- ① New projecting sign to be aluminium panel, finish light green. c/w fret cut logo. Internally illuminated.
- ② New rendered fascia, also left hand return. Painted natural limestone colour.
- ③ Clean existing cladding to plier.
- ④ Existing fire hydrant.
- ⑤ Existing fire hydrant symbol.
- ⑥ New tiling to staff riser. Colour to match painted fascia render.
- ⑦ Existing shopfront framework refinished.
- ⑧ New brushed stainless steel built up letters stood off new glass panel attached to shopfront framework. Non-illuminated.
- ⑨ New brushed stainless steel built up letters stood off fascia render.
- ⑩ Non-illuminated half sphere globe.
- ⑪ "Flying Pig" flat aluminium panel stood off half sphere globe.
- ⑫ Existing plate glass doors to be re-hung with new brushed stainless steel patch fittings & handles.
- ⑬ Re-paint existing central strip to plier.



REVISIONS	DATE	BY

JUSTIN REYNOLDS INTERIOR PROJECTS
4 The Mews
Moorhaven
Exbridge
Devon EX21 0XJ
Tel/fax: 01752 631275

- Preliminary
- Tender
- Contract
- As Built

PROJECT TITLE
*Trotters Childrenswear
High St. Kensington
London*

DRAWING TITLE
*Shopfront:
Proposed & Existing*

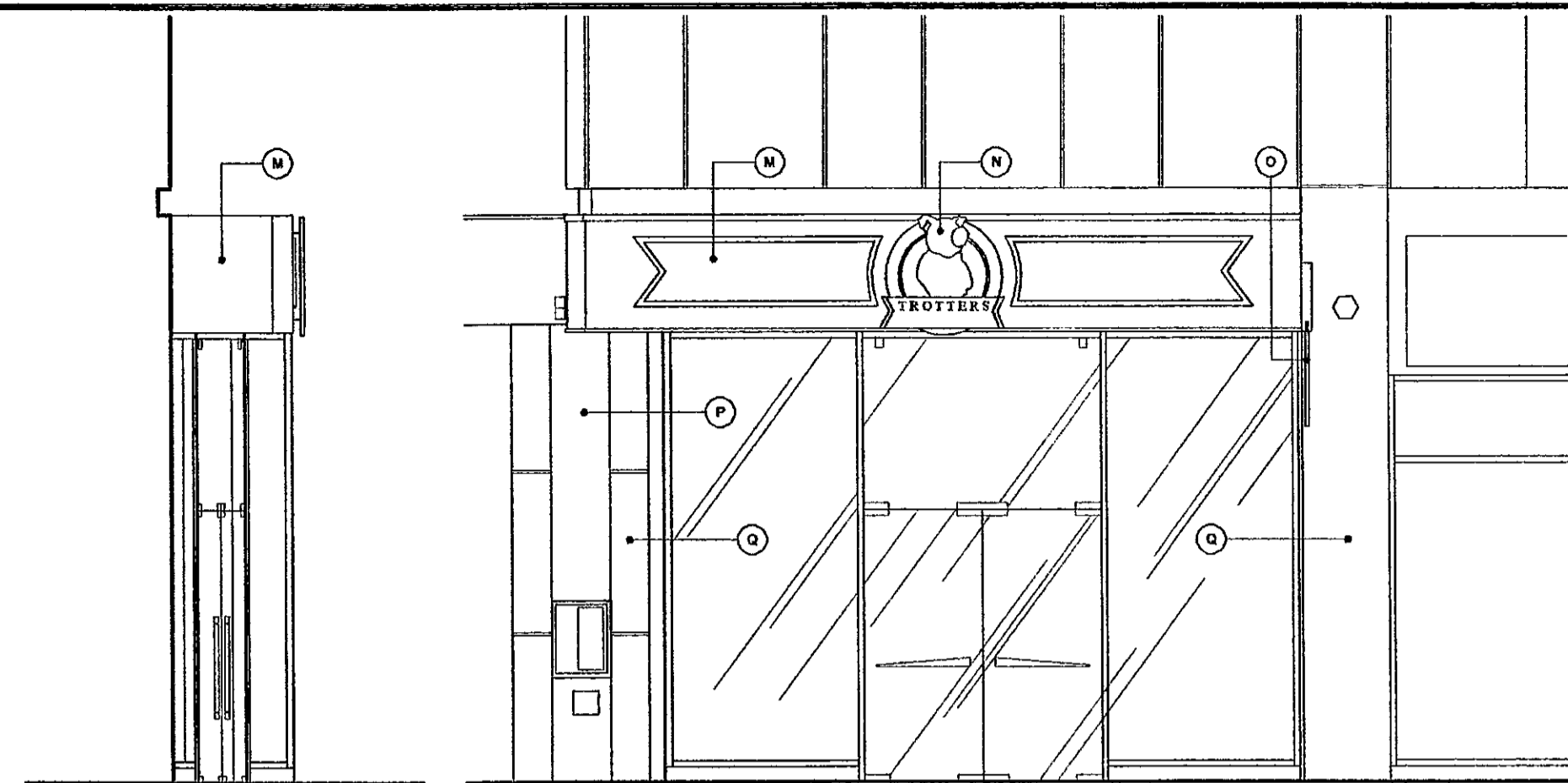
SCALE DRAWN DATE
1:50 MJA 17/3/2003

DRAWING NUMBER REV NO.

105_Trot_shopfront

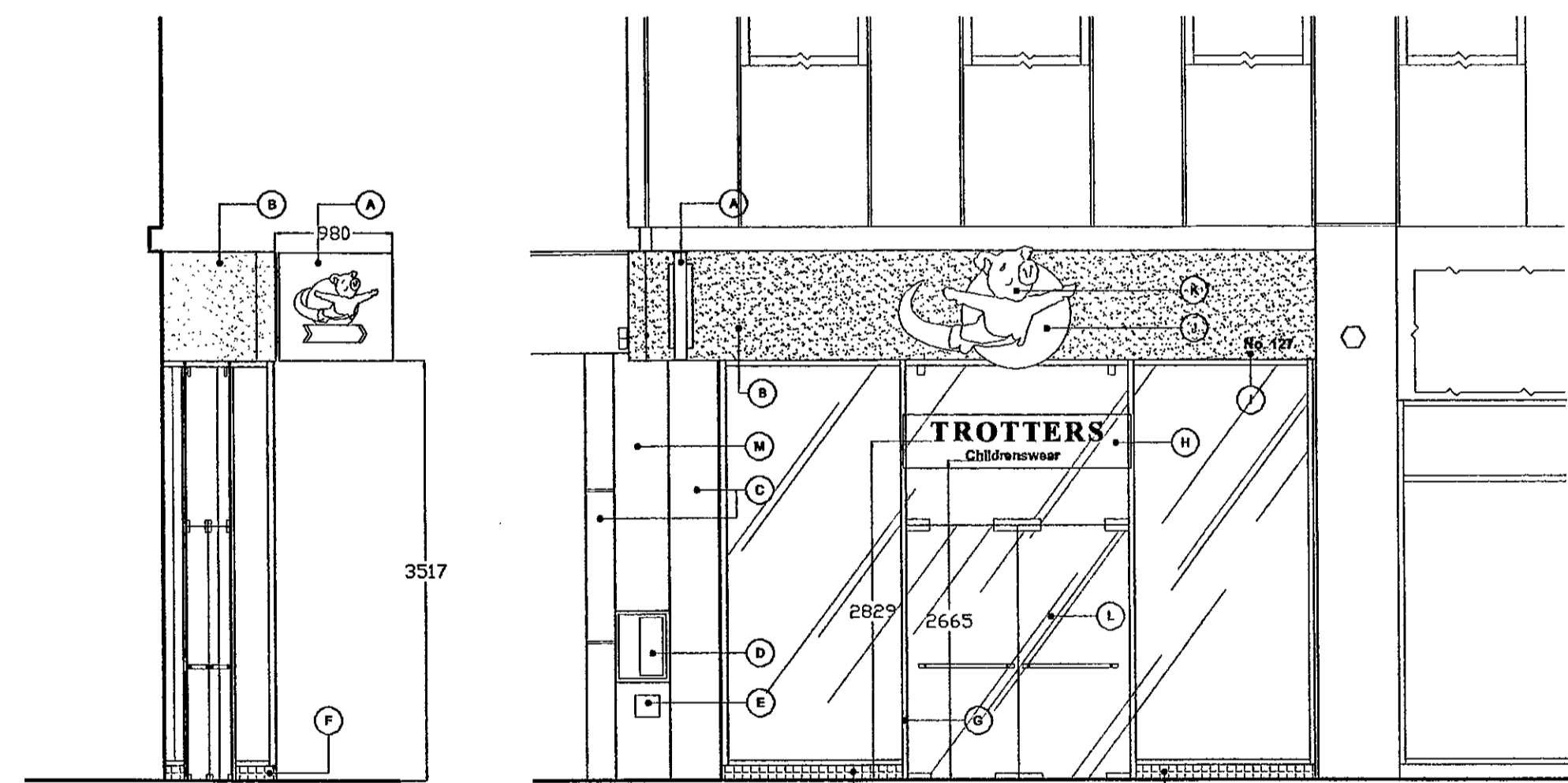
**Trotters Childrenswear
High St. Kensington**

PP/03/00670 (2)



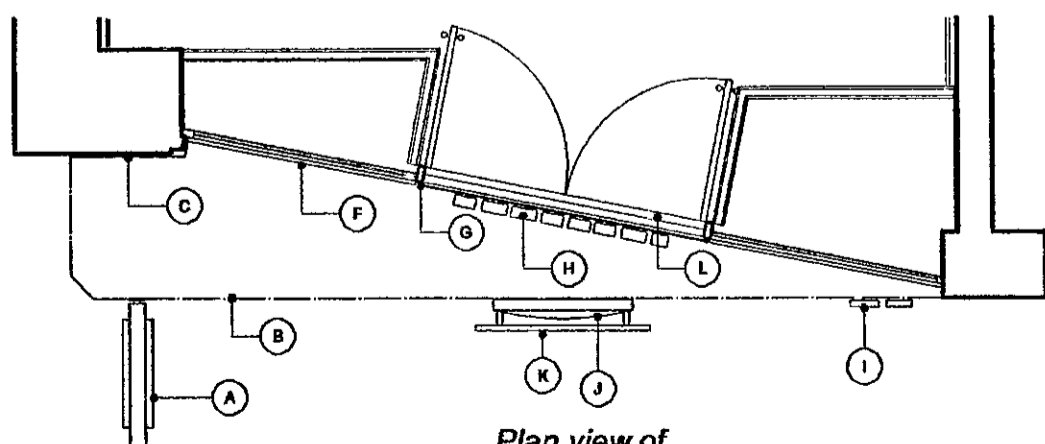
Side view of FRONT ELEVATION

FRONT ELEVATION EXISTING

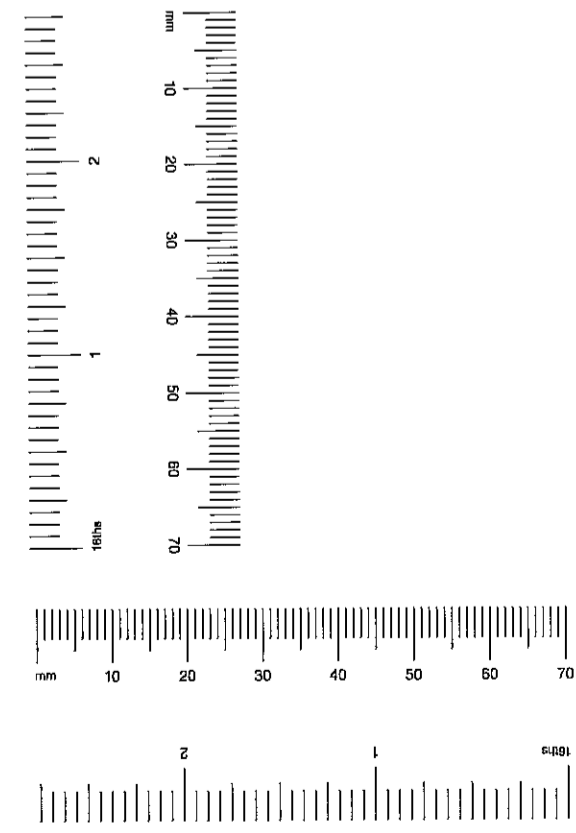


Side view of FRONT ELEVATION

FRONT ELEVATION PROPOSED



Plan view of FRONT ELEVATION



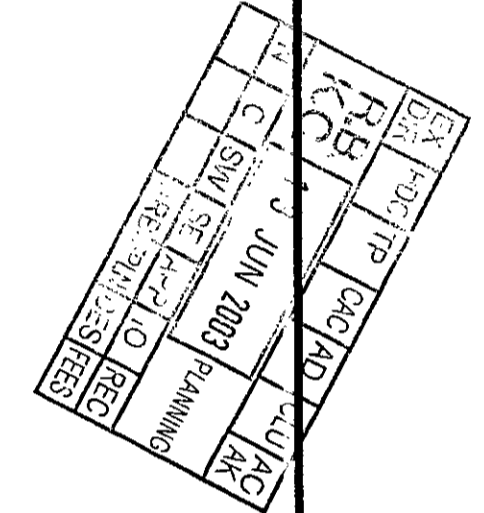
Approved as Minor amendment on 16.7.03.

GENERAL NOTES - SHOPFRONT

- A New projecting sign to be aluminium panel, finish light green, c/w fret cut logo. Internally illuminated.
- B New rendered fascia, also left hand return. Painted natural limestone colour.
- C Clean existing cladding to pier.
- D Existing fire hydrant.
- E Existing fire hydrant symbol.
- F New filling to stall riser. Colour to match painted fascia render.
- G Existing shopfront framework refinished.
- H New brushed stainless steel built up letters stood off new glass panel attached to shopfront framework. Non-illuminated.
- I New brushed stainless steel built up letters stood off fascia render.
- J Non-illuminated half sphere globe.
- K "Flying Pig" flat aluminium panel stood off half sphere globe.
- L Existing plate glass doors to be re-hung with new brushed stainless steel patch fittings & handles.
- M Re-paint existing central strip to pier.

Trotters Childrenswear
High St. Kensington

NOTES:
ALL DIMENSIONS IN MILLIMETRES.
DO NOT SCALE FROM DRAWING



REVISIONS DATE BY

JUSTIN DEYNOLDS INTERIOR PROJECTS
4 The Mews
Moorhaven
Hybridge
Devon PL21 0XJ

Tel/fax: 01732 691275

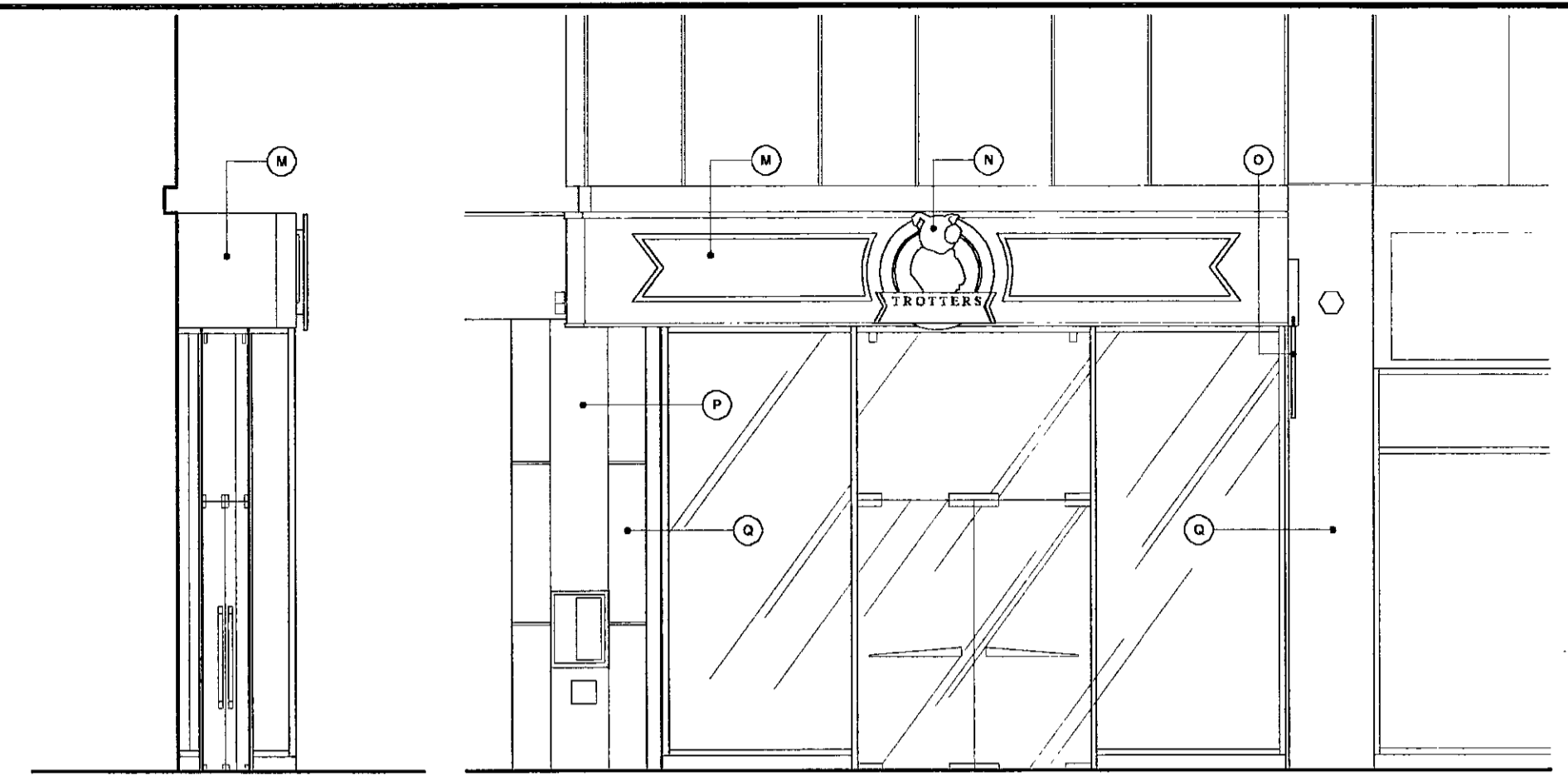
- Preliminary
- Tender
- Contract
- As Built

PROJECT TITLE
Trotters Childrenswear
High St. Kensington
London

DRAWING TITLE
Shopfront:
Proposed & Existing

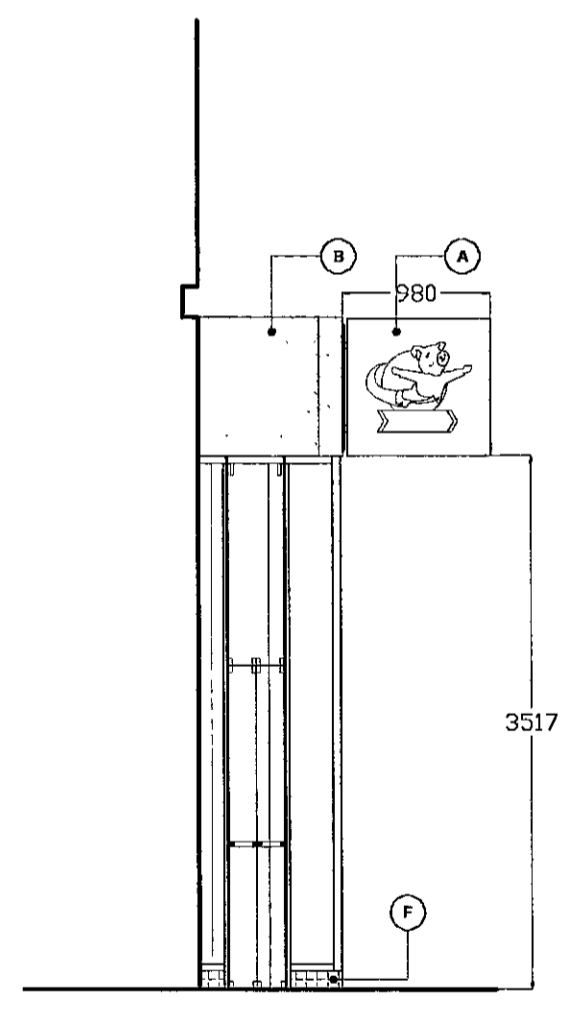
SCALE DRAWN DATE
1:50 MJA 17/3/2003

DRAWING NUMBER REV NO.
105_Tro_shopfront

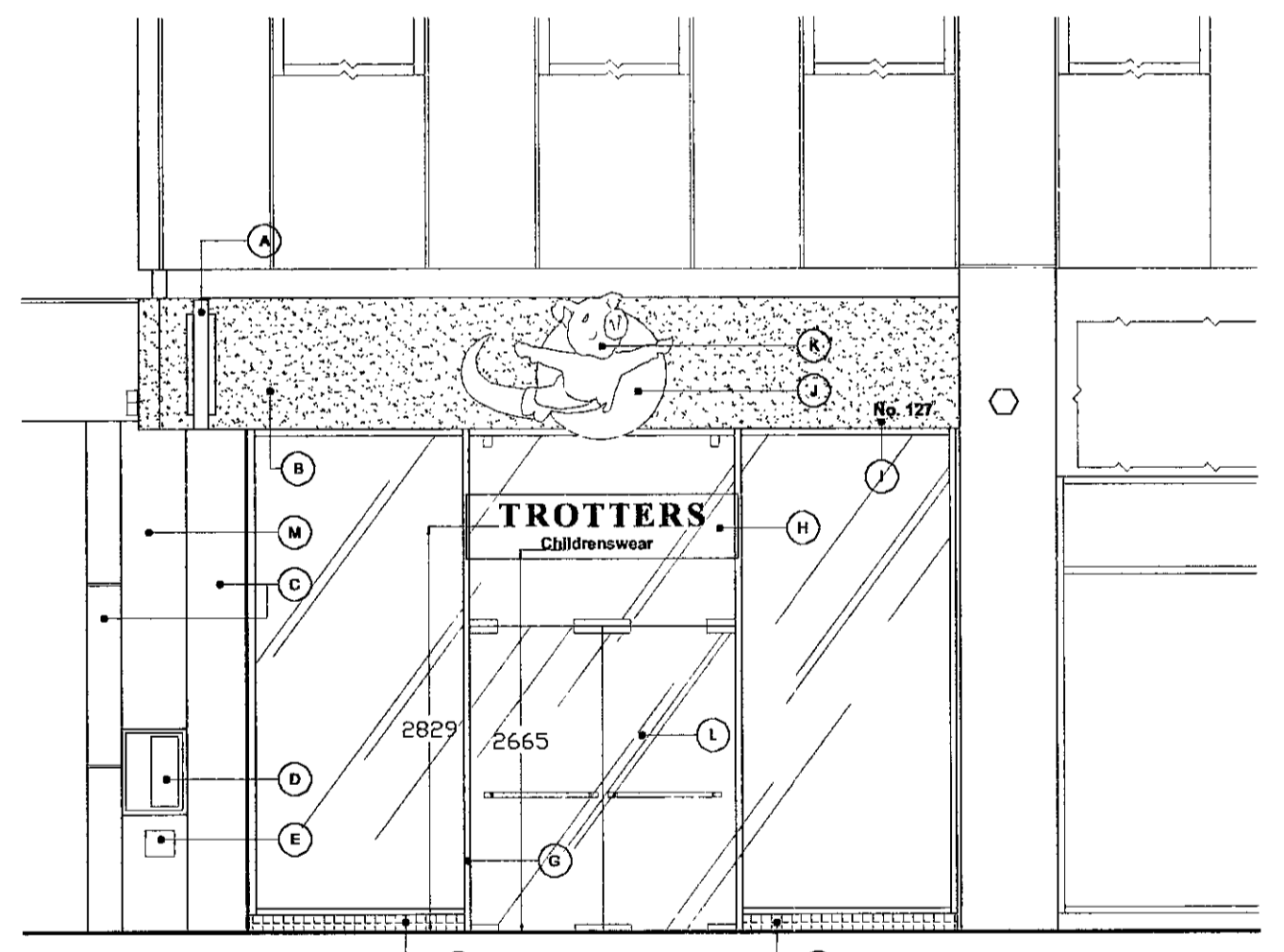


Side view of FRONT ELEVATION

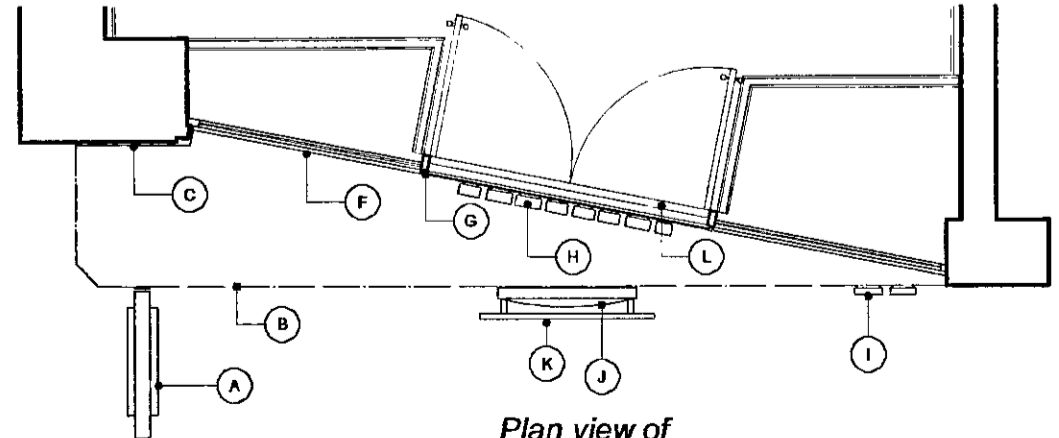
FRONT ELEVATION EXISTING



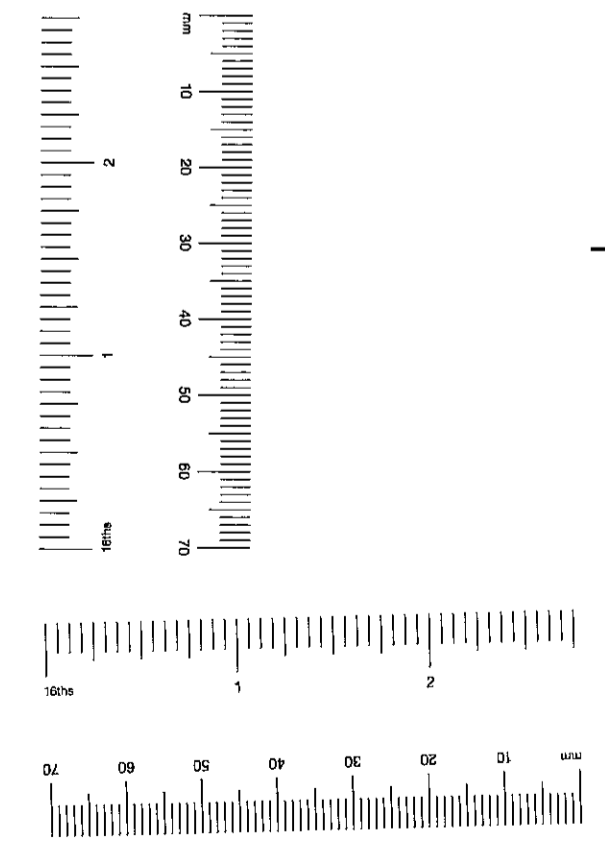
Side view of FRONT ELEVATION



FRONT ELEVATION PROPOSED



Plan view of FRONT ELEVATION



Approved as minor amendment on 16.7.08.

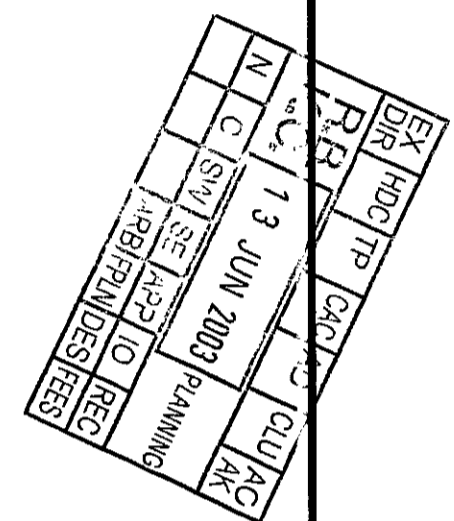
GENERAL NOTES - SHOPFRONT

- (A) New projecting sign to be aluminium panel, finish light green. c/w fret cut logo. Internally illuminated.
- (B) New rendered fascia, also left hand return. Painted natural limestone colour.
- (C) Clean existing cladding to pier.
- (D) Existing fire hydrant.
- (E) Existing fire hydrant symbol.
- (F) New tiling to stall riser. Colour to match painted fascia render.
- (G) Existing shopfront framework refinished.
- (H) New brushed stainless steel built up letters stood off new glass panel attached to shopfront framework. Non-illuminated.
- (I) New brushed stainless steel built up letters stood off fascia render.
- (J) Non-illuminated half sphere globe.
- (K) "Flying Pig" flat aluminium panel stood off half sphere globe.
- (L) Existing plate glass doors to be re-hung with new brushed stainless steel patch fittings & handles.
- (M) Re-paint existing central strip to pier.

O.K.
J.A.
25-VI-03.

Trotters Childrenswear
High St. Kensington

NOTES:
ALL DIMENSIONS IN MILLIMETRES.
DO NOT SCALE FROM DRAWING



REVISIONS	DATE	BY

JUSTIN ELSWOODS INTERIOR PROJECTS
4 The Acre
Moorhaven
Ipswich
Devon IP21 6XJ
Tel/fax: 01752 691275

- Preliminary
- Tender
- Contract
- As Built

PROJECT TITLE
Trotters Childrenswear
High St. Kensington
London

DRAWING TITLE
Shopfront:
Proposed & Existing

SCALE DRAWN DATE
1:50 MJA 17/3/2003

DRAWING NUMBER REV NO.
105_Trot_shopfront

NOTES:
ALL DIMENSIONS IN MILLIMETRES
DO NOT SCALE FROM DRAWING

REVISIONS DATE BY

JUSTIN REYNOLDS INTERIOR PROJECTS
4 The News
Moorhaven
Ivybridge
Devon PL21 0XJ

Tel/fax: 01752 691275

Proprietary
Tender
Contract
As Built
0000

PROJECT TITLE
Trotters Childcare
127 High St.
Kensington, London

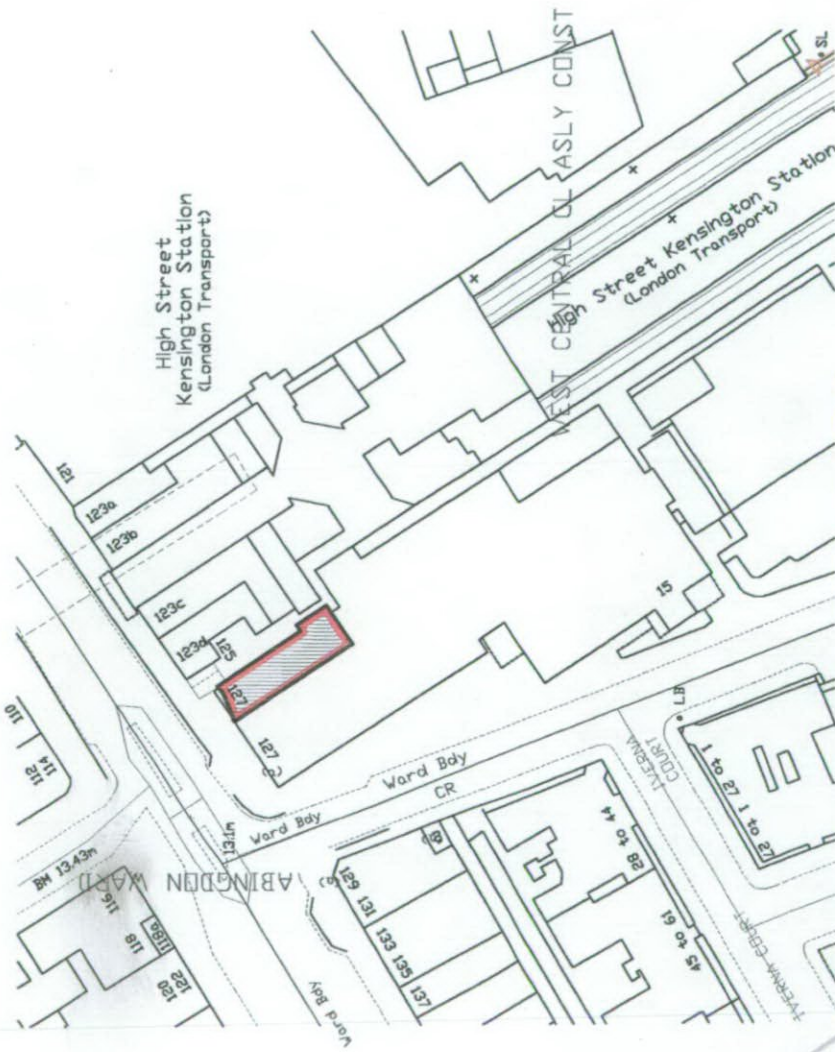
DRAWING TITLE
SITE PLAN

SCALE DRAWN DATE
1:250 ACA 17/02/2003

DRAWING NUMBER REV NO.

106_Trot_03

~~APPLIED IN DESIGN~~
~~PP 30670~~
~~R.B. K.C. R.A. J.L. M.A. J.A. J.K. J.L. J.M. J.N. J.O. J.P. J.Q. J.R. J.S. J.T. J.U. J.V. J.W. J.X. J.Y. J.Z.~~



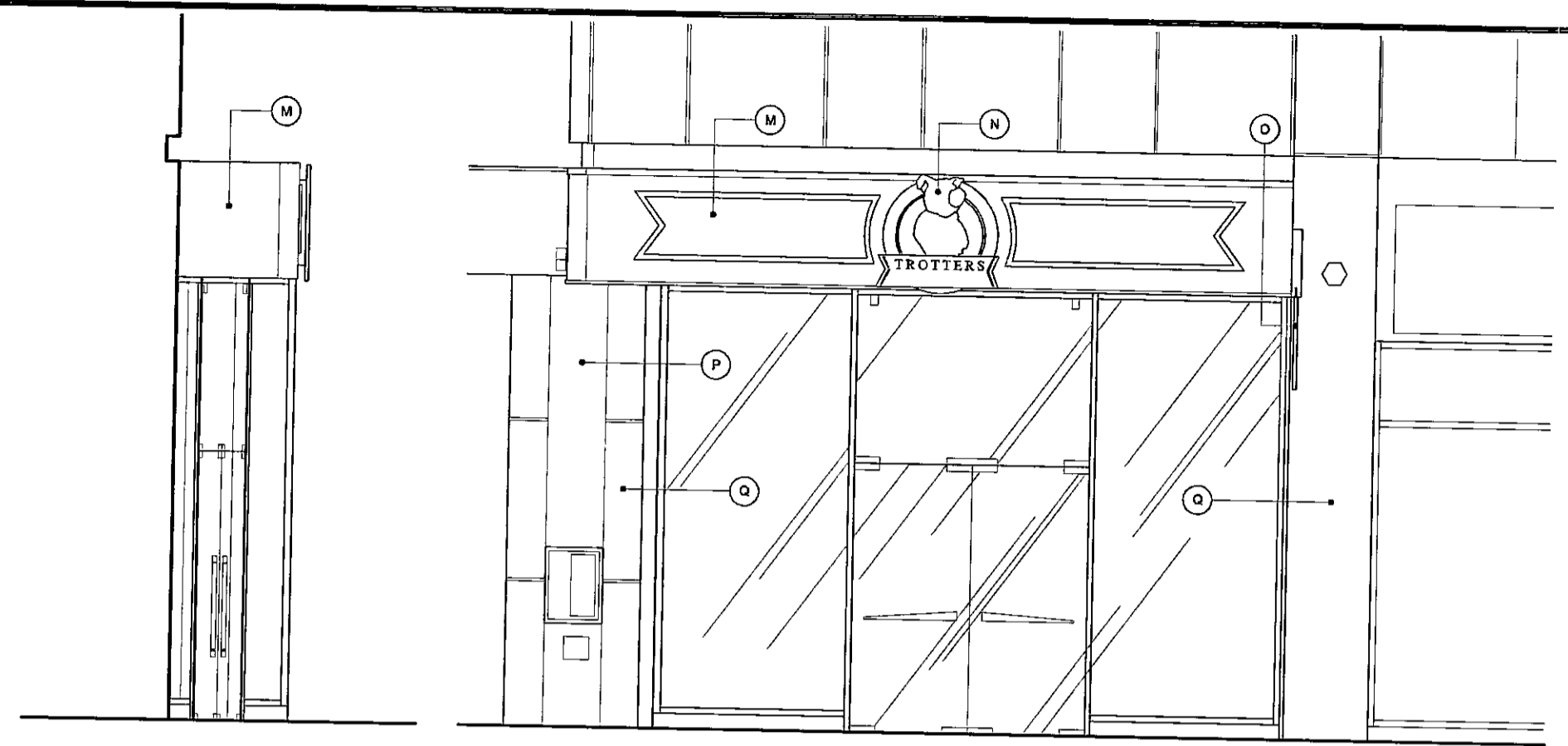
Crown Copyright. All rights reserved. Licence Number 100020449

DELEGATED
APPROVAL
14 MAY 2003

Trotters - 127 High St.
Kensington, London

PP103/00670

4



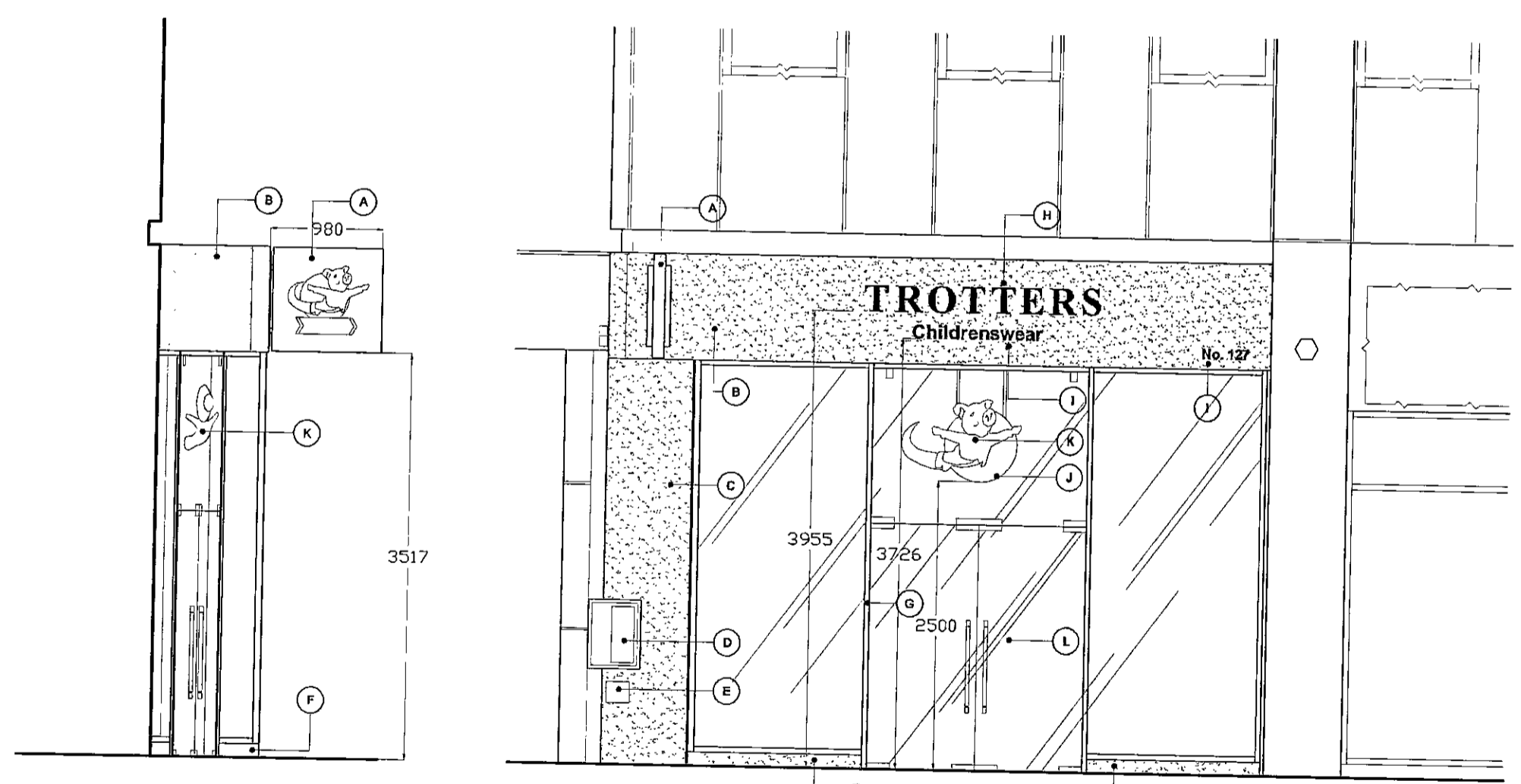
Side view of
FRONT ELEVATION

FRONT ELEVATION
EXISTING

GENERAL NOTES

- M White painted fascia panelling c/w raised coloured trims.
- N Stand off coloured logo panel.
- O Logo panel hung from projecting bracket.
- P White painted vertical panel.
- Q Existing stonework finish

NOTES:
ALL DIMENSIONS IN MILLIMETRES.
DO NOT SCALE FROM DRAWING

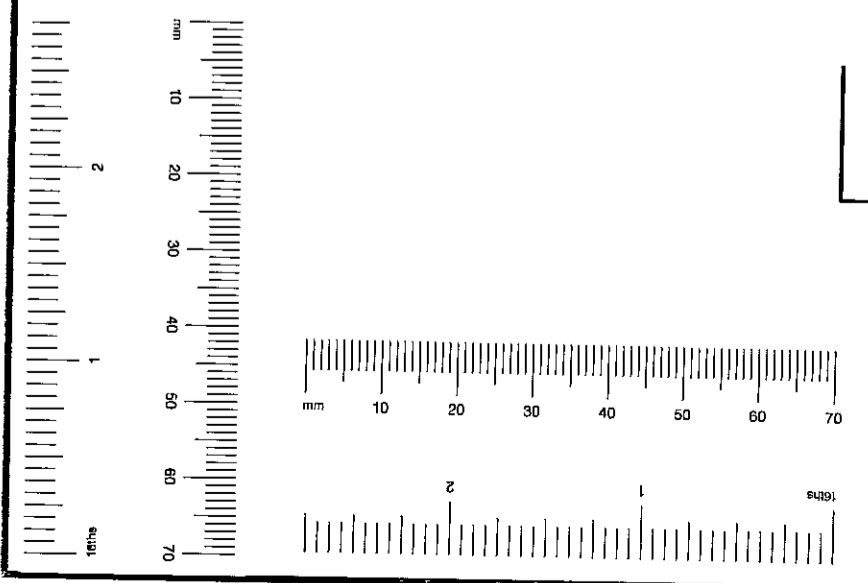


Side view of
FRONT ELEVATION

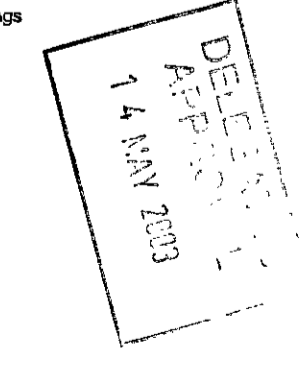
FRONT ELEVATION
PROPOSED

GENERAL NOTES

- A New projecting sign to be aluminium panel, finish light green, c/w frost out logo. Internally illuminated.
- B New limestone clad fascia, also to left hand return.
- C New limestone cladding to pier.
- D Existing fire hydrant.
- E Existing fire hydrant symbol.
- F New limestone to staff riser.
- G Existing shopfront framework refinished.
- H New brushed stainless steel built up letters stood off fascia, c/w back lite 'halo' illumination.
- I New brushed stainless steel built up letters stood off fascia - non illuminated.
- J Internally illuminated half sphere globe hung internally.
- K "Flying Pig" flat aluminium panel stood off glazing externally.
- L New armour plate glass doors c/w new brushed stainless steel patch fittings & handles.



Plan view of
FRONT ELEVATION



PP 31670

Trotters Childrenswear
High St. Kensington

REVISIONS DATE BY

JUSTIN REYNOLDS INTERIOR PROJECTS
4 The Mews
Moorhaven
Ivybridge
Devon PL21 0XJ

Tel/fax: 01752 691275

Preliminary
 Tender
 Contract
 Site
 Built
 Approved
 Approved
 Approved
 Approved

R.B. 10/10/03
 K. 10/10/03
 J. 10/10/03
 M. 10/10/03
 P. 10/10/03
 J. 10/10/03

PROJECT
Trotters Childrenswear
High St. Kensington
London

DRAWING TITLE
Proposed shopfront

SCALE DRAWN DATE
1:50 MJA 17/3/2003

DRAWING NUMBER REV. NO.
105_Trot_shopfront 01

PP 30670

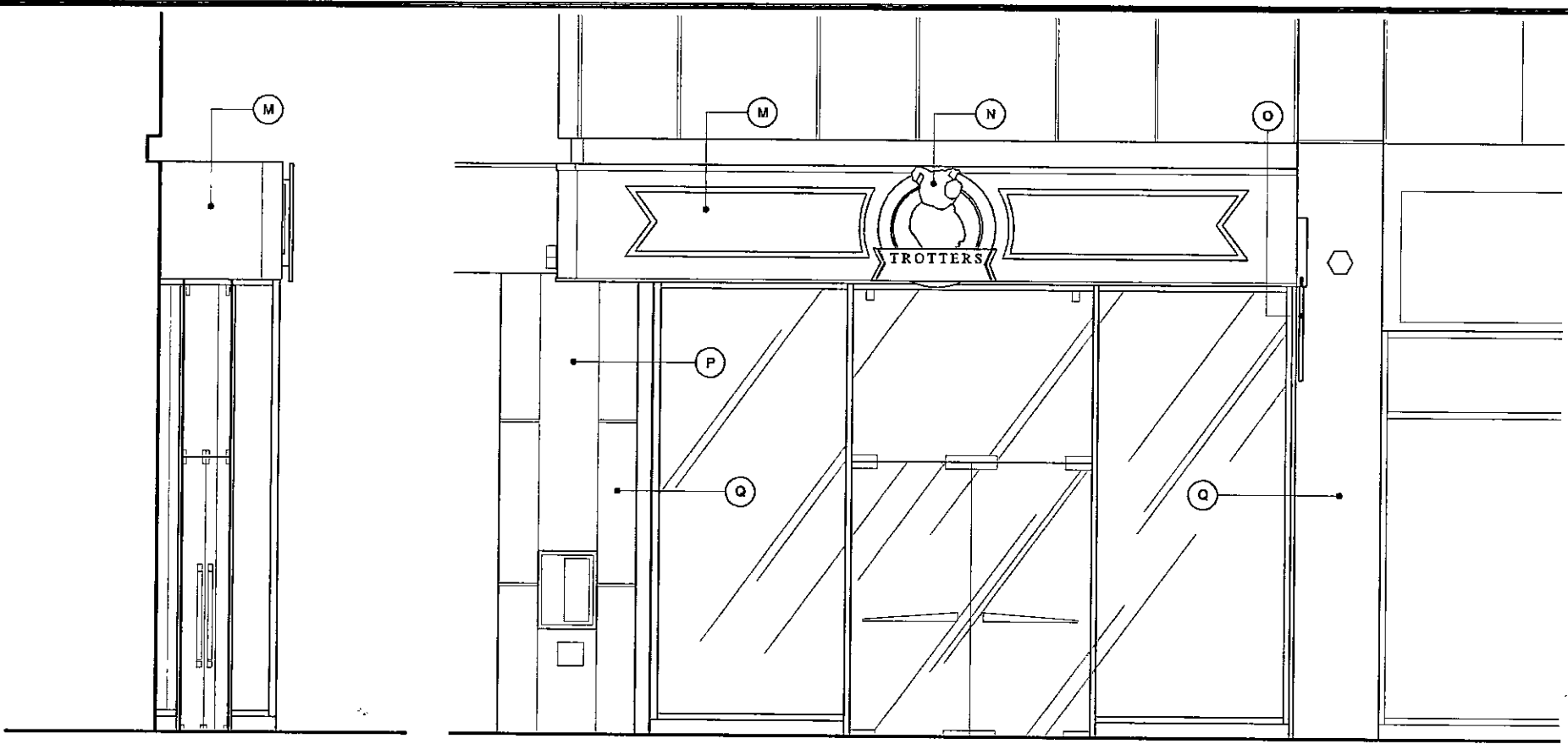


DELEGATED
APPROVAL
14 MAY 2003

IR	HDU	IP	CAC	AD	CLU	AO
C	SW	SE	APP	IO	REC	AK
ARE	FPLN	DES	FEE			

R.B. 20 MAR 2003 PLANNING
K.C.

PP103/00670
 (5)

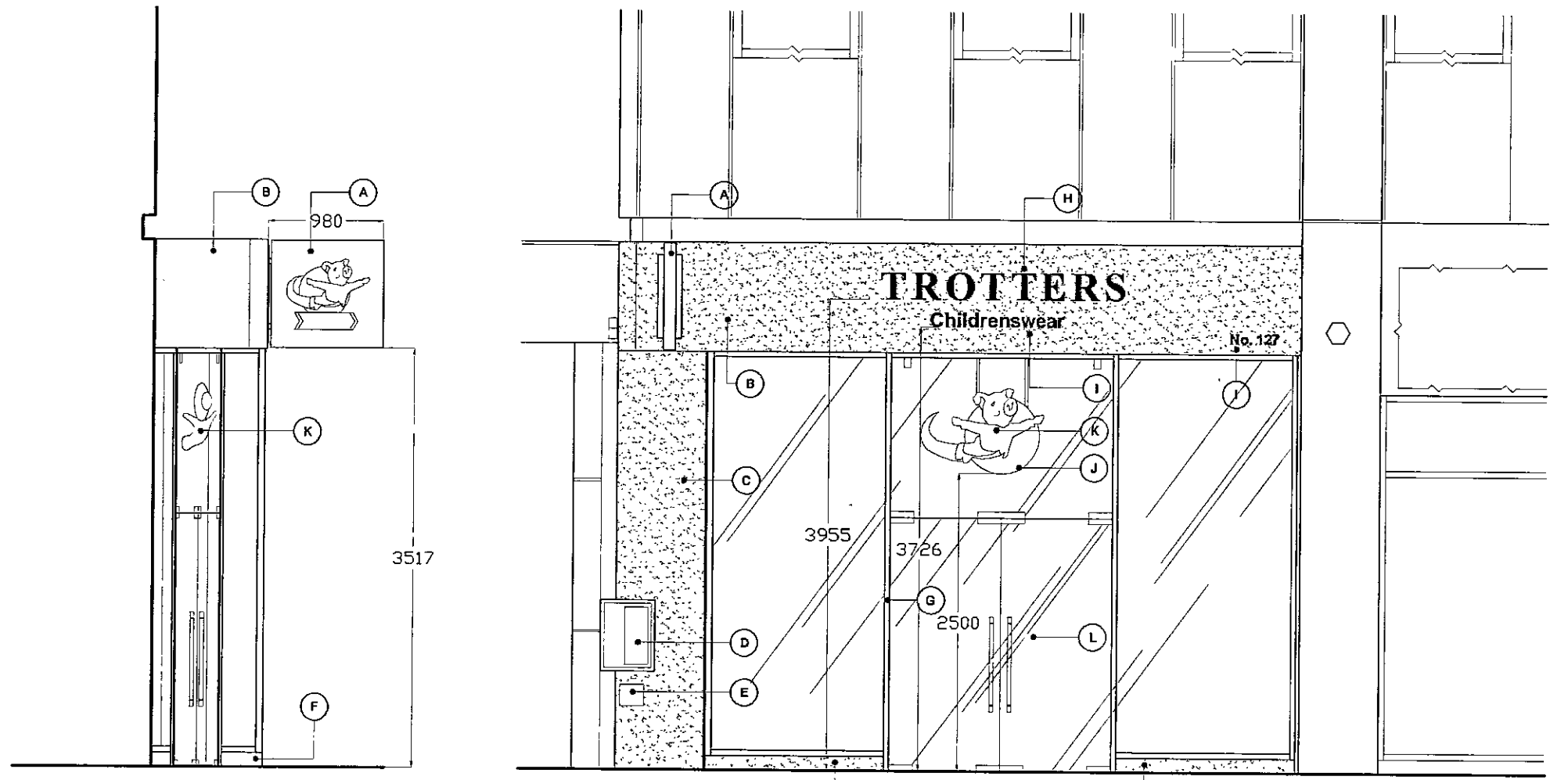


Side view of
FRONT ELEVATION

FRONT ELEVATION
EXISTING

GENERAL NOTES

- M White painted fascia paneling c/w raised coloured trims.
- N Stand off coloured logo panel.
- O Logo panel hung from projecting bracket.
- P White painted vertical panel.
- Q Existing stonework finish

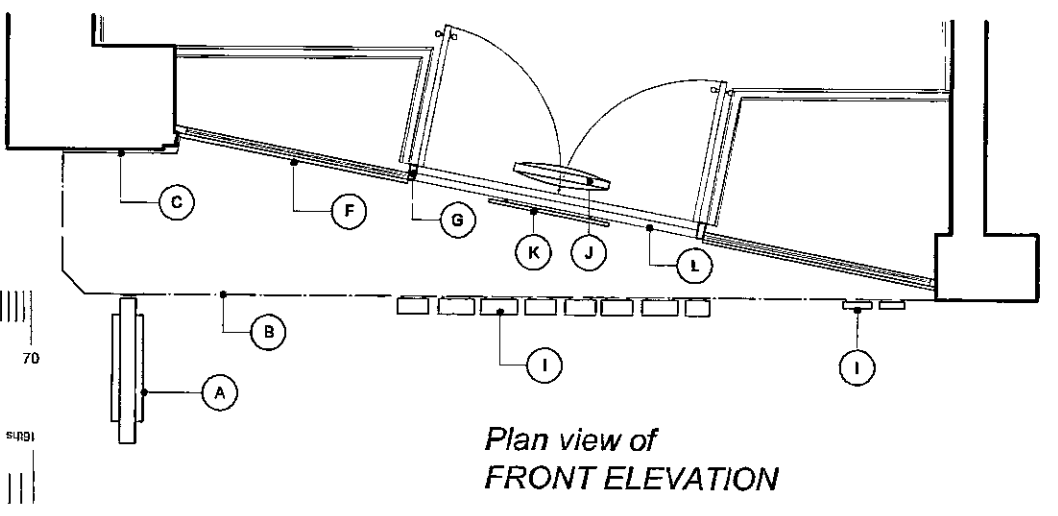
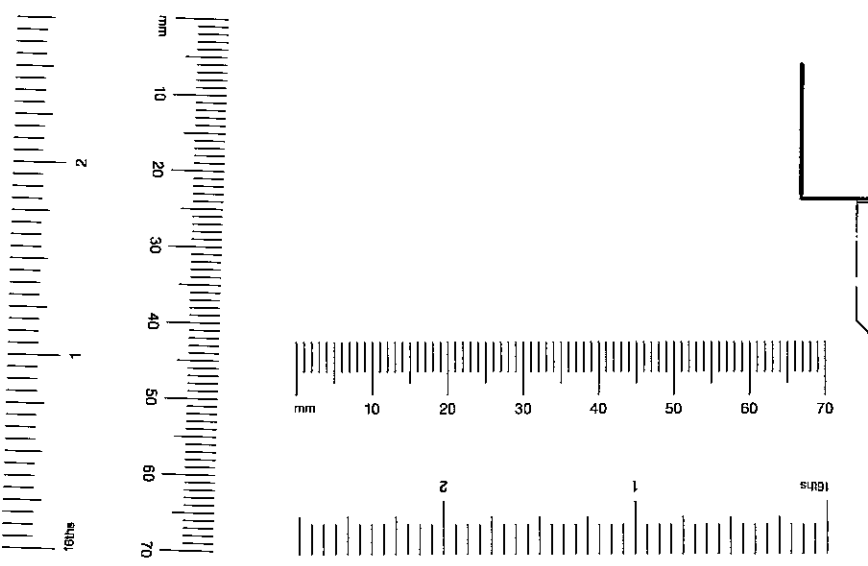


Side view of
FRONT ELEVATION

FRONT ELEVATION
PROPOSED

GENERAL NOTES

- A New projecting sign to be aluminium panel, finish light green. c/w fret cut logo. Internally illuminated.
- B New limestone clad fascia, also to left hand return.
- C New limestone cladding to pier.
- D Existing fire hydrant.
- E Existing fire hydrant symbol.
- F New limestone to stall riser.
- G Existing shopfront framework refinished.
- H New brushed stainless steel built up letters stood off fascia. c/w back lite 'halo' illumination.
- I New brushed stainless steel built up letters stood off fascia - non illuminated.
- J Internally illuminated half sphere globe hung internally.
- K "Flying Pig" flat aluminium panel stood off glazing externally.
- L New armour plate glass doors c/w new brushed stainless steel patch fittings & handles.



Plan view of
FRONT ELEVATION

DELIVERED
 REVISIONAL
 14 MAY 2003

NOTES:
 ALL DIMENSIONS IN MILLIMETRES.
 DO NOT SCALE FROM DRAWING

REVISIONS DATE BY

JUSTIN REYNOLDS INTERIOR PROJECTS
 4 The Mews
 Moorhaven
 Ivybridge
 Devon PL21 0XJ
 Tel/fax: 01752 691275

- Preliminary
- Tender
- Contract
- As Built

CA03072

PROJECT TITLE
**Trotters Childrenswear
 High St. Kensington
 London**

DRAWING TITLE
Proposed shopfront

SCALE DRAWN DATE
 1:50 MJA 17/3/2003

DRAWING NUMBER REV NO.
 105_Trot_shopfront

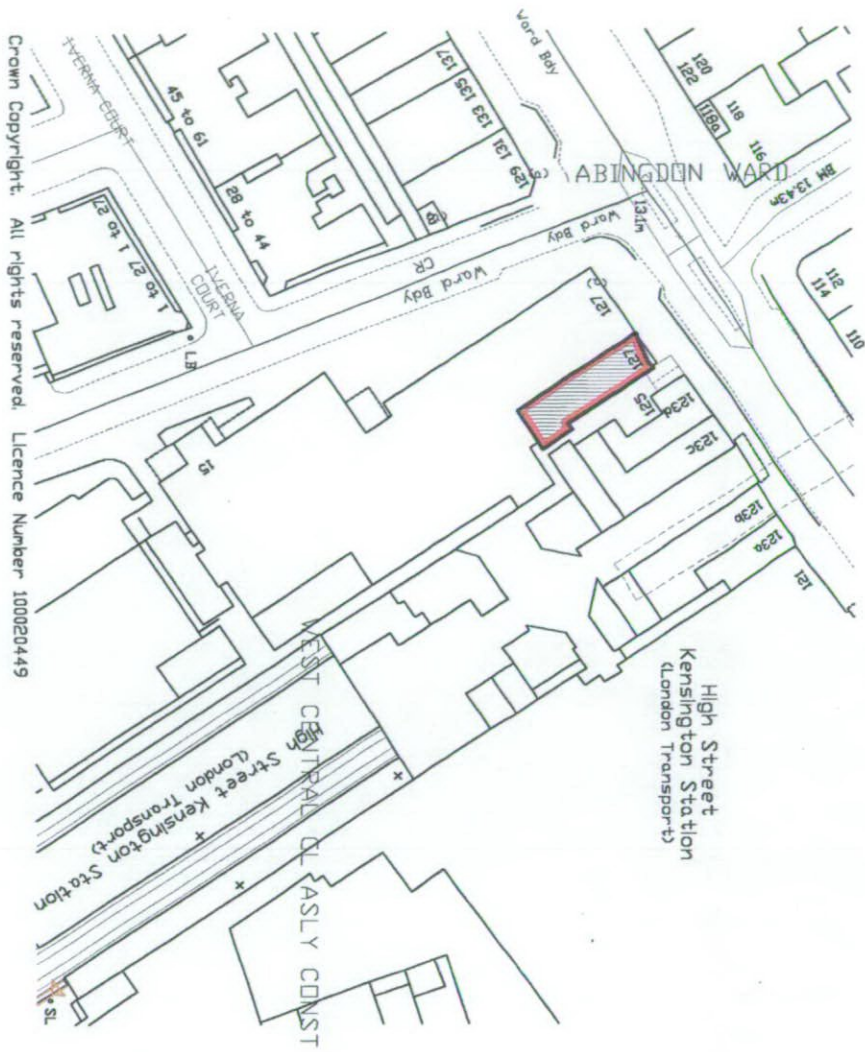
R.A. K.C. 20 MAR 2003
 J.A.B. 14 MAR 2003
 J.A.B. 14 MAR 2003
 J.A.B. 14 MAR 2003
 J.A.B. 14 MAR 2003

**Trotters Childrenswear
 High St. Kensington**

PP 30670



R	INDG	IP	CAC	AD	CLU	AO	AK
R.B. 20 MAR 2003 3 LANNING							
C	SW	SE	APP	IO	REC		
ARB			FPLN		DES		
FEES							



Crown Copyright. All rights reserved. Licence Number 100020449

PP 30670

**Troters - 127 High St.
Kensington, London**

NOTES:
ALL DIMENSIONS IN MILLIMETRES
DO NOT SCALE FROM DRAWING

REVISIONS	DATE	BY

JUSTIN REYNOLDS INTERIOR PROJECTS
1 The Mews
Moonhaven
Wybridge
Devon PL21 0XU
Tel/fax: 01752 691275

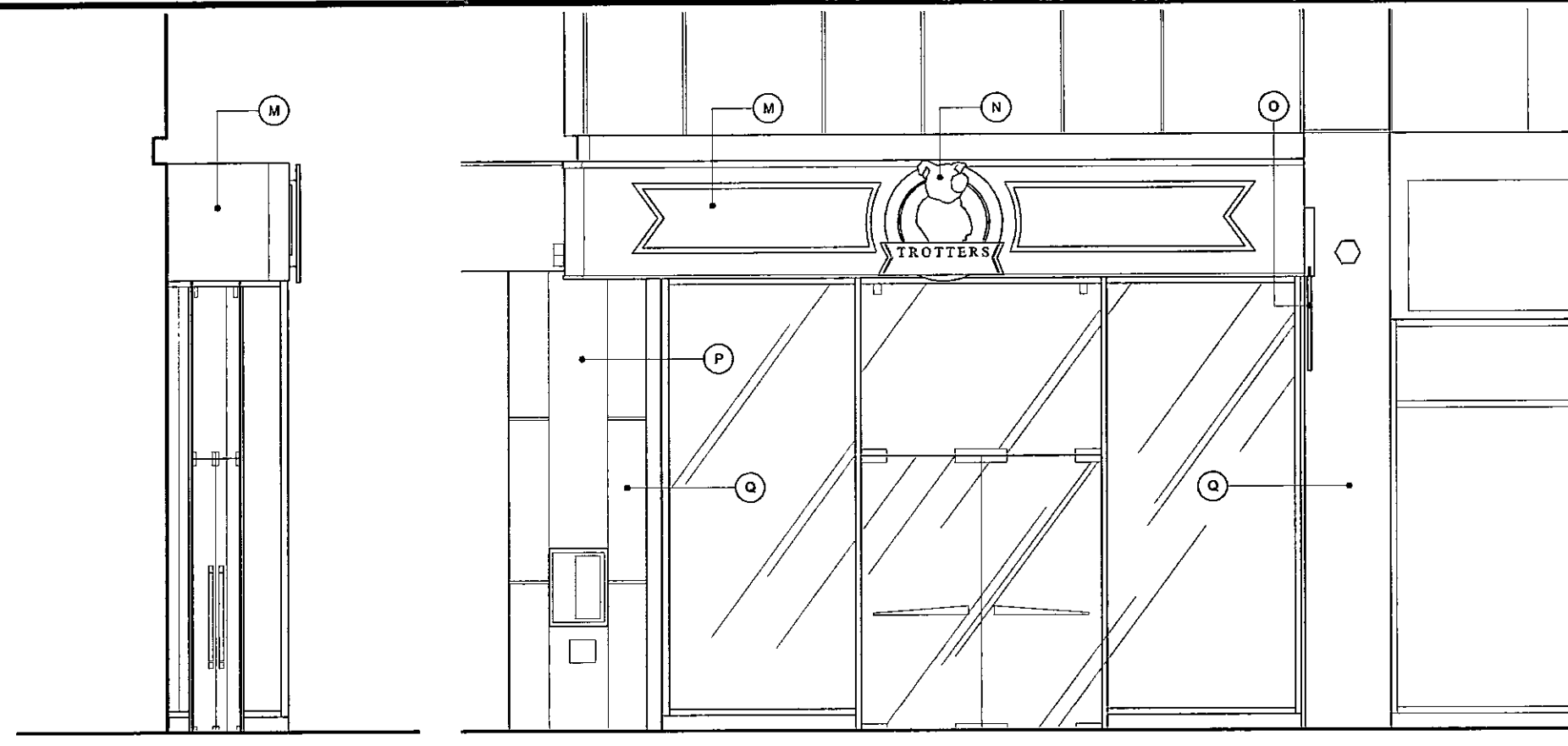
- Preliminary
- Tender
- Contract
- As Built

PROJECT TITLE
Troters Childrensware
127 High St.
Kensington, London

DRAWING TITLE
SITE PLAN

SCALE	DRAWN	DATE
1:1250	MAA	17/2/2009
DRAWING NUMBER	REV. NO.	
105_TroL_08		

PP/03/00670 (6)



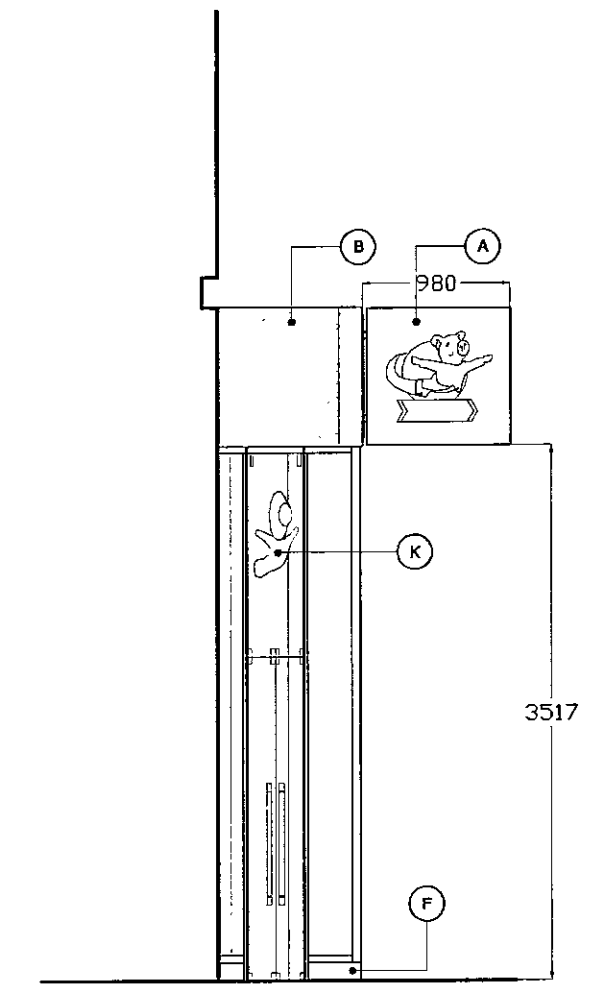
Side view of FRONT ELEVATION

FRONT ELEVATION EXISTING

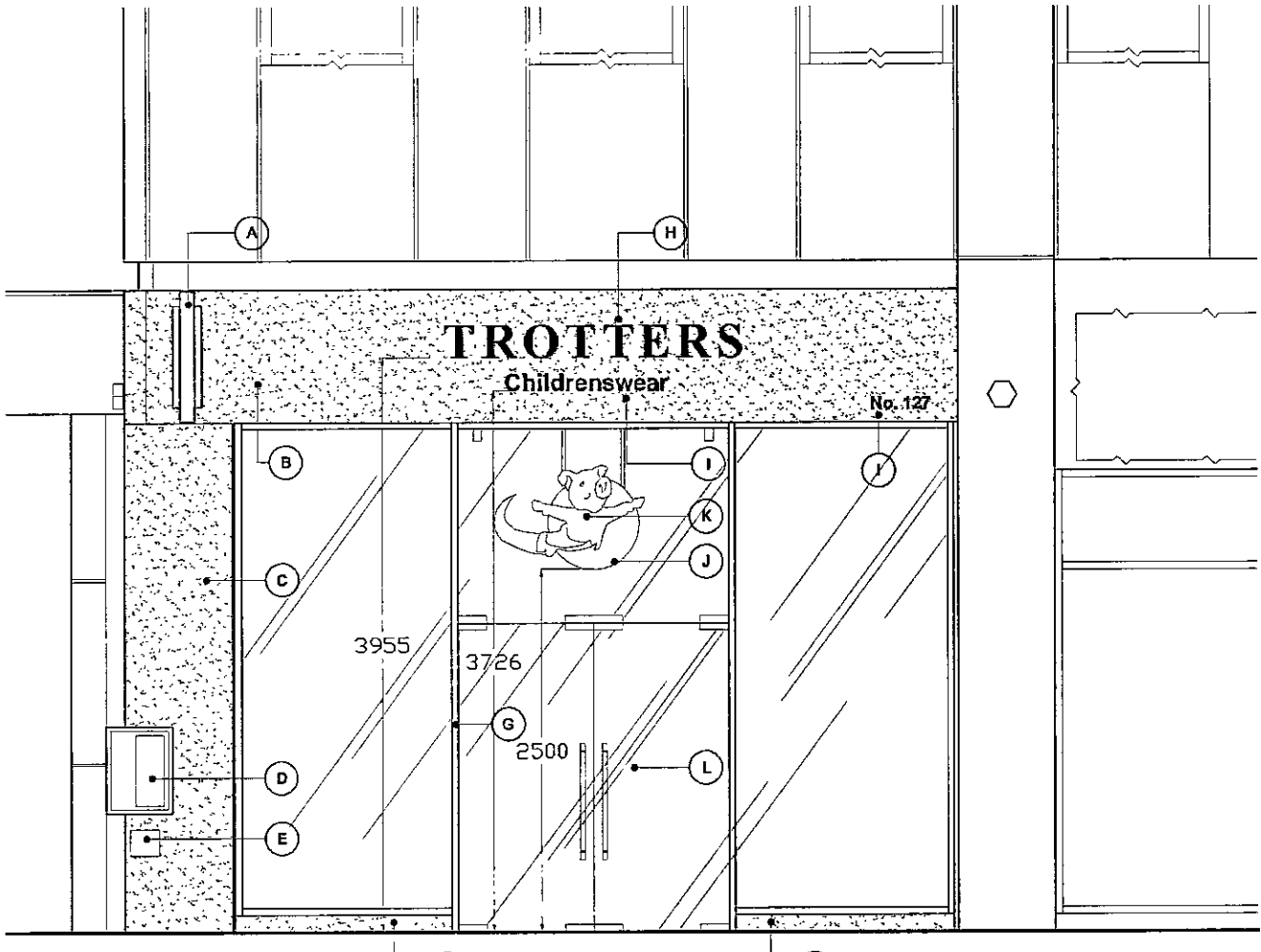
GENERAL NOTES

- M White painted fascia panelling c/w raised coloured trims.
- N Stand off coloured logo panel.
- O Logo panel hung from projecting bracket.
- P White painted vertical panel.
- Q Existing stonework finish.

NOTES:
ALL DIMENSIONS IN MILLIMETRES.
DO NOT SCALE FROM DRAWING



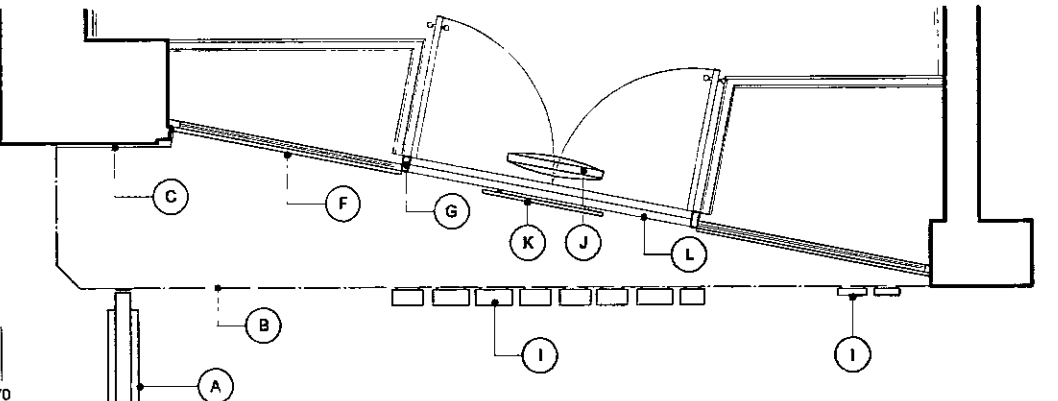
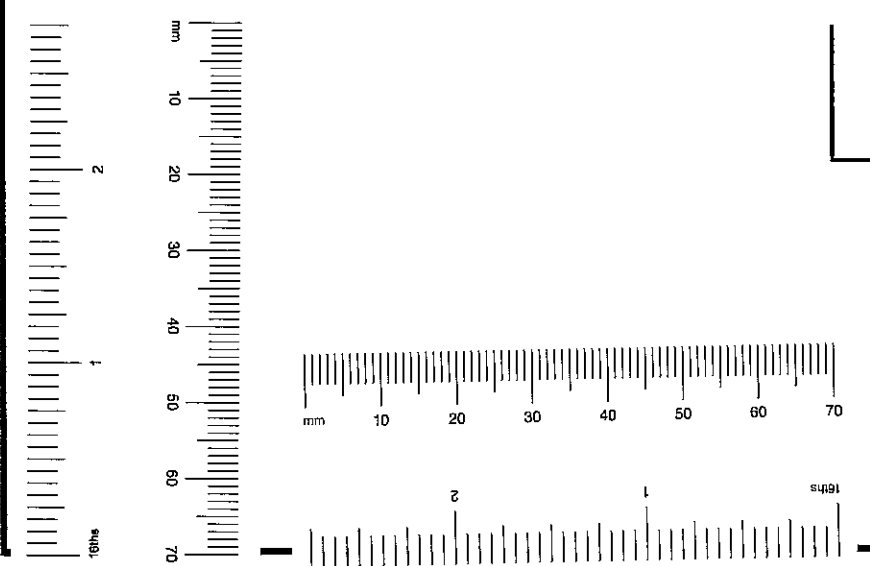
Side view of FRONT ELEVATION



FRONT ELEVATION PROPOSED

GENERAL NOTES

- A New projecting sign to be aluminium panel, finish light green. c/w fret cut logo. Internally illuminated.
- B New limestone clad fascia, also to left hand return.
- C New limestone cladding to pier.
- D Existing fire hydrant.
- E Existing fire hydrant symbol.
- F New limestone to stall riser.
- G Existing shopfront framework refinished.
- H New brushed stainless steel built up letters stood off fascia, c/w back lite 'halo' illumination.
- I New brushed stainless steel built up letters stood off fascia - non illuminated.
- J Internally illuminated half sphere globe hung internally.
- K "Flying Pig" flat aluminium panel stood off glazing externally.
- L New armour plate glass doors c/w new brushed stainless steel patch fittings & handles.



Plan view of FRONT ELEVATION

REVISIONS	DATE	BY

JUSTIN REYNOLDS INTERIOR PROJECTS
4 The Mews
Moorhaven
Ivybridge
Devon PL21 0XJ

Tel/fax: 01752 691275

PROJ: 105_Trot_shopfront
 P.P. 3/06/70
 17/03/2003
 17/03/2003

Trotters Childrenswear
High St. Kensington
London

DRAWING TITLE
Proposed shopfront

SCALE DRAWN DATE
1:50 MJA 17/3/2003

DRAWING NUMBER REV NO.
105_Trot_shopfront

Trotters Childrenswear
High St. Kensington