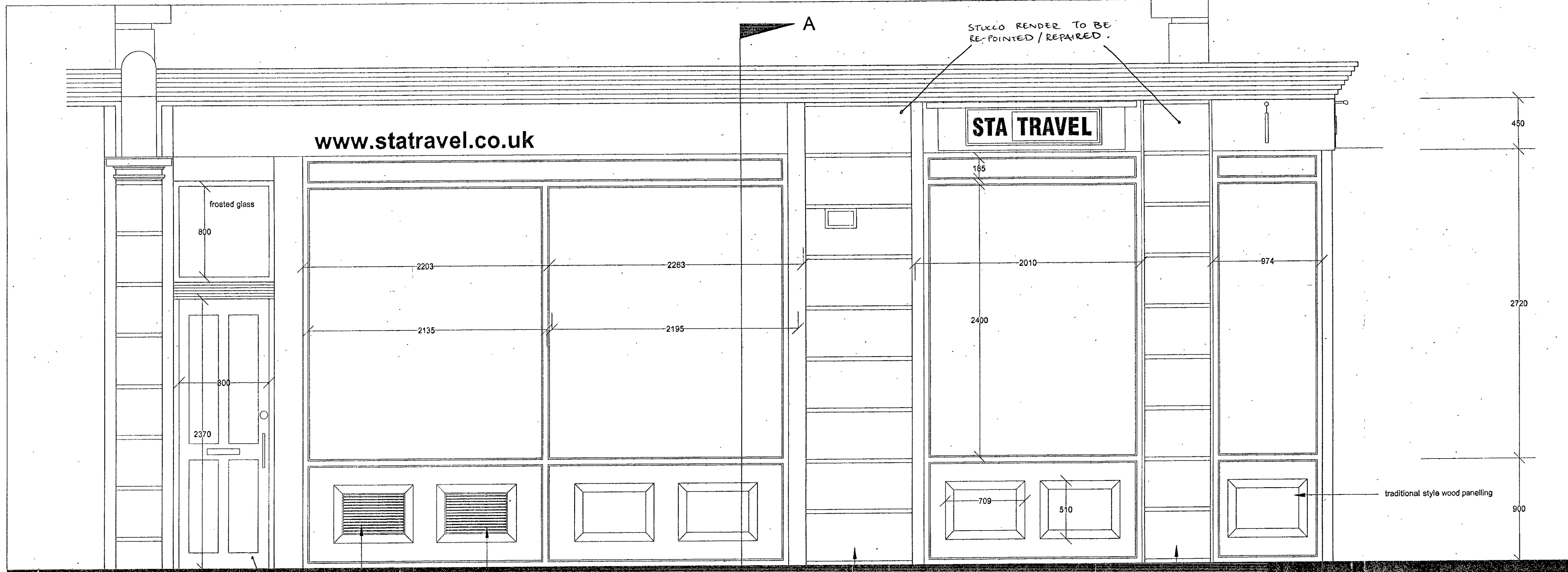


NOTES

1



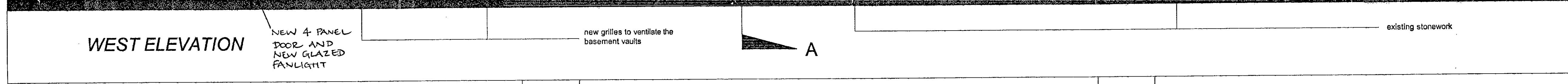
WEST ELEVATION

NEW 4 PANEL DOOR AND NEW GLAZED FANLIGHT

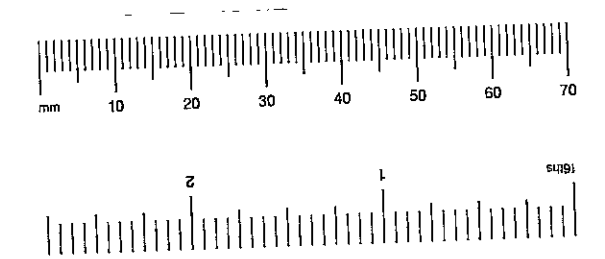
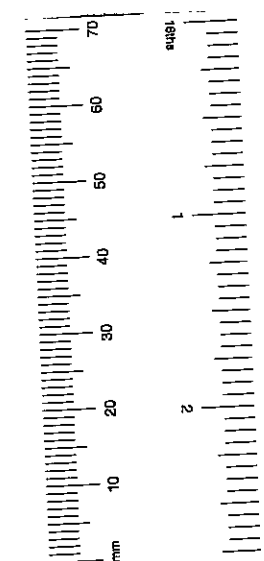
new grilles to ventilate the basement vaults

traditional style wood panelling

existing stonework



SOUTH ELEVATION



traditional style wood panelling

timber panel

obsured glass due to visibility of roof structure behind

existing brickwork

8 mm laminated glass

width of timber panel to accommodate internal wall thickness

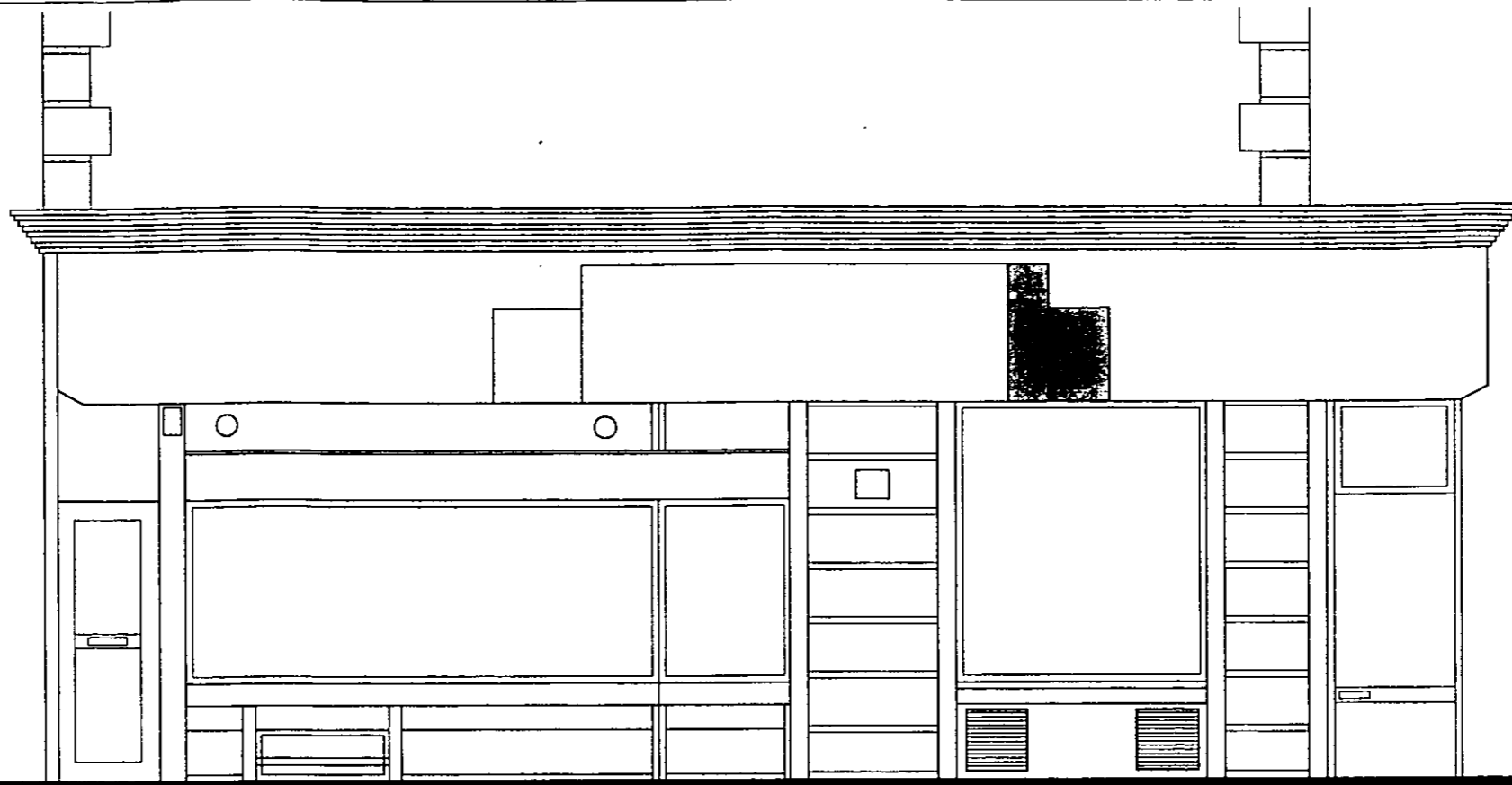
DELEGATED APPROVAL
29 JAN 2001

R.B.K.&C.
TOWN PLANNING
19 DEC 2000
RECEIVED

CLIENT STA Travel		
PROJECT Earls Court Hogarth Rd		
DRAWING Proposed Elevations		
DATE 07.11.00	DRAWN zs	CHECKED PT
ESSEX GOODMAN SUGGITT Chartered Architects 1 Heddon Street London W1B 4BD Tel. 020 7734 8500 Fax. 020 7734 8666 Email: <name>@eggslondon.co.uk		
SCALE 1:20	DWG No. 1038/sk/106_107	REV 1

ALL MODIFICATIONS SUBJECT TO LOCAL AUTHORITY APPROVALS

NOTES

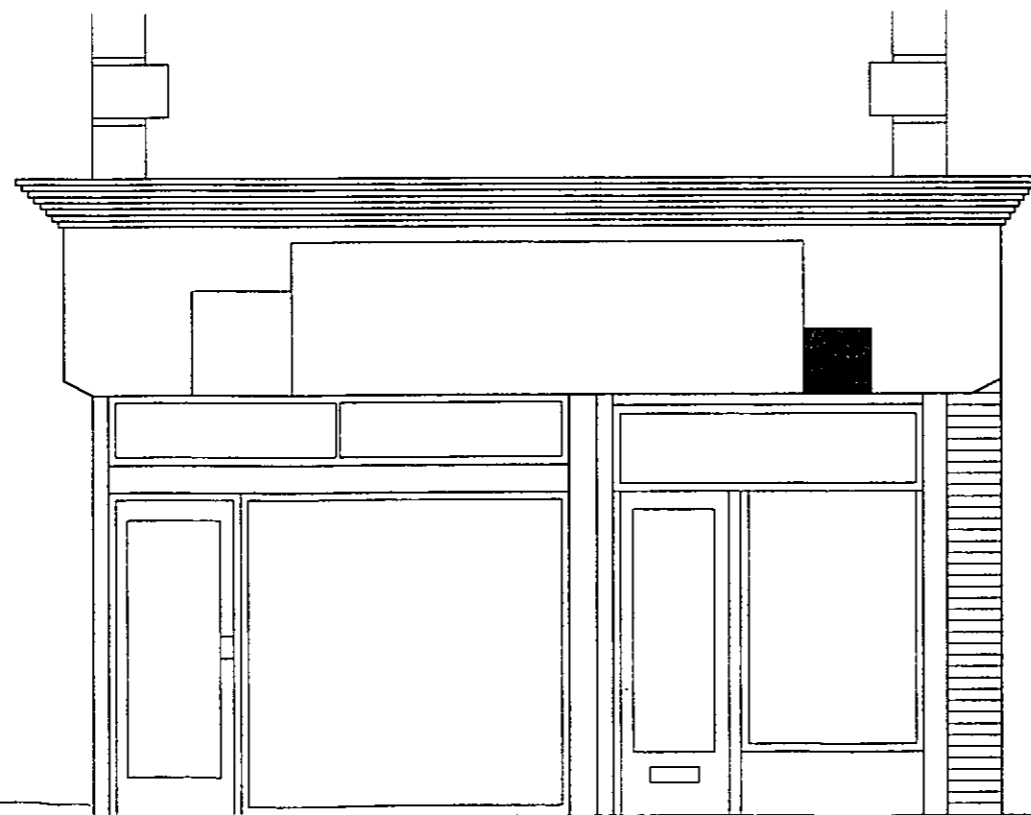


RECEIVED
18 DEC 2000
TOWN PLANNING
R.B.K. & C.

P.P.002887

WEST ELEVATION 1:50

DELEGATED
APPROVAL
29 JAN 2001



street ←

SOUTH ELEVATION 1:50

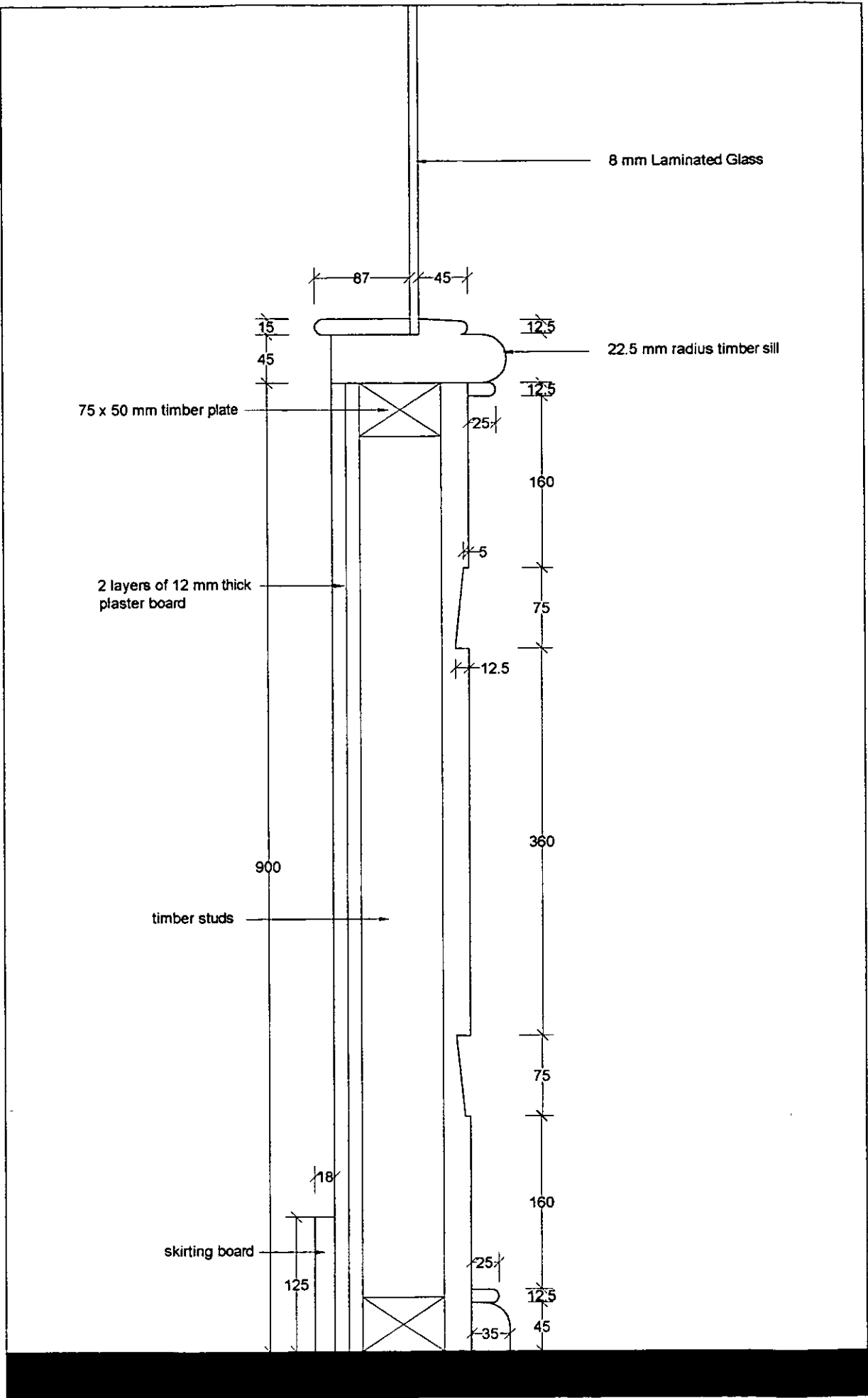
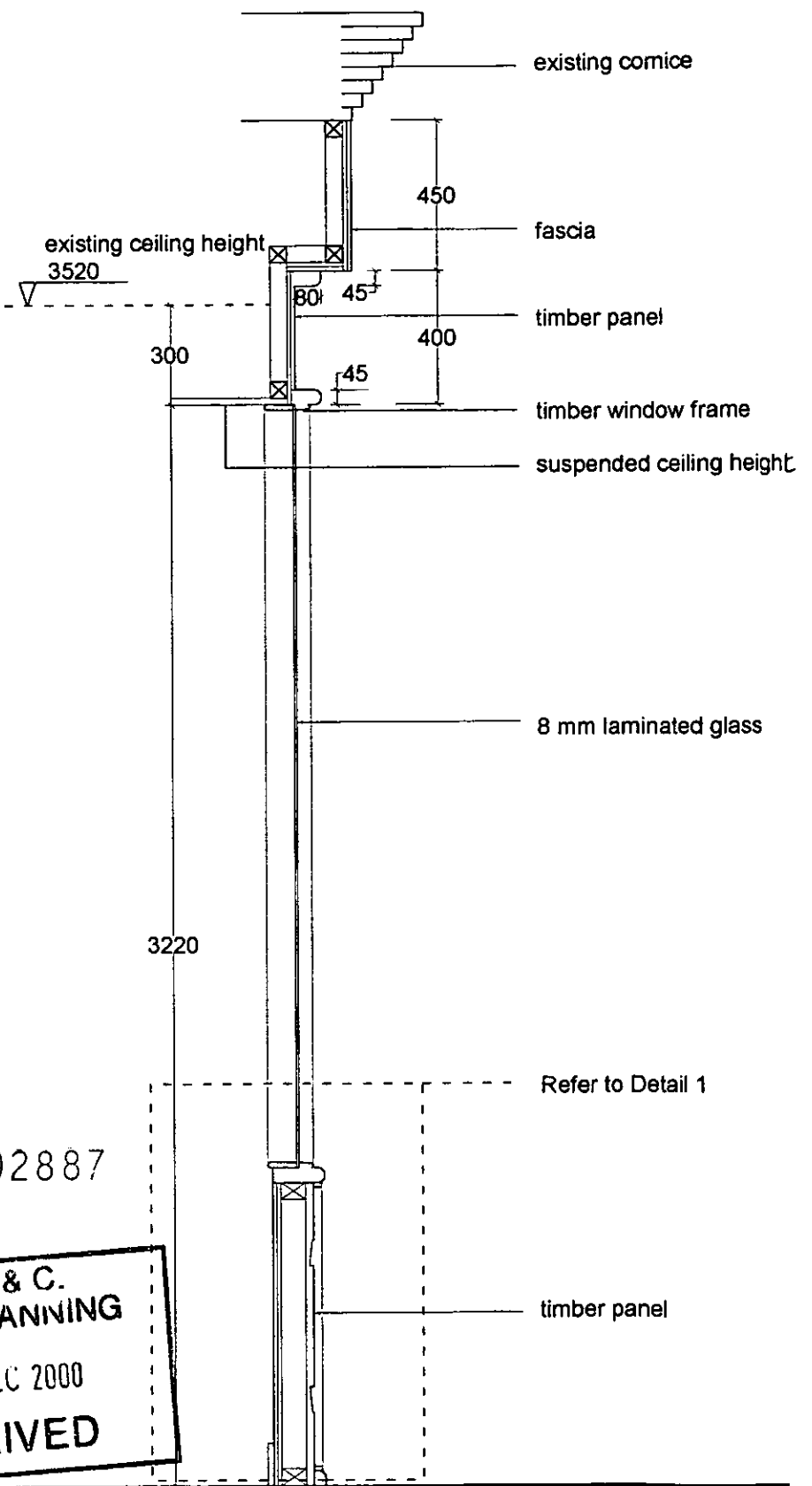
CLIENT STA Travel		
PROJECT Earls Court Hogarth Road		
DRAWING Existing Elevations		
DATE 15/09/00	DRAWN ZS	CHECKED




Chartered Architects
1 Heddon Street London W1B 4BD
Tel. 020 7734 8500 Fax. 020 7734 8666
Email: <name>@egslondon.co.uk

SCALE 1:50	DRG NO. 1038/sk/006_007	REV
---------------	----------------------------	-----

NOTES



DELEGATED APPROVAL
29 JAN 2001

CLIENT STA Travel		
PROJECT Earls Court Hogarth Rd		
DRAWING Shop Front Details Section A-A		
DATE 11.12.00	DRAWN JC	CHECKED PT
 Chartered Architects 1 Heddon Street London W1B 4BD Tel. 020 7734 8500 Fax. 020 7734 8666 Email: <name>@egslondon.co.uk		
SCALE As indicated	DRG No. 1038/BD/100	REV A

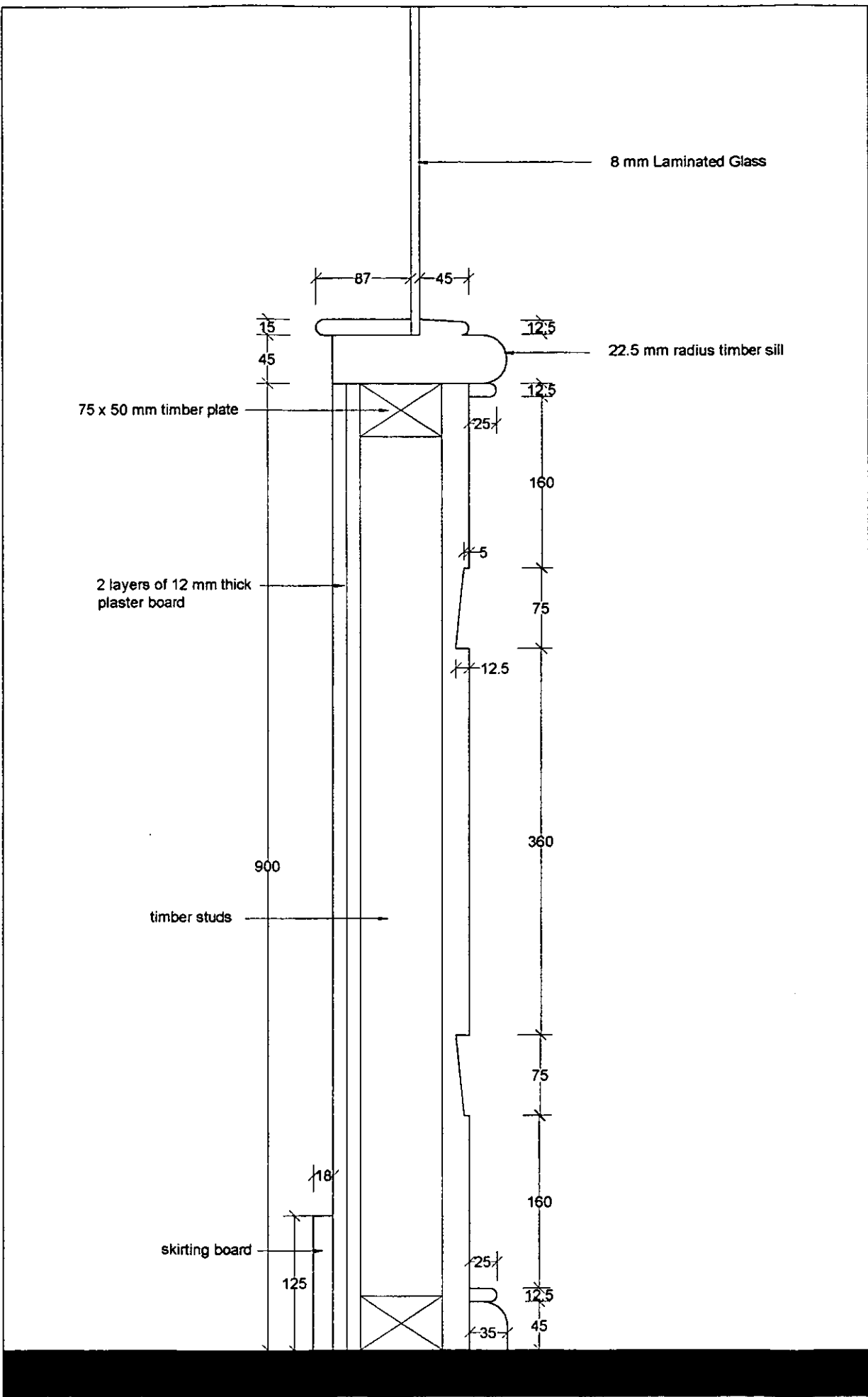
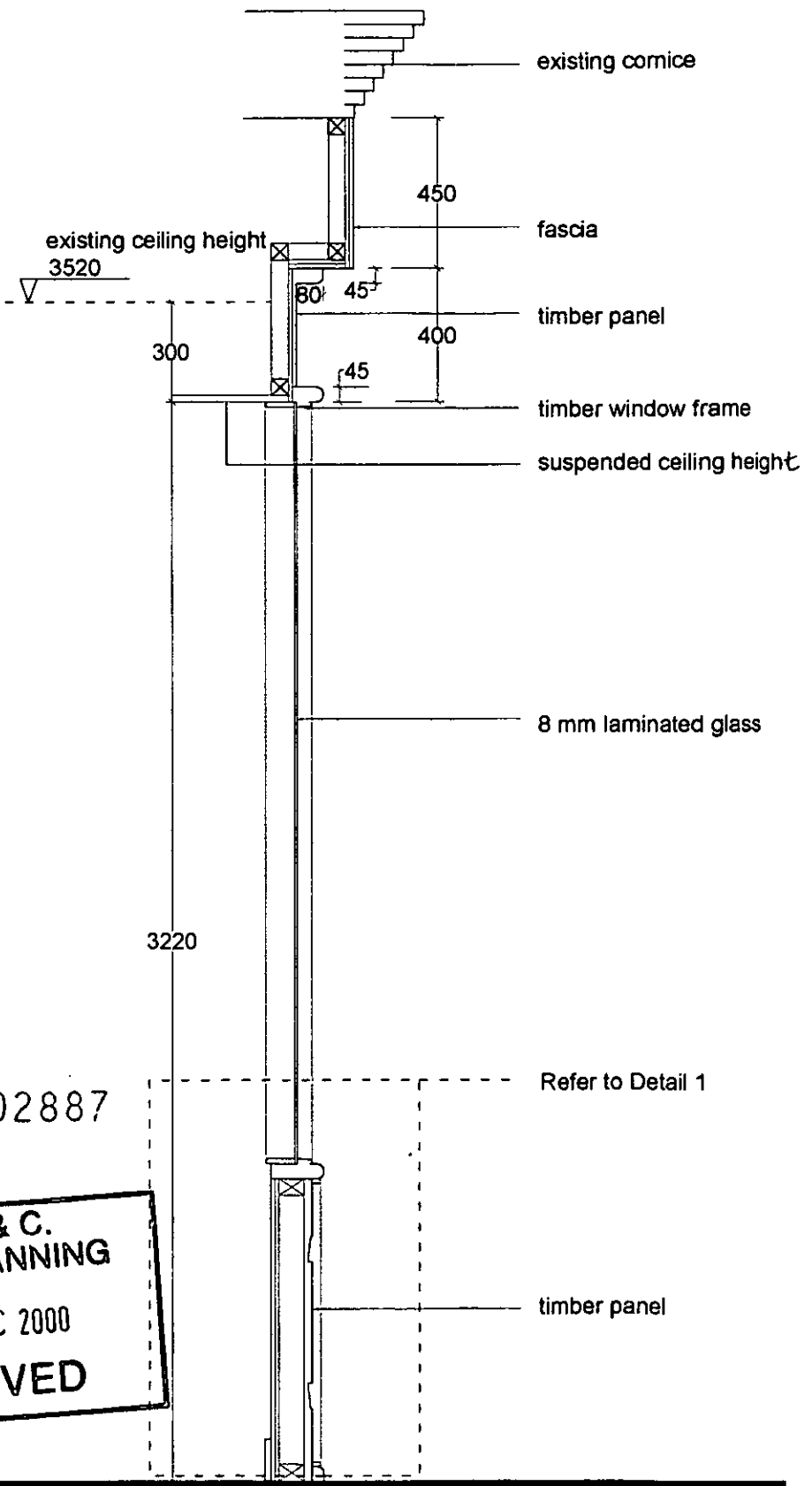
PP002887

R.B.K. & C.
TOWN PLANNING
18 DEC 2000
RECEIVED

Section A-A 1:20

Detail 1 1:5

NOTES




PP002887

R.B.K. & C.
TOWN PLANNING
18 DEC 2000
RECEIVED

Section A-A 1:20

Detail 1 1:5

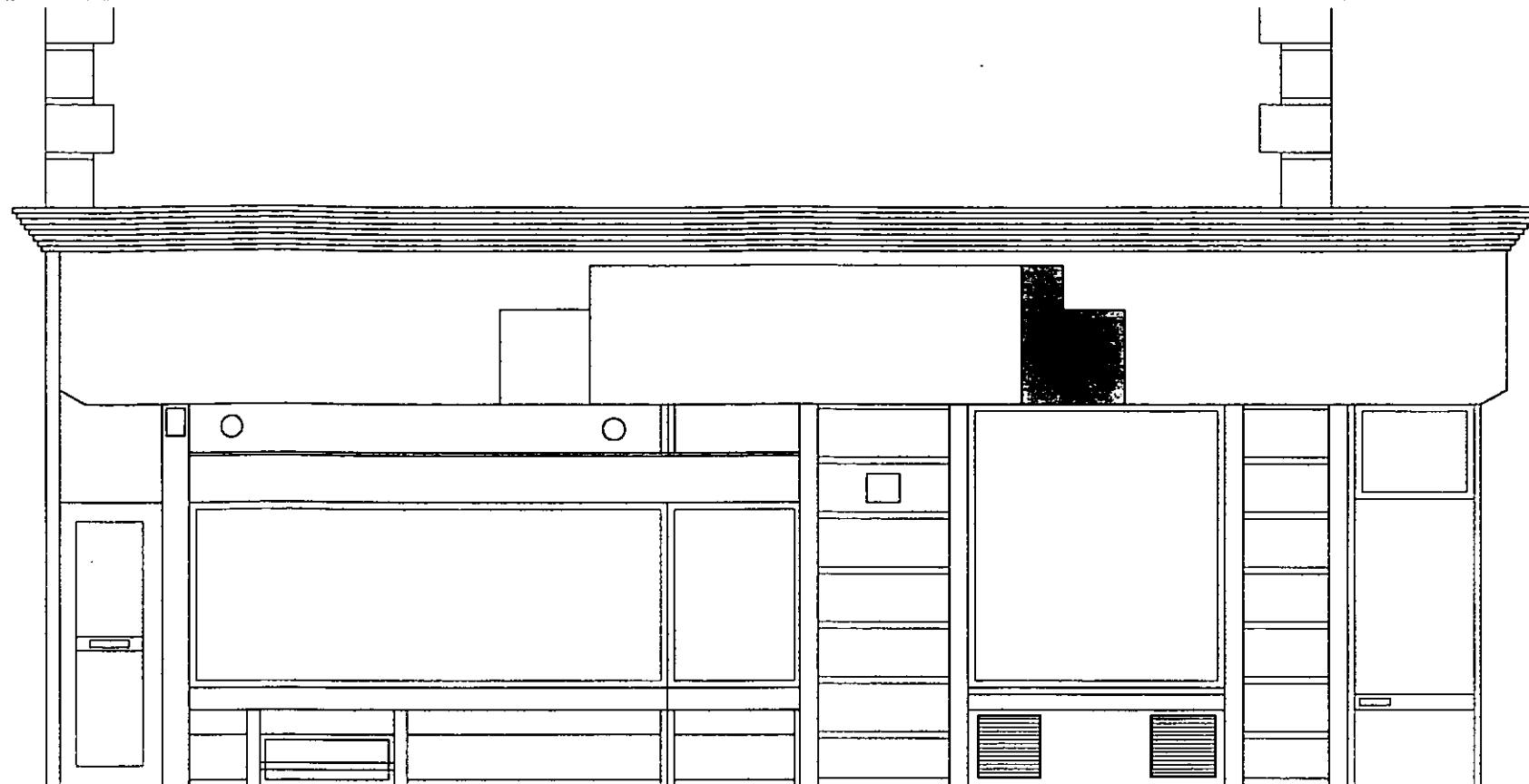
CLIENT STA Travel		
PROJECT Earls Court Hogarth Rd		
DRAWING Shop Front Details Section A-A		
DATE 11.12.00	DRAWN JC	CHECKED PT
 Chartered Architects 1 Heddon Street London W1B 4BD Tel. 020 7734 8500 Fax. 020 7734 8666 Email: <name>@egslondon.co.uk		
SCALE As indicated	DRG NO. 1038/BD/100	REV A

ALL MODIFICATIONS SUBJECT TO LOCAL AUTHORITY APPROVALS

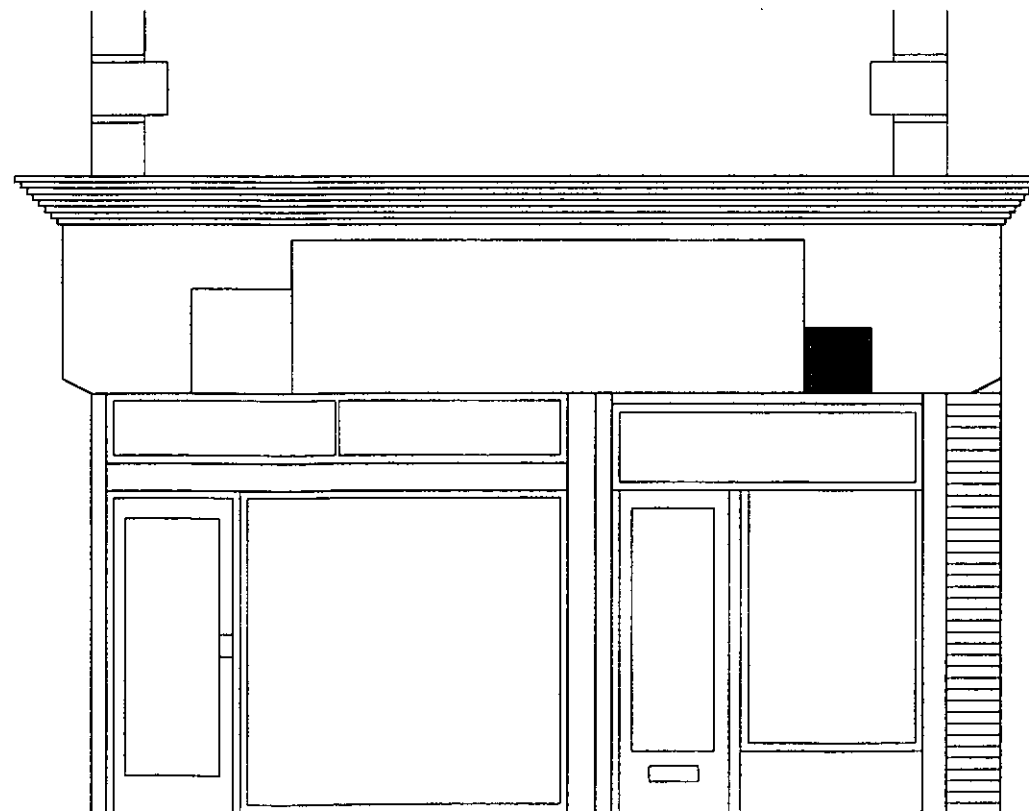
NOTES

R.B.K. & C.
TOWN PLANNING
18 DEC 2000
RECEIVED

PP 002887



WEST ELEVATION 1:50



SOUTH ELEVATION 1:50

CLIENT STA Travel		
PROJECT Earls Court Hogarth Road		
DRAWING Existing Elevations		
DATE 15/09/00	DRAWN ZS	CHECKED

**ESSEX GOODMAN
SUGGITT**

Chartered Architects
1 Heddon Street London W1B 4BD
Tel. 020 7734 8500 Fax. 020 7734 8666
Email: <name>@egslondon.co.uk

SCALE 1:50	DRG NO. 1038/sk/006_007	REV
---------------	----------------------------	-----

NOTES

2



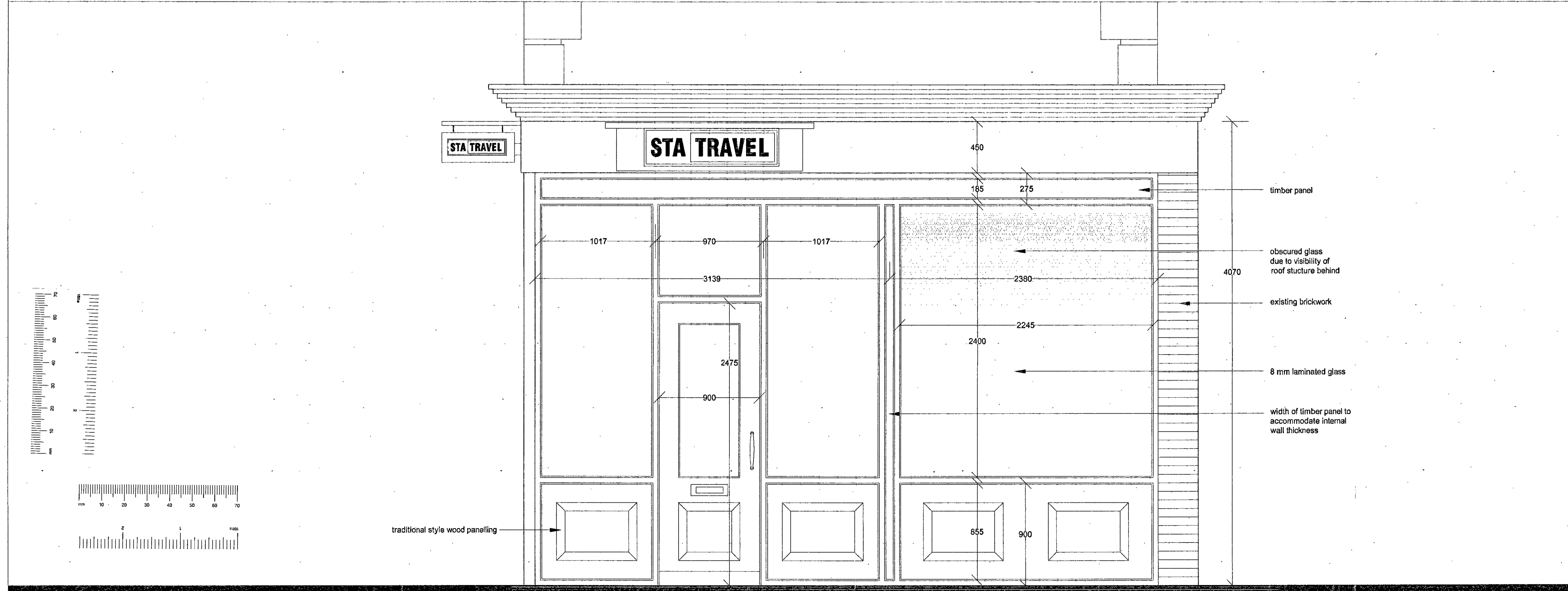
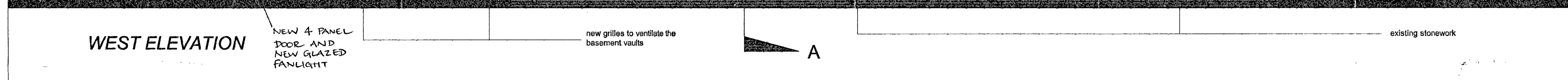
WEST ELEVATION

NEW 4 PANEL DOOR AND NEW GLAZED FANLIGHT

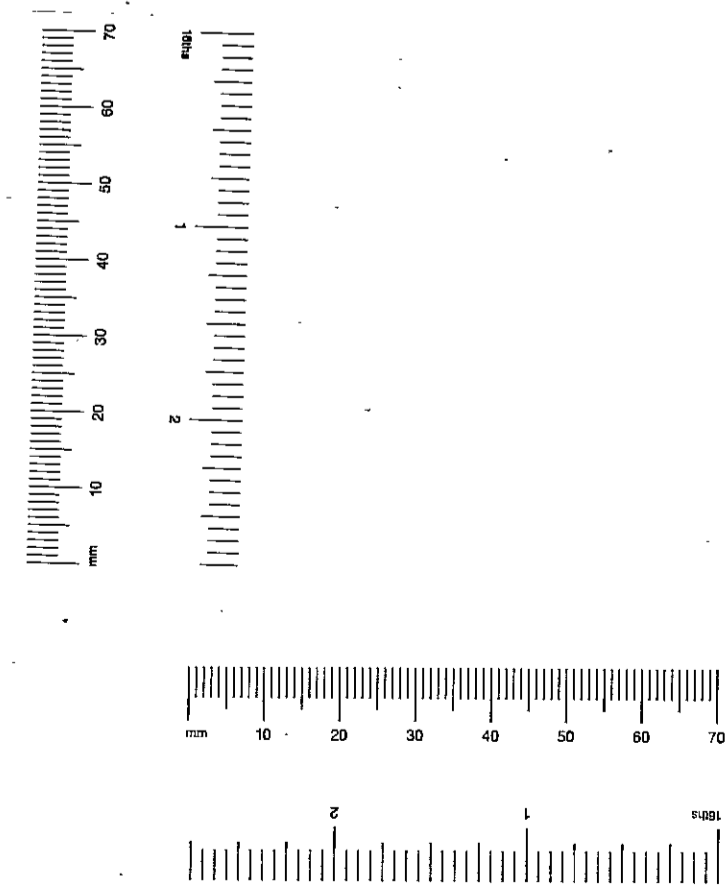
new grilles to ventilate the basement vaults

traditional style wood panelling

existing stonework



SOUTH ELEVATION



R.B.K. & C.
TOWN PLANNING
18 DEC 2000
RECEIVED

CLIENT STA Travel		
PROJECT Earls Court Hogarth Rd		
DRAWING Proposed Elevations		
DATE 07.11.00	DRAWN ZS	CHECKED PT
ESSEX GOODMAN SUGGITT Chartered Architects 1 Heddon Street London W1B 4BD Tel. 020 7734 8500 Fax. 020 7734 8666 Email: <name>@egolondon.co.uk		
SCALE 1:20	DWG NO. 1038/sk/106_107 I	REV



PP002887

PP002907

**R.B.K. & C.
TOWN PLANNING**
18 DEC 2000
RECEIVED

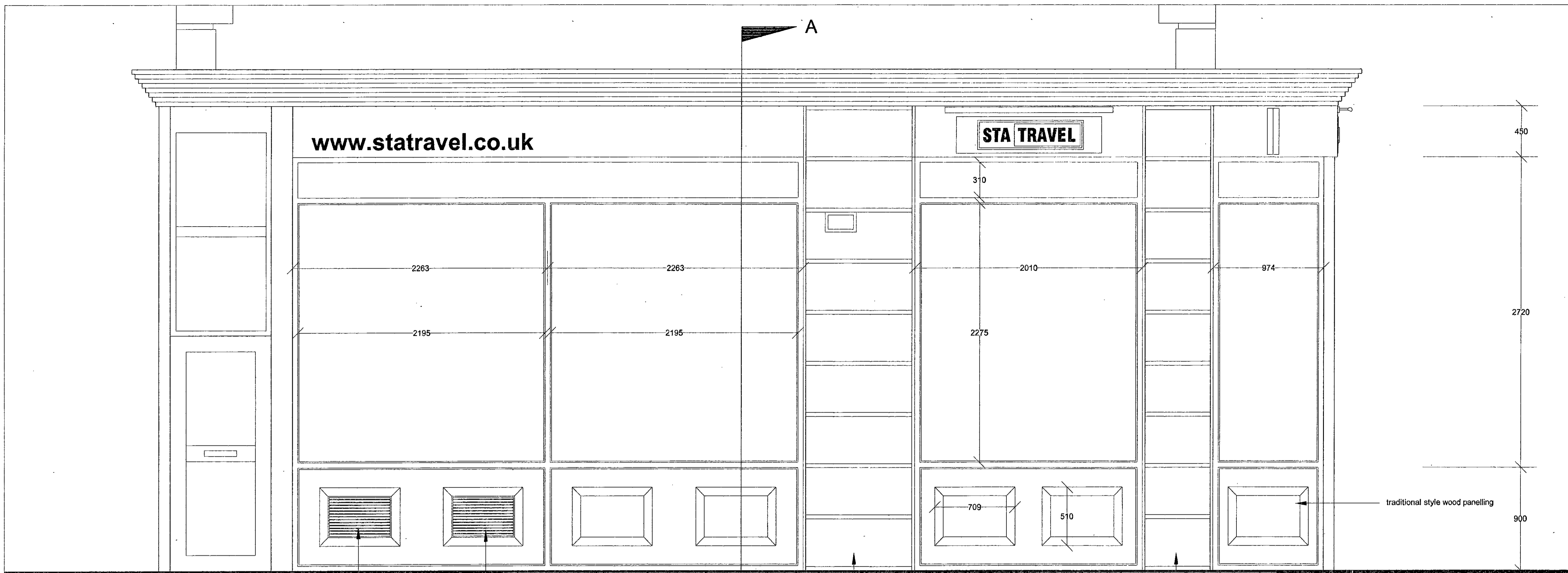
STA TRAVEL
2 HOGARTH ROAD
EARLS COURT
LONDON

LOCATION PLAN

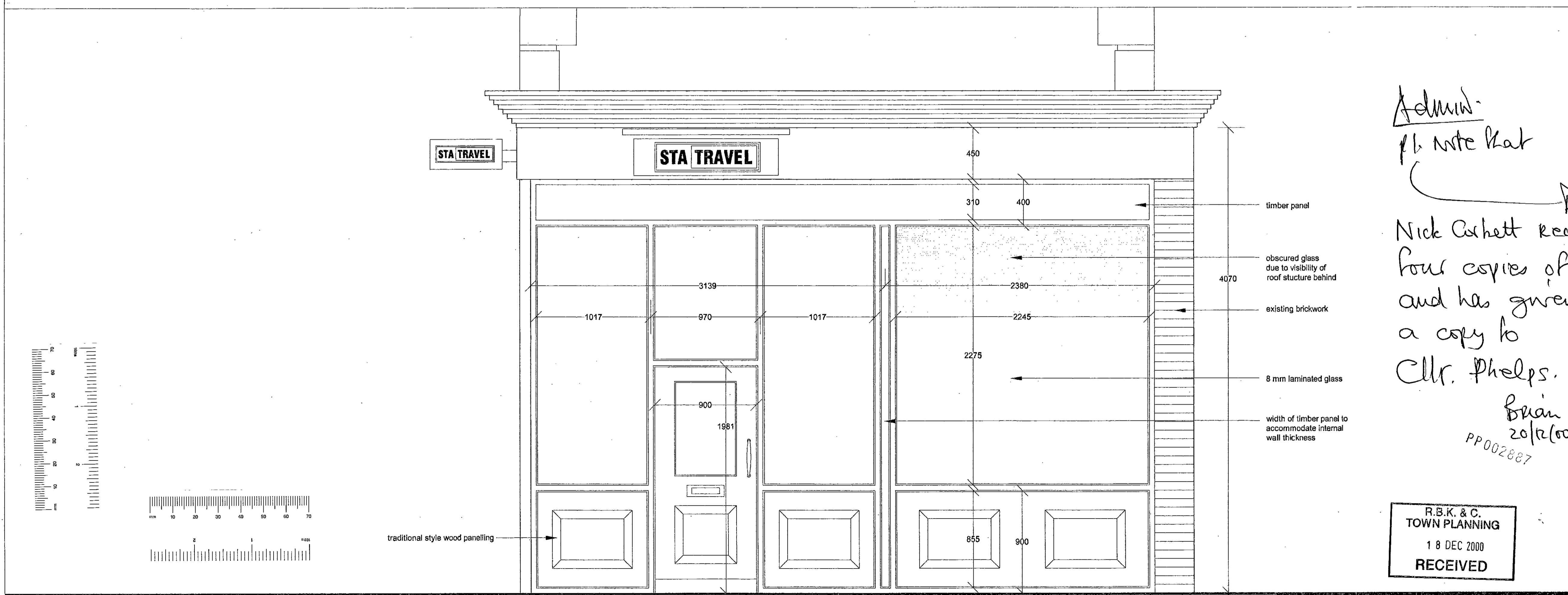
SCALE 1:1250

DATE 14/12/00

NOTES



WEST ELEVATION



SOUTH ELEVATION

Admin. pl. note that this originally submitted drawing has been superseded by 1038/sk/106_107 I

Nick Coshett received four copies of Rev I. on 19/12/00 and has given a copy to Cllr. Phelps.

Brian 20/12/00 PP002887

R.B.K. & C.
TOWN PLANNING
18 DEC 2000
RECEIVED

CLIENT	STA Travel		
PROJECT	Earls Court Hogarth Rd		
DRAWING	Proposed Elevations		
DATE	DRAWN	CHECKED	
07.11.00	ZS	PT	

ESSEX GOODMAN SUGGITT
Chartered Architects
1 Haddon Street London W1B 4BD
Tel. 020 7734 8500 Fax. 020 7734 8666
Email: <name>@egslondon.co.uk

SCALE	DATE	REV
1:20	1038/sk/106_107	H



STA TRAVEL
 2 HOGARTH ROAD
 EARLS COURT
 LONDON

LOCATION PLAN

SCALE 1:1250

DATE 14/12/00

PP002887

R.B.K. & C.
 TOWN PLANNING
 18 DEC 2000
 RECEIVED