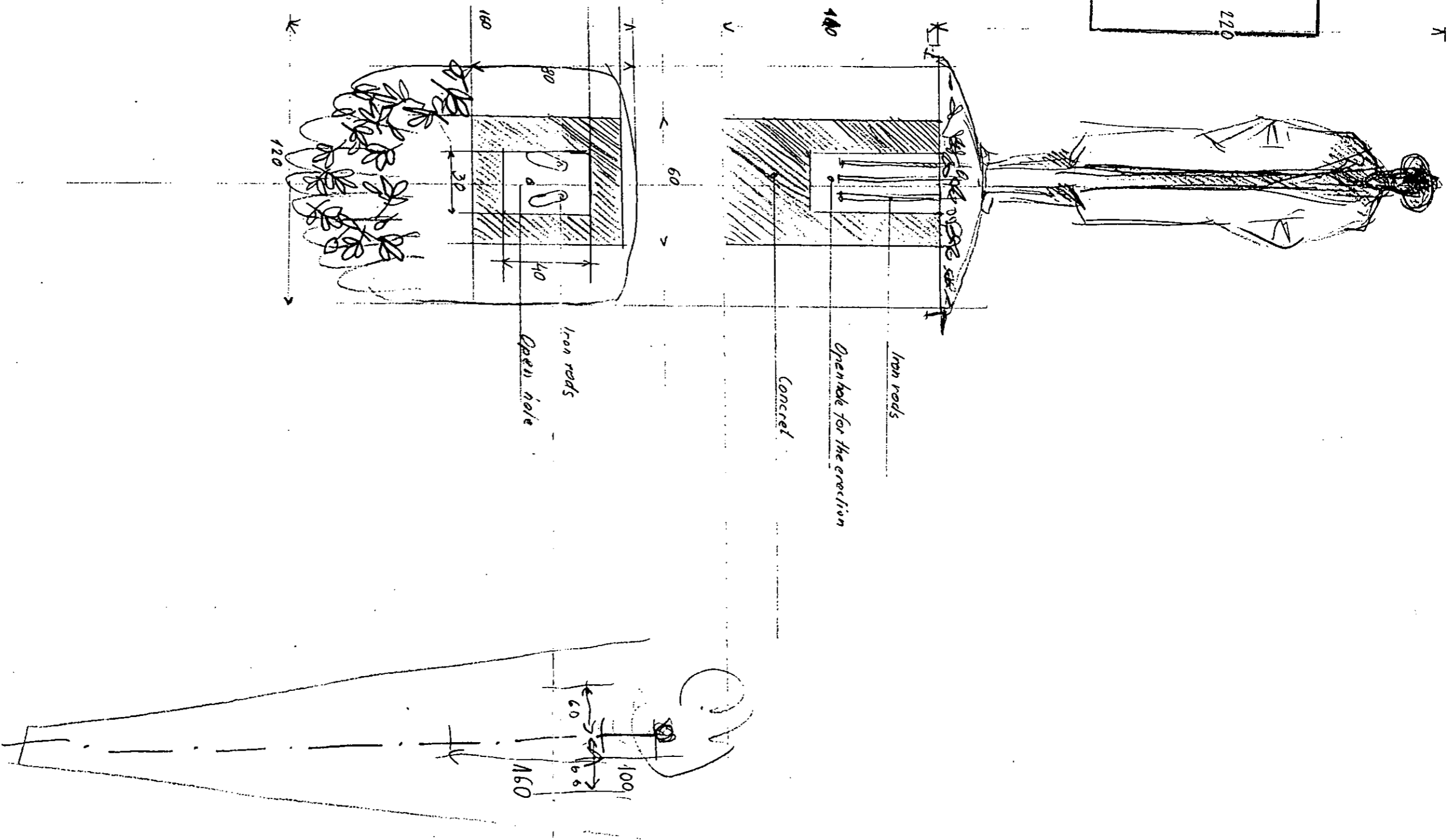


R.B.K.C.  
APPROVED BY  
THE COUNCIL ON  
13 FEB 2001  
220



o/g2

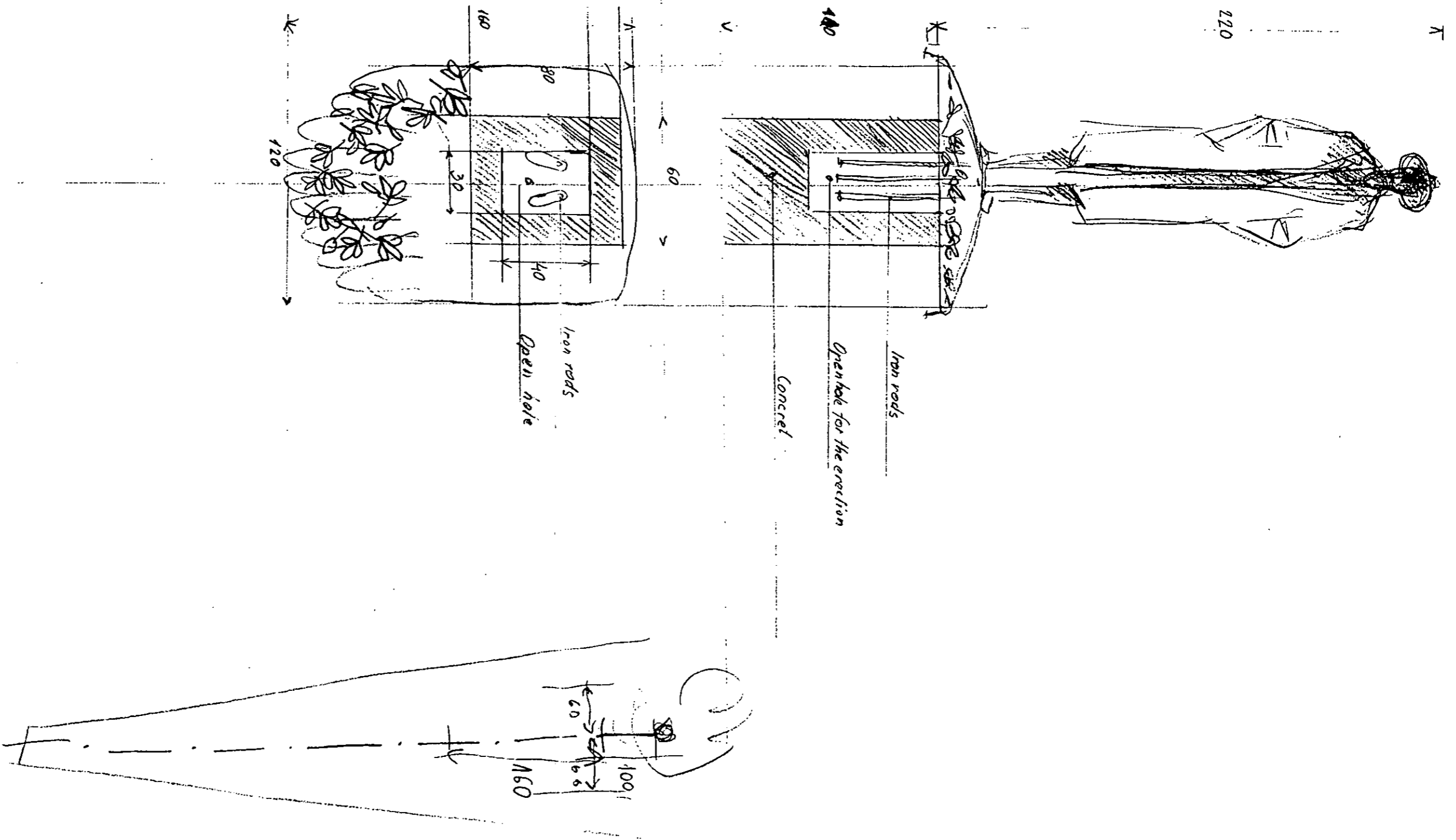
(5)

PP002892

R.B.K. & C.  
TOWN PLANNING  
18 DEC 2000  
RECEIVED

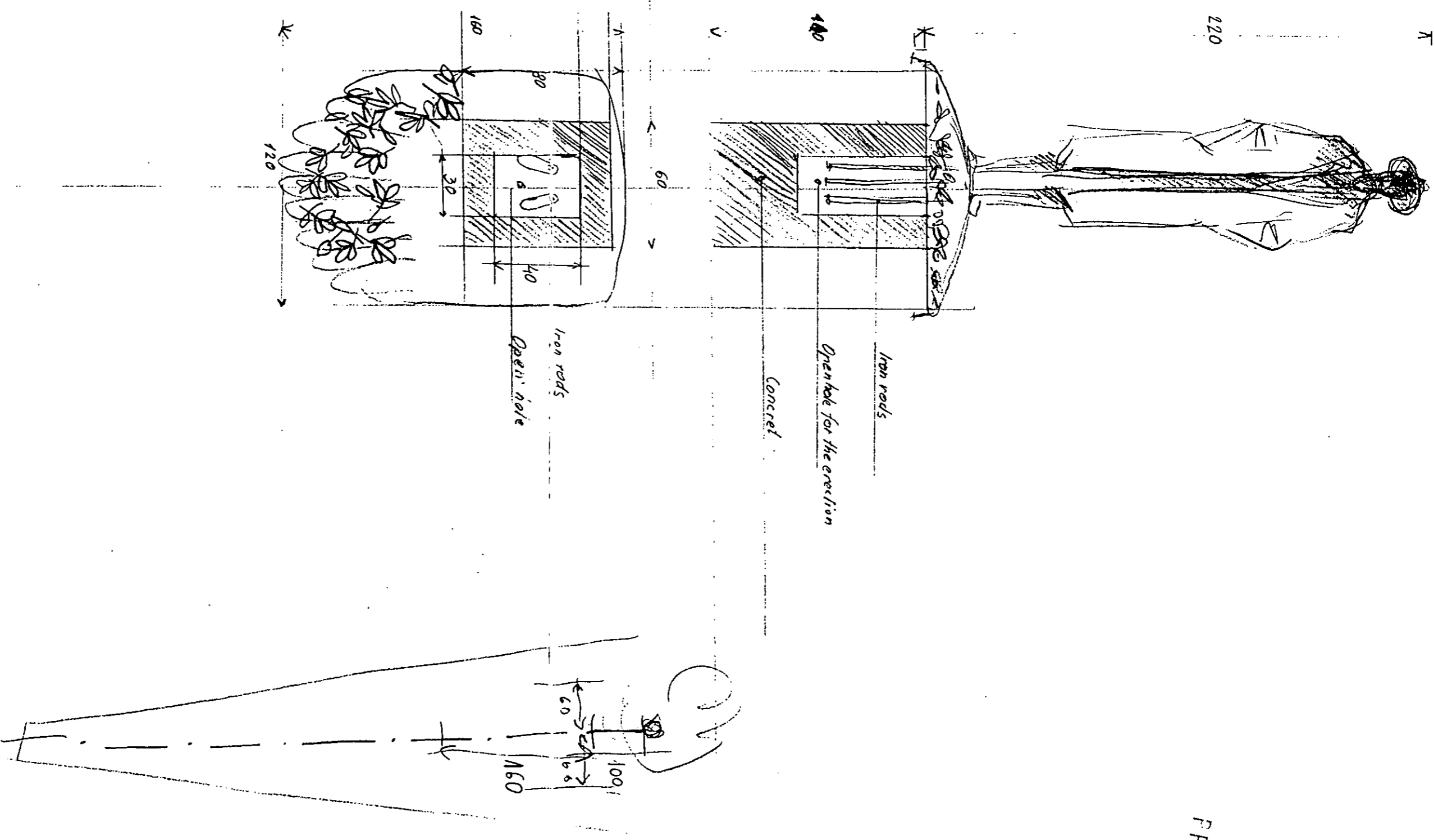
PP002892

PP002892



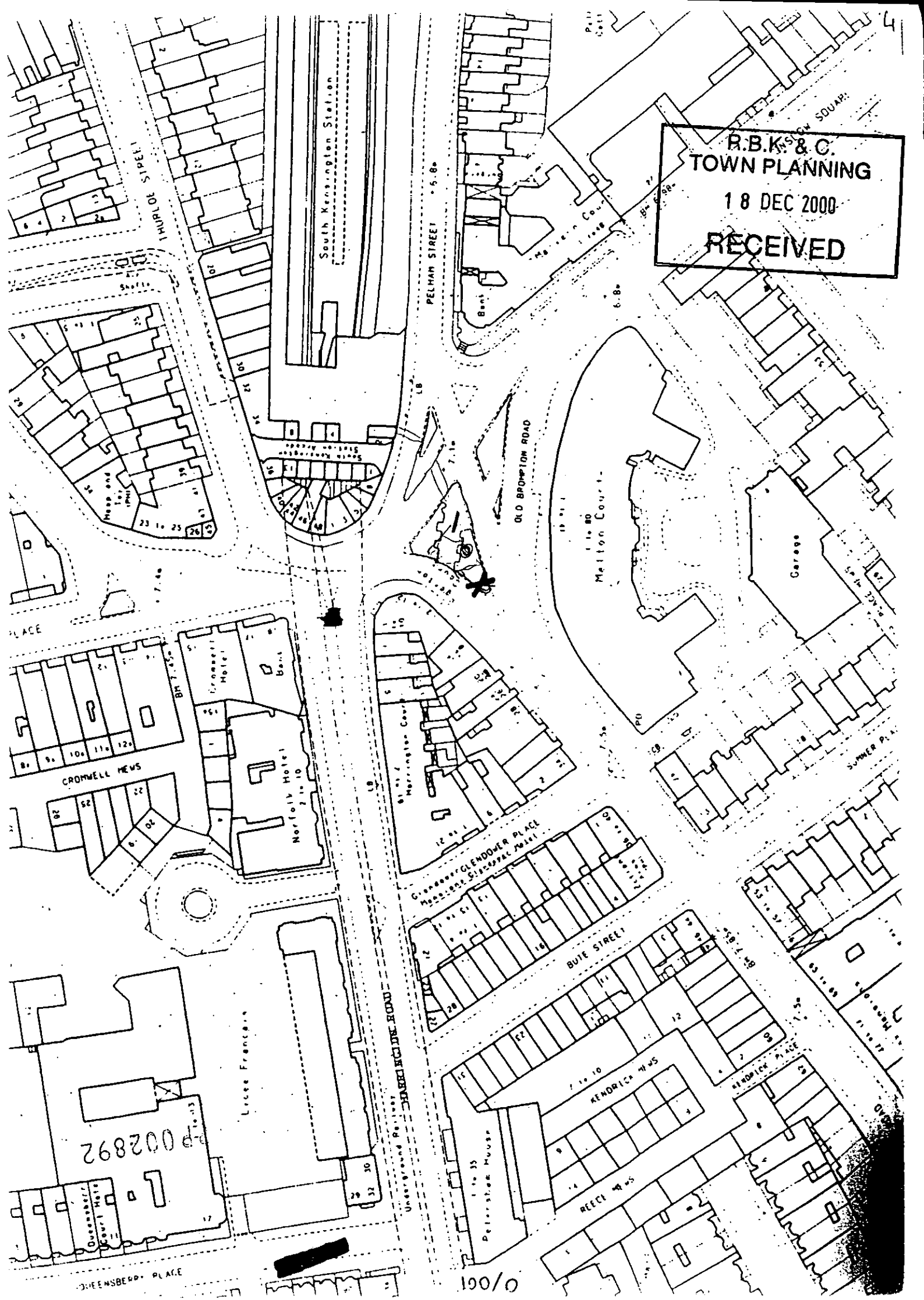
R.B.K. & C.  
 TOWN PLANNING  
 18 DEC 2000  
 RECEIVED

FP002892



R.B.K. & C.  
 TOWN PLANNING  
 18 DEC 2000  
 RECEIVED

R.B.K. & C.  
TOWN PLANNING  
18 DEC 2000  
RECEIVED



South Kensington Station

PELHAM STREET • 5.8•

OLD BROMPTON ROAD

Mellon Court

Lacee Francisc

Underground Railway

BUTE STREET

Granddower Place  
Hansons, St. Pancras Hotel

MENDRICK HOUSE

268200

100/0

QUEENSBERRY PLACE