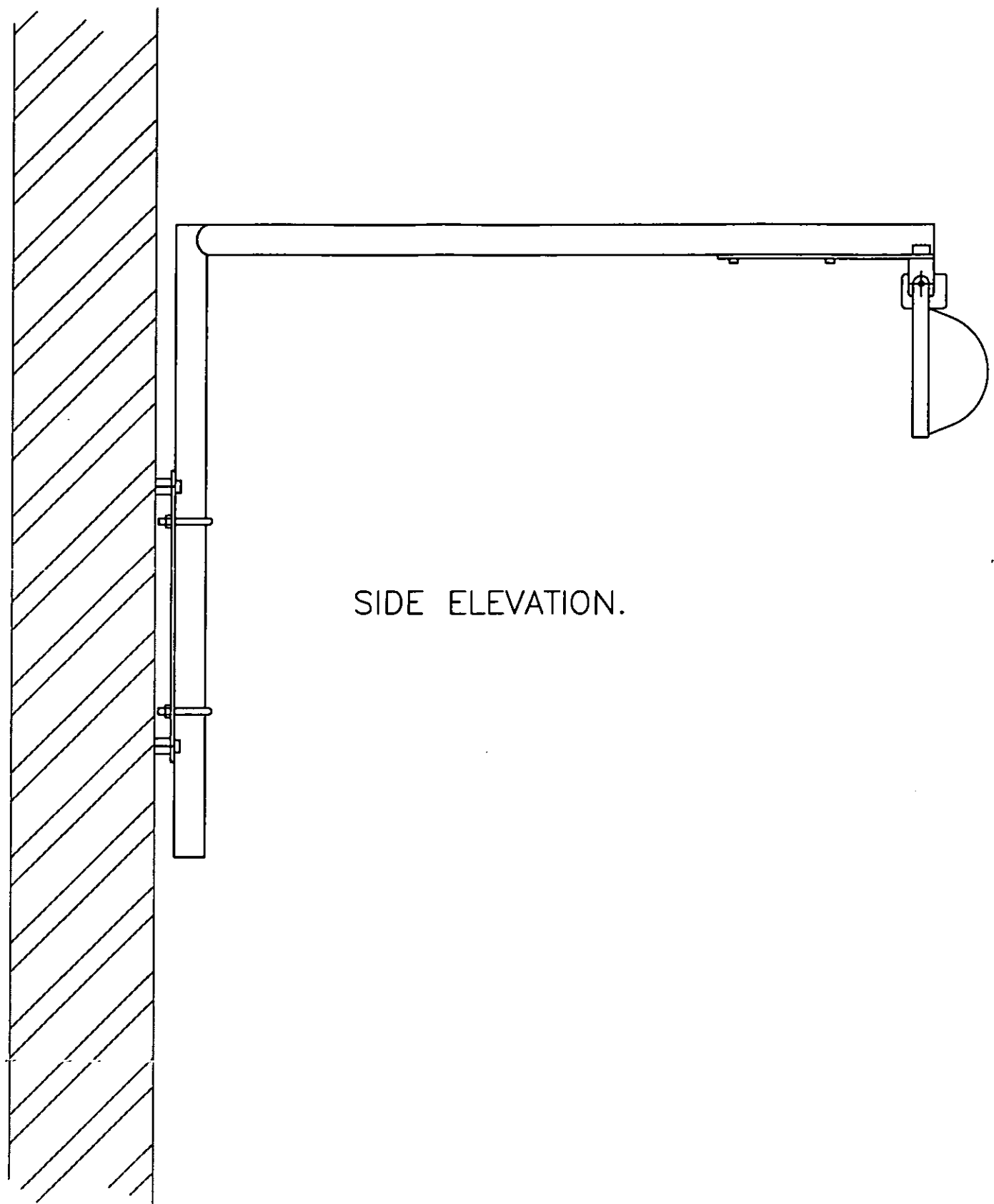


**ROYAL BOROUGH  
OF  
KENSINGTON & CHELSEA**

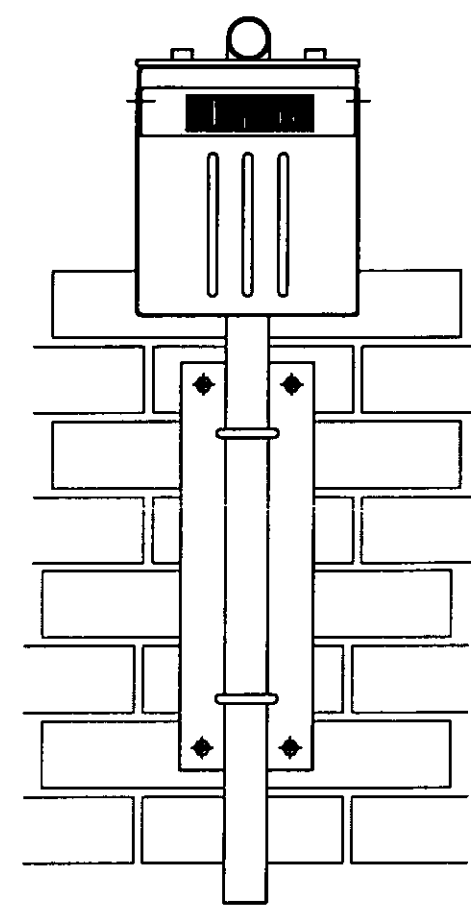
**DOCUMENT SEPARATOR**

**DOCUMENT TYPE:  
APPROVED DRAWINGS**





SIDE ELEVATION.



FRONT ELEVATION.

EX	HDC	TP	CAC	AD	CIU	AO	AK
DIR	RB	KJC	20	DEC	2001	PLANNING	
N	C	SW	SE	APP	IO	REC	
							ARBIFPLINDESFEES

QA 020067

NOTES:

TITLE  
LIGHT MOUNTING BRACKET  
FIXING DETAIL

**SAB**  
**Electrical**  
**Contractors**

SITE

CLIENT

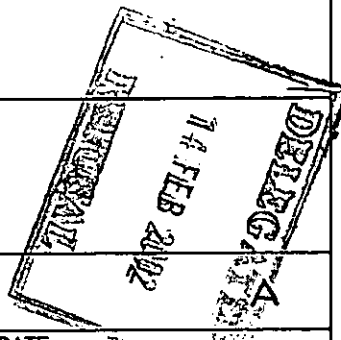
DRAWING No.

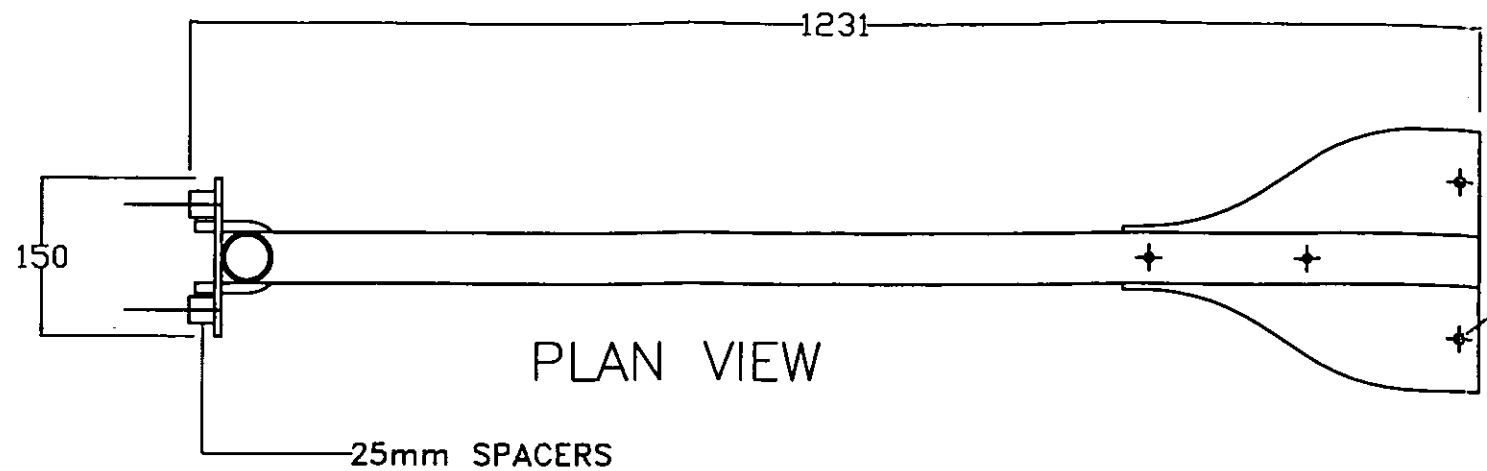
DRAWN  
D.O.

DATE  
22/11/01

SIZE  
A3

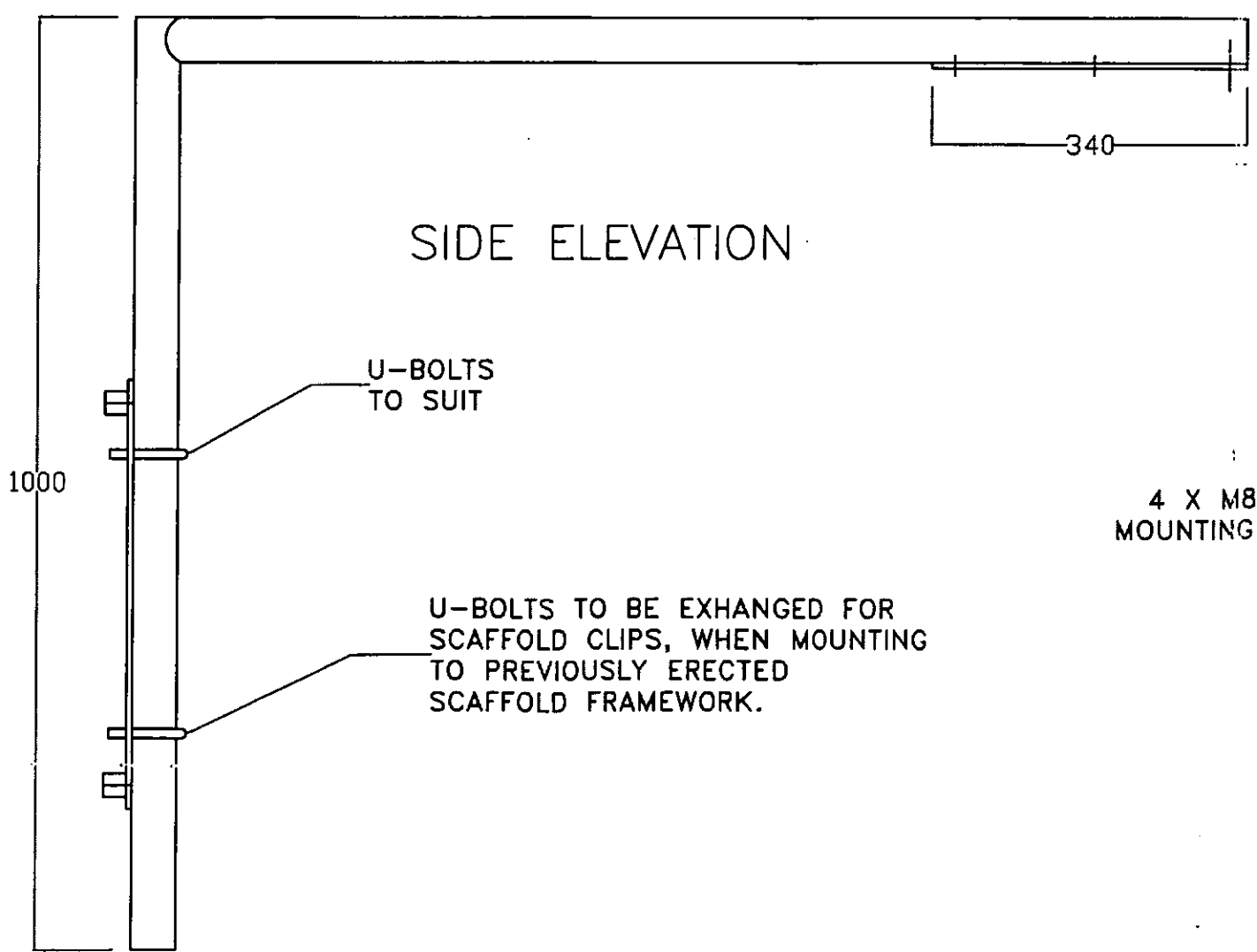
SCALE  
N.A.





PLAN VIEW

MOUNTING HOLES FOR LIGHT FITTING

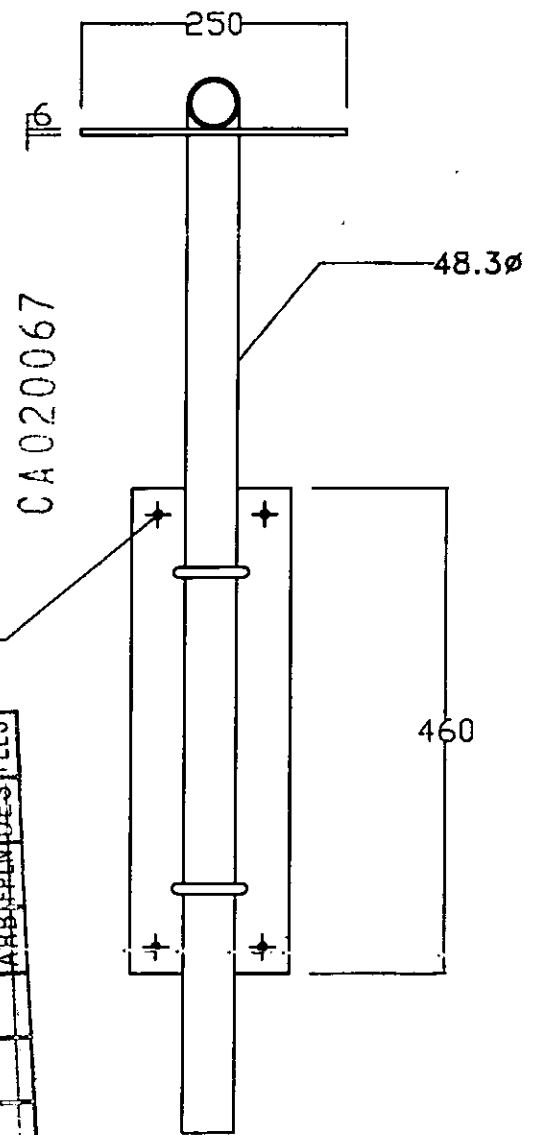


SIDE ELEVATION

U-BOLTS TO SUIT

U-BOLTS TO BE EXCHANGED FOR SCAFFOLD CLIPS, WHEN MOUNTING TO PREVIOUSLY ERECTED SCAFFOLD FRAMEWORK.

4 X M8 FIXINGS FOR MOUNTING TO MASONRY



FRONT ELEVATION

EX	HDC	TP	CAC	AD	CLU	AO	AK
DIR	RB	KJC	20 DEC 2001	PLANNING			
	N	C	SW	SE	APP	IO	REC
				ARB	PLN	DES	FEES

NOTES:

TITLE  
LIGHT MOUNTING BRACKET  
DETAIL

**SAB**  
**Electrical**  
**Contractors**

SITE

CLIENT

DRAWING No. B

DRAWN D.O. DATE 22/11/01

SIZE A3 SCALE N.A.



Produced 07 Dec 2001 from Ordnance Survey digital data and incorporating surveyed revision available at this date. © Crown Copyright 2001.

Reproduction in whole or in part is prohibited without the prior permission of Ordnance Survey.

Ordnance Survey, the OS symbol and Superplan are registered trade marks of Ordnance Survey, the national mapping agency of Great Britain.

Scale 1: 1250

EX DIR	HDC	TP	CAG	AD	CLU	AO AK
RB	KJC	20 DEC 2001			PLANNING	
N	National Grid sheet reference at centre of this Superplan: 10257BNW					AK

The representation of a road, track or path is no evidence of a right of way.

This Superplan product does not contain all recorded map information.