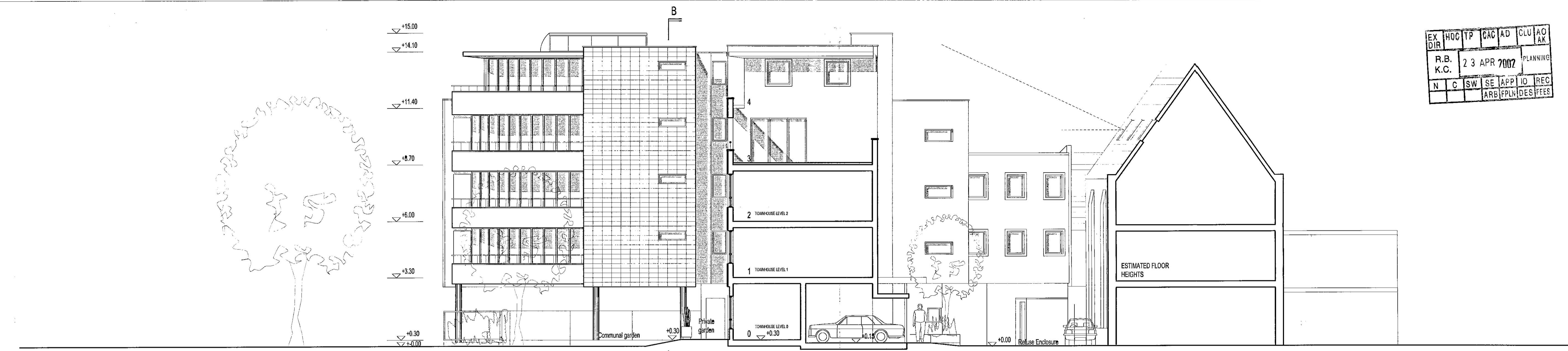
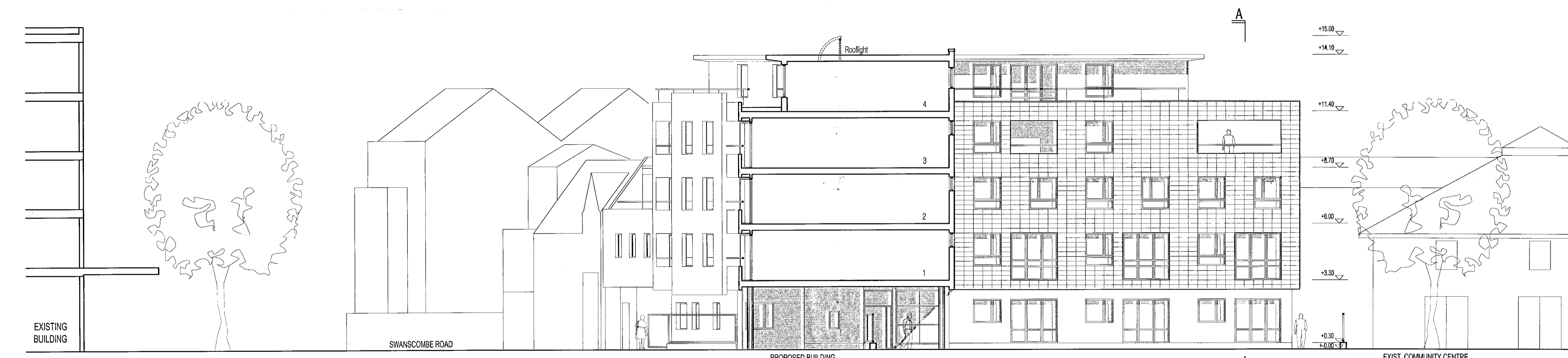


REV	DATE	NOTE

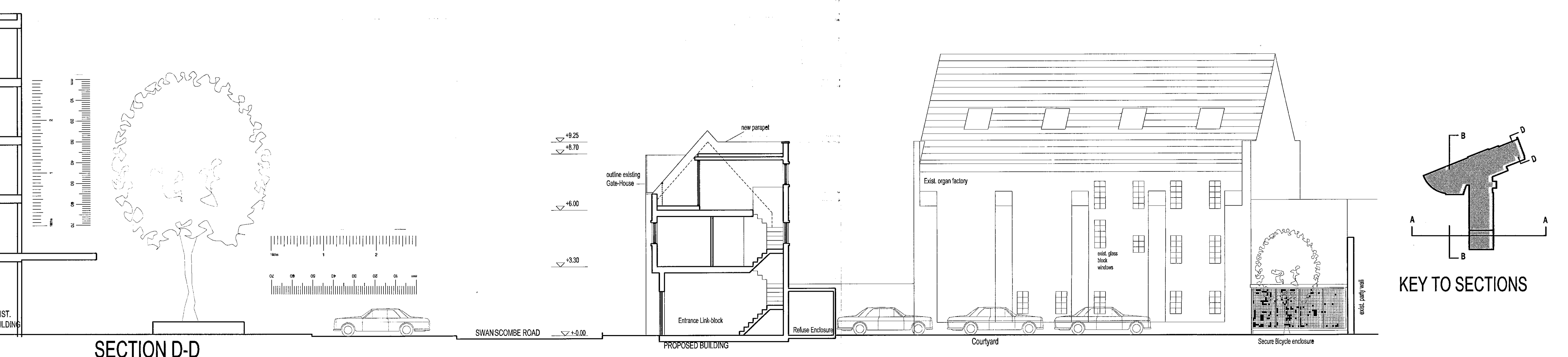
EX DIR	HDC TP	SAC AD	CLU AD	AO AK
R.B.	2 3	APR 2002	PLANNING	
K.C.				
N	C	SW	SE	APP ID REC
			ARE/FPLN/DES/FEE/S	



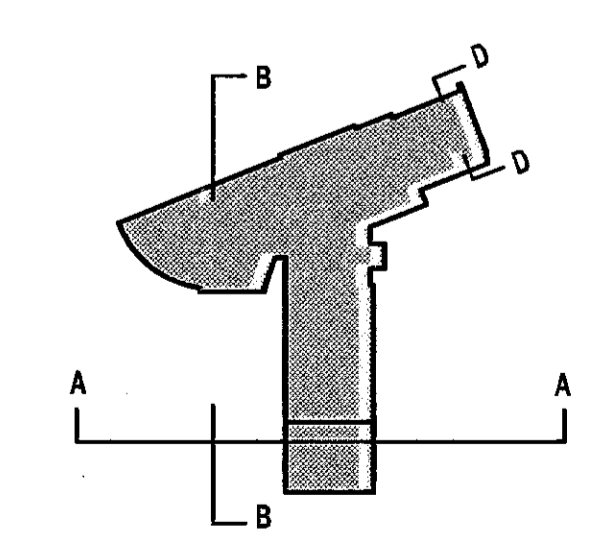
SECTION A-A



SECTION B-B



SECTION D-D



KEY TO SECTIONS

**7 SWANSCOMBE ROAD**  
LONDON W11

A RESIDENTIAL DEVELOPMENT FOR NOTTING HILL HOME OWNERSHIP

drawing SECTIONS

scale / size 1:100 (@A1)

date 19th APRIL 2002

drawing no / revision 0112-P-GA12

status PLANNING APPLICATION ISSUE

REFERENCE FILES

PP0200901

avant architects

1 Torriano Mews  
London NW5 2RZ  
t 020 7284 1616  
f 020 7284 1655

aaa@avantfiarchitects.co.uk