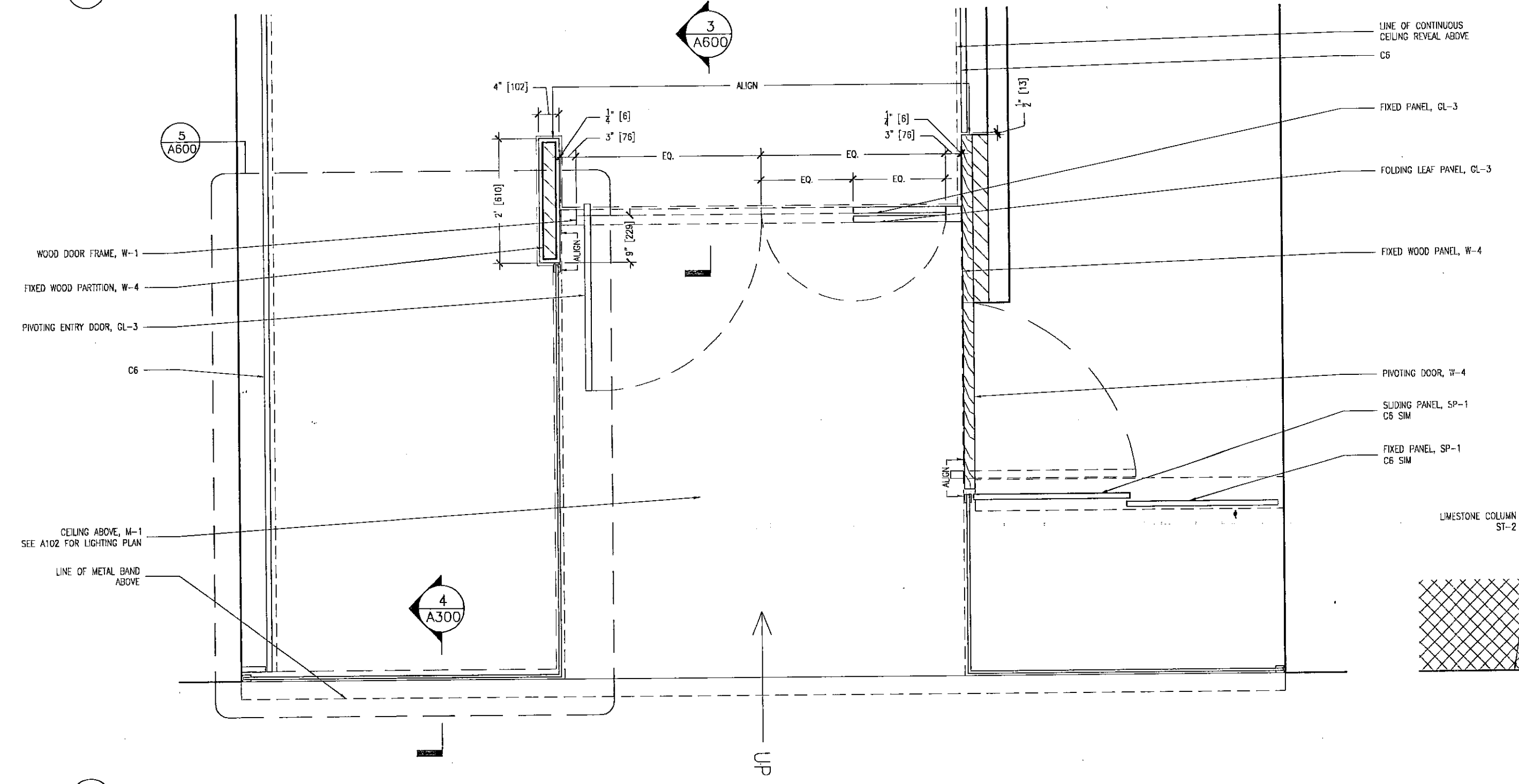
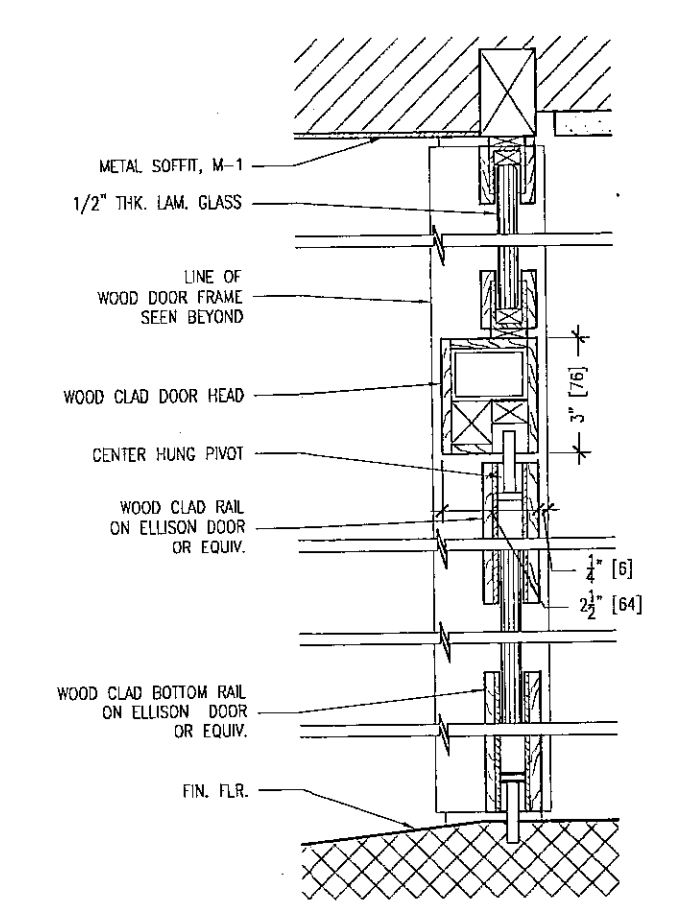




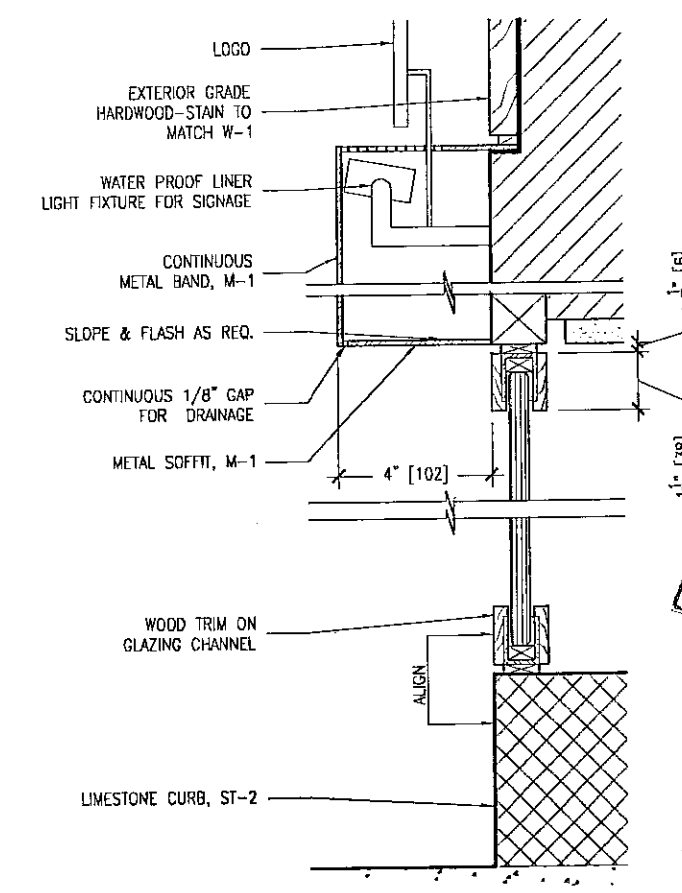
1 FACADE ELEVATION
1:50



2 STOREFRONT PART PLAN
1:20

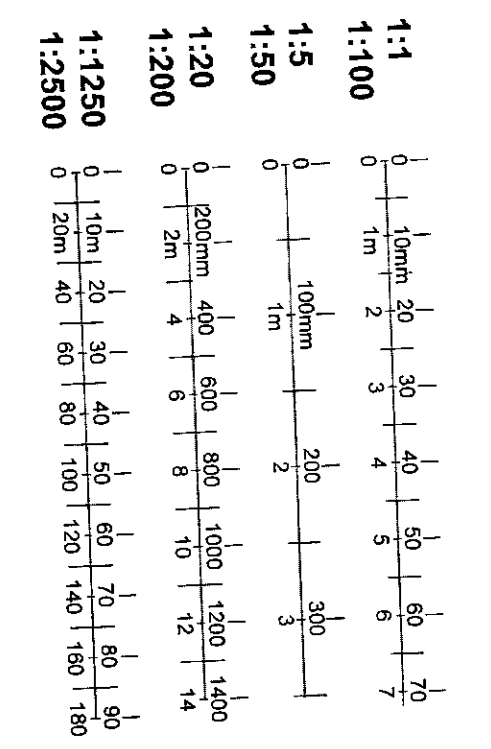


3 VERTICAL SECTION THROUGH ENTRY DOOR
1:5



4 VERTICAL SECTION THROUGH STOREFRONT WINDOW
1:5

5 PLAN DETAIL - STOREFRONT
1:5



PP992524
R.B.K. & C.
TOWN PLANNING
- 9 DEC 1999
RECEIVED

DELEGATED
APPROVAL
- 7 MAR 2000

ISSUE#	DATE	DESIGN LEVEL	DESCRIPTION
1	10.08.99	DESIGN LEVEL	

REVISION #	DATE	DESCRIPTION

EPISODE
KNIGHTSBRIDGE
CONCEPT DESIGN

S. RUSSELL GROVES
270 LAFAYETTE ST No. 502 NY NY 10012
T: 212.968.8210 F: 212.968.6269

STOREFRONT
DETAILS

DATE: 10.08.99
SCALE: AS NOTED
PROJECT NO. 8905

A600