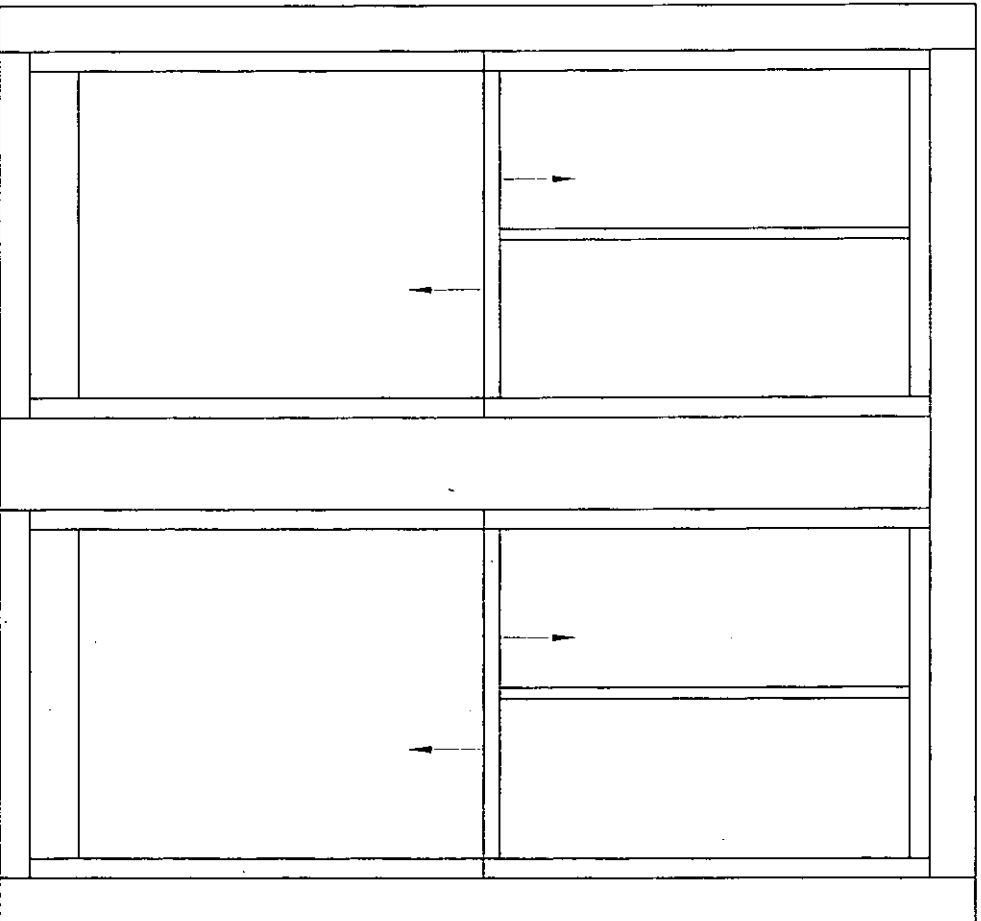
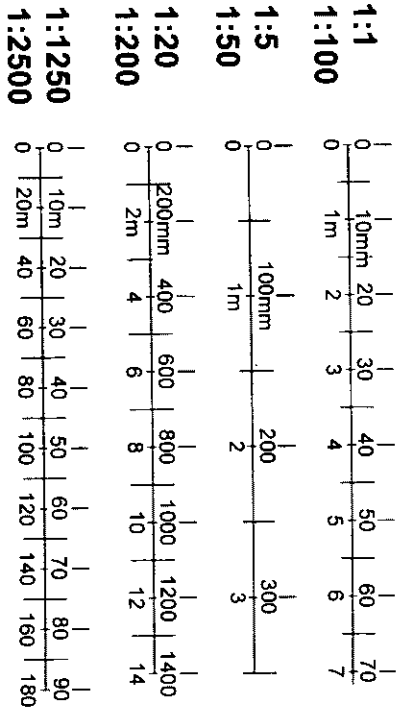


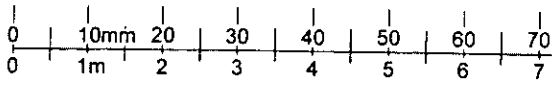
31

2no Type A10
Approx Site Size
1830w X 1940h o/a
Block 4, Ground Floor W1, W2.

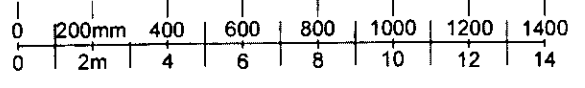


MH Joinery Products PLC	Range: KENSINGTON S/G	Date: 30/1/99	Drawing Ref: TYPE_A10
Scale: 1:15	Section:	ELEVATION WINDOW TYPE A10	

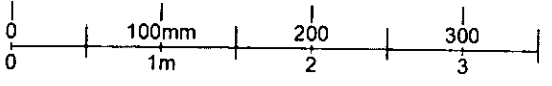
1:1
1:100



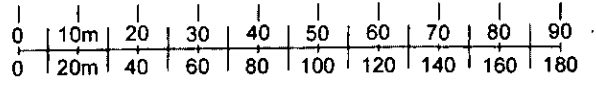
1:20
1:200



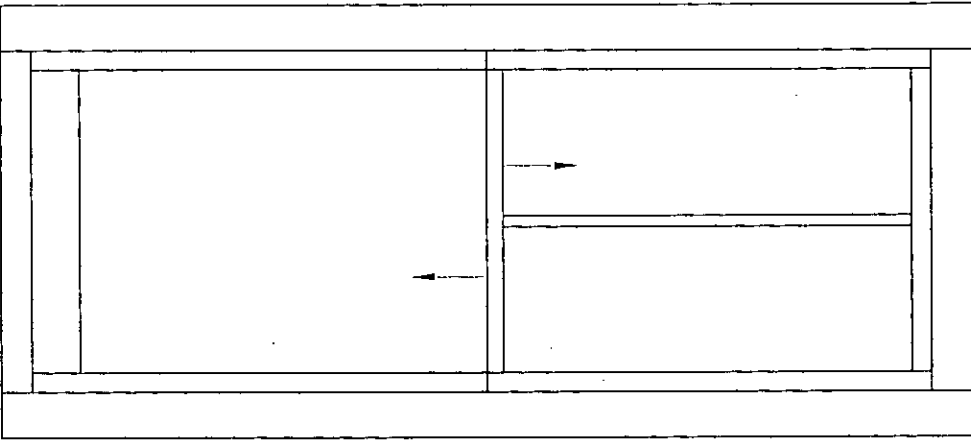
1:5
1:50



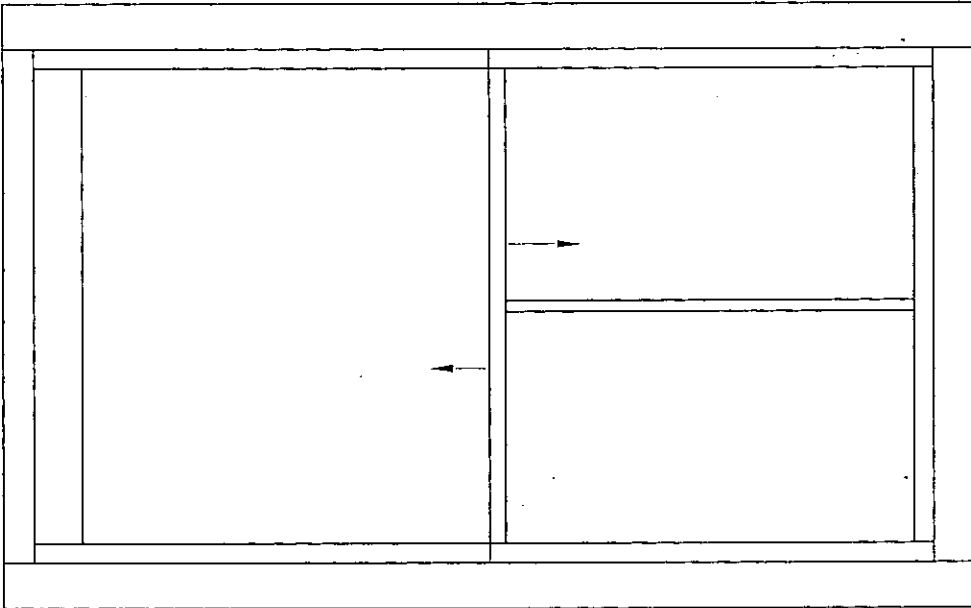
1:1250
1:2500



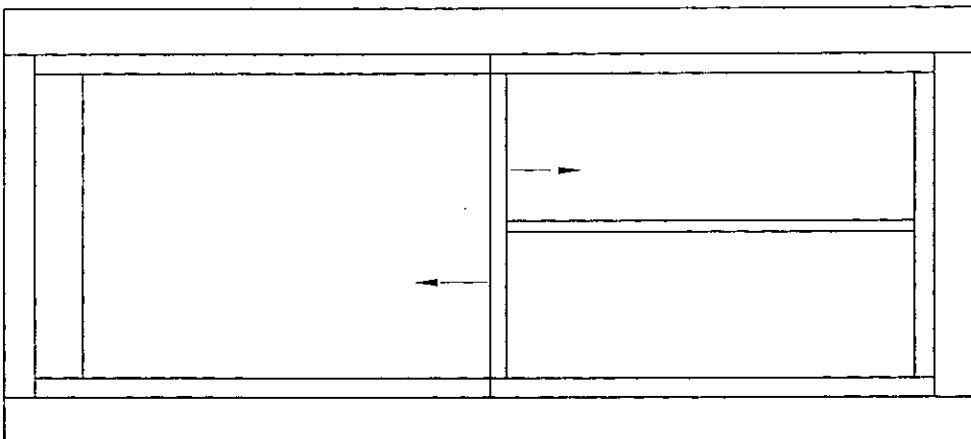
Ino Type A11
 Approx Site Size
 865w X 1940h o/a
 Block 4, Ground Floor W3.



Ino Type A11
 Approx Site Size
 1210w X 1940h o/a
 Block 4, Ground Floor W4.



Ino Type A11
 Approx Site Size
 865w X 1940h o/a
 Block 4, 2nd Floor W5.



32

Joinery Products PLC

Range: KENSINGTON S/G

Date: 30/11/99

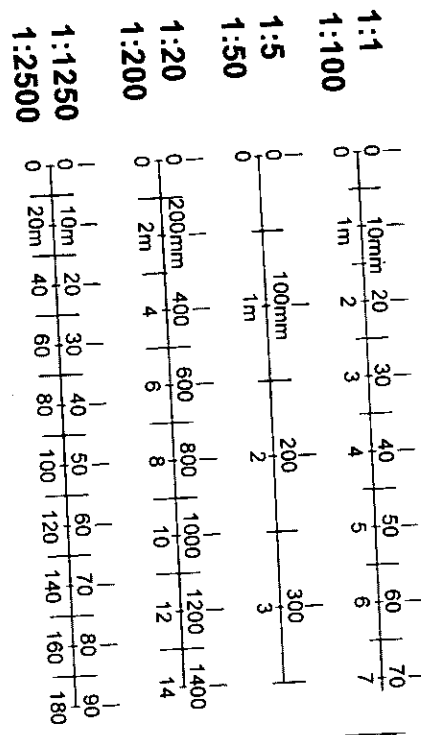
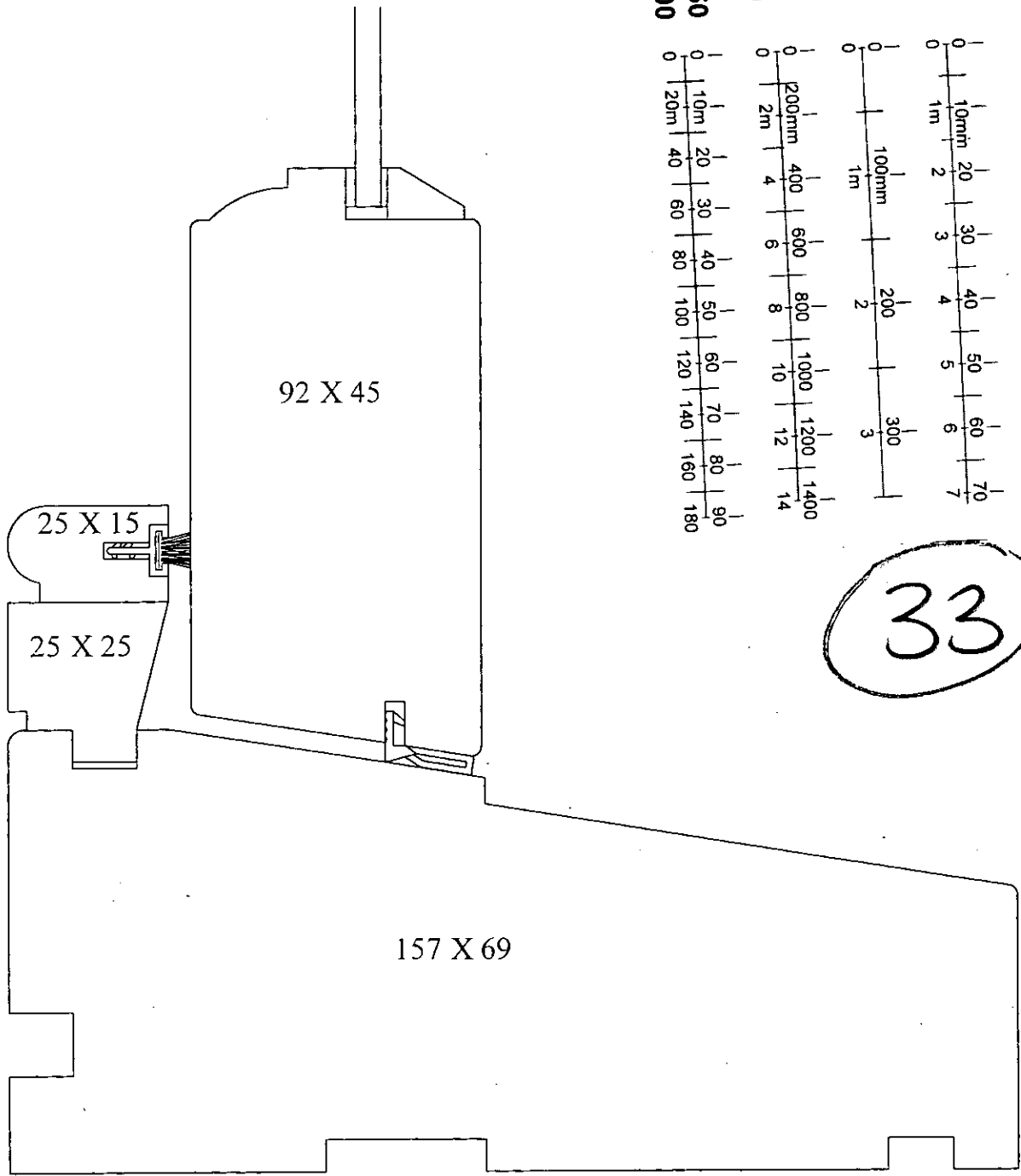
Drawing Ref:

TYPE_A11

1:15

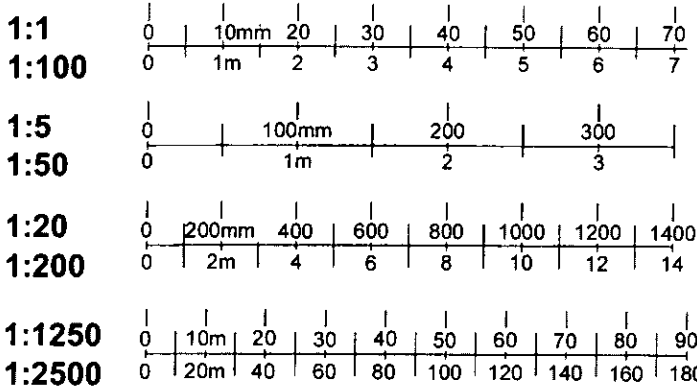
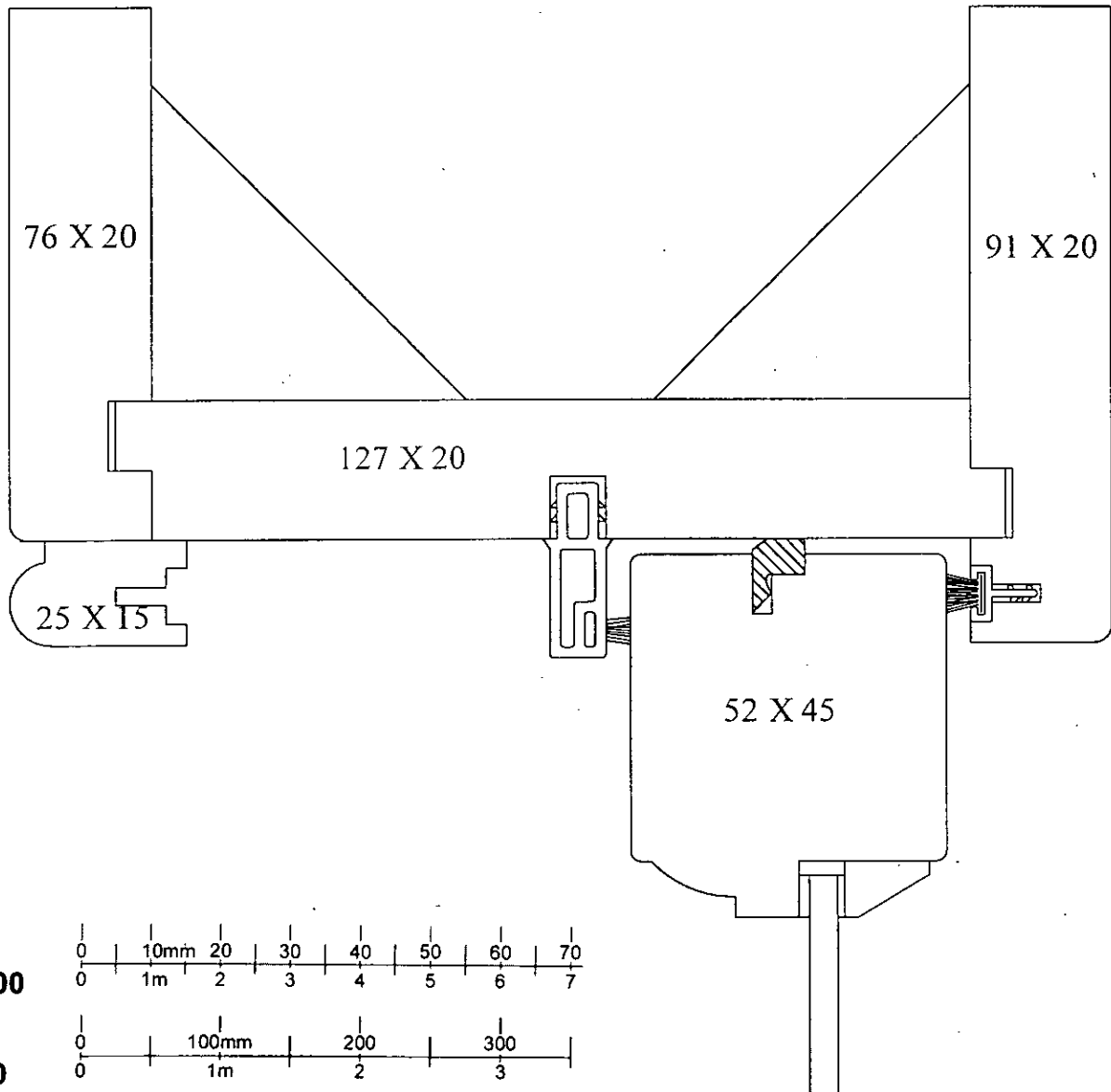
Section:

ELEVATION WINDOW TYPE A11



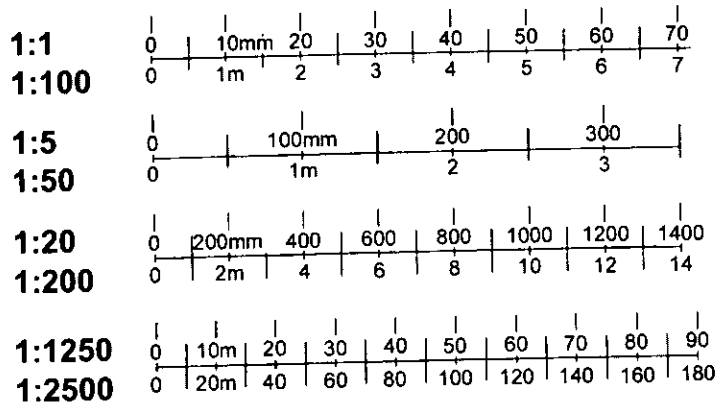
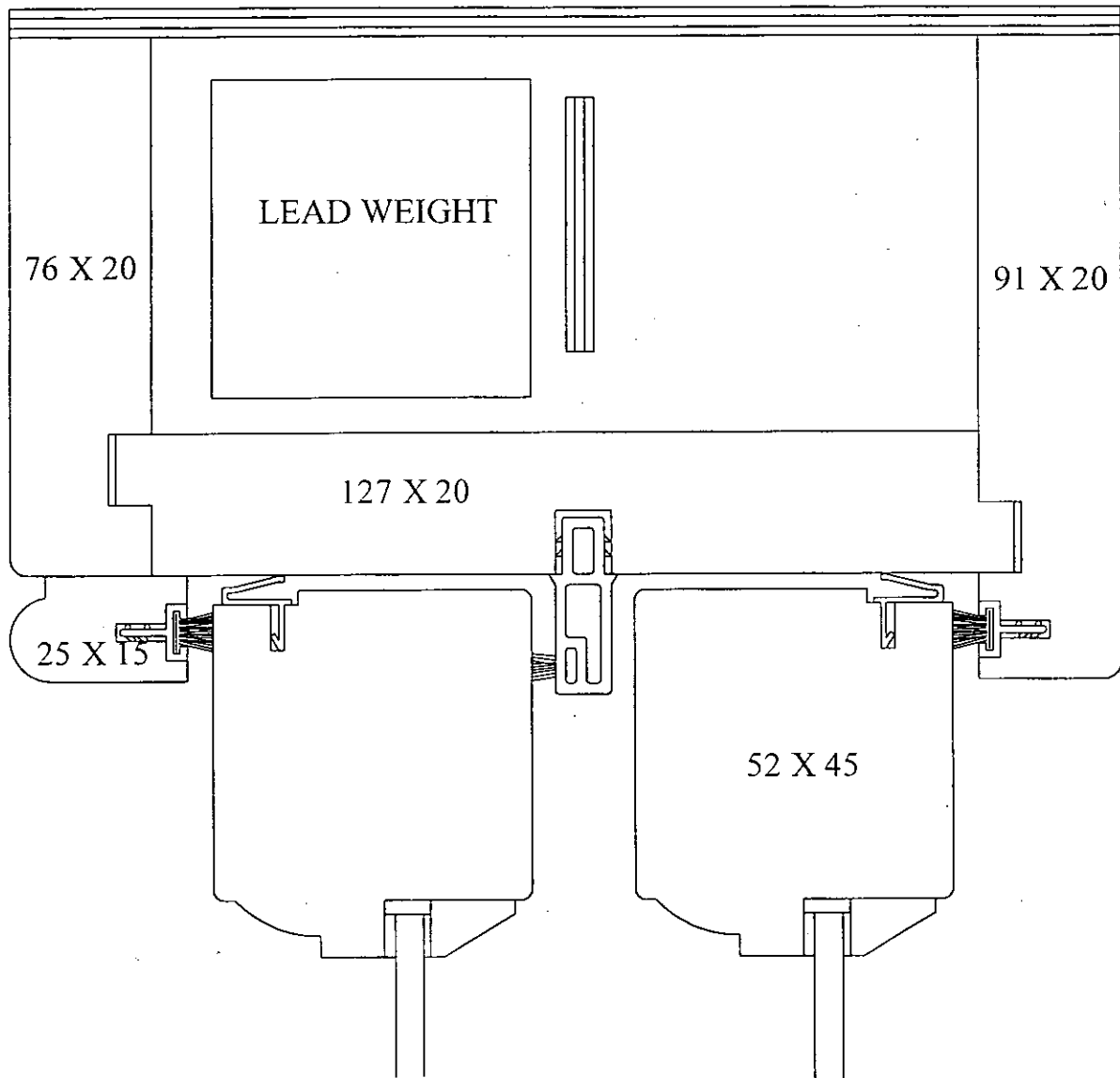
MH Joinery Products PLC			Range:	KENSINGTON SINGLE	
Scale:	1:1	Date:	08/02/99	Drawing Ref:	O_R_CILL
Section:	CILL AND BOTTOM RAIL				

34



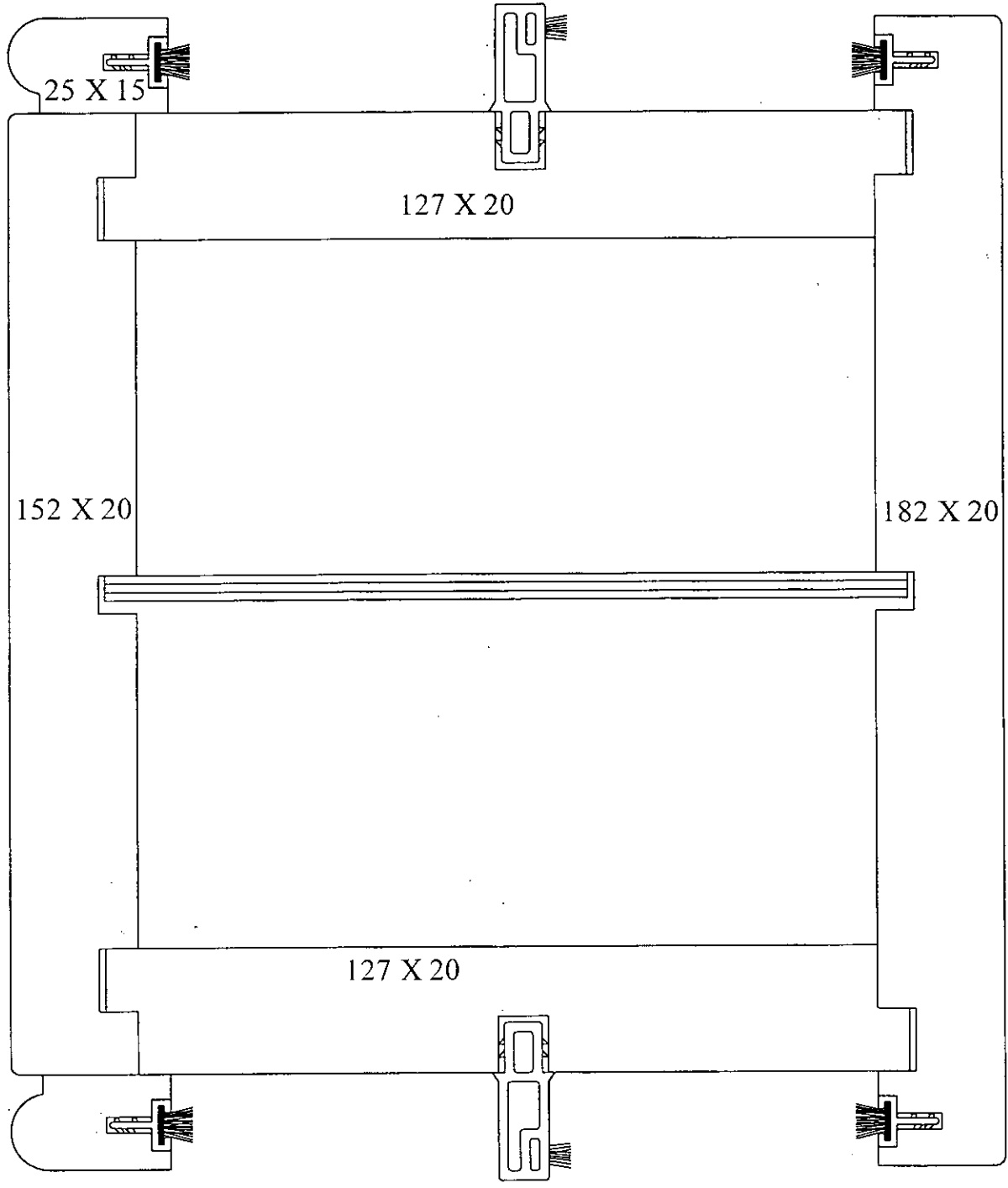
MH Joinery Products PLC				Range:	KENSINGTON SINGLE	
Scale:	1:1	Date:	08/02/99	Drawing Ref:	O_R_HEAD	
Section:	HEAD AND TOP RAIL					

35

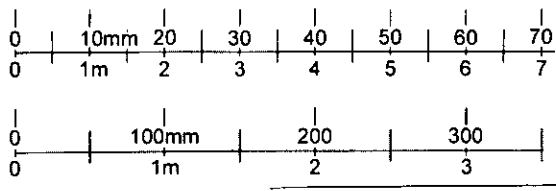


MH Joinery Products PLC			Range:	KENSINGTON SINGLE	
Scale:	1:1	Date:	05/11/97	Drawing Ref:	O_R_JAMB
Section:	JAMB AND STILES				

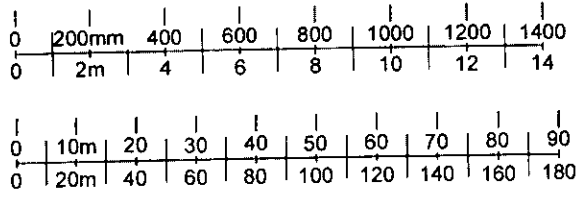
36



1:1
1:100
1:5
1:50



1:20
1:200
1:1250
1:2500



MH Joinery Products PLC

Range:

KENSINGTON SINGLE

Scale:

1:1

Date:

08/02/99

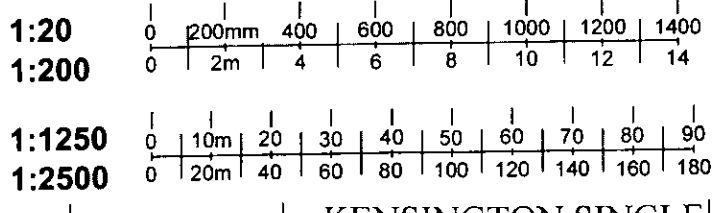
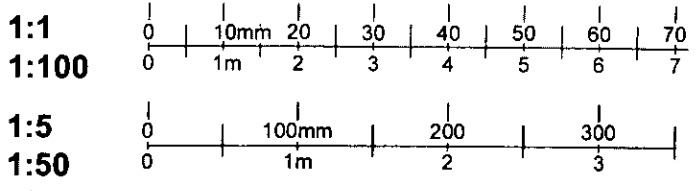
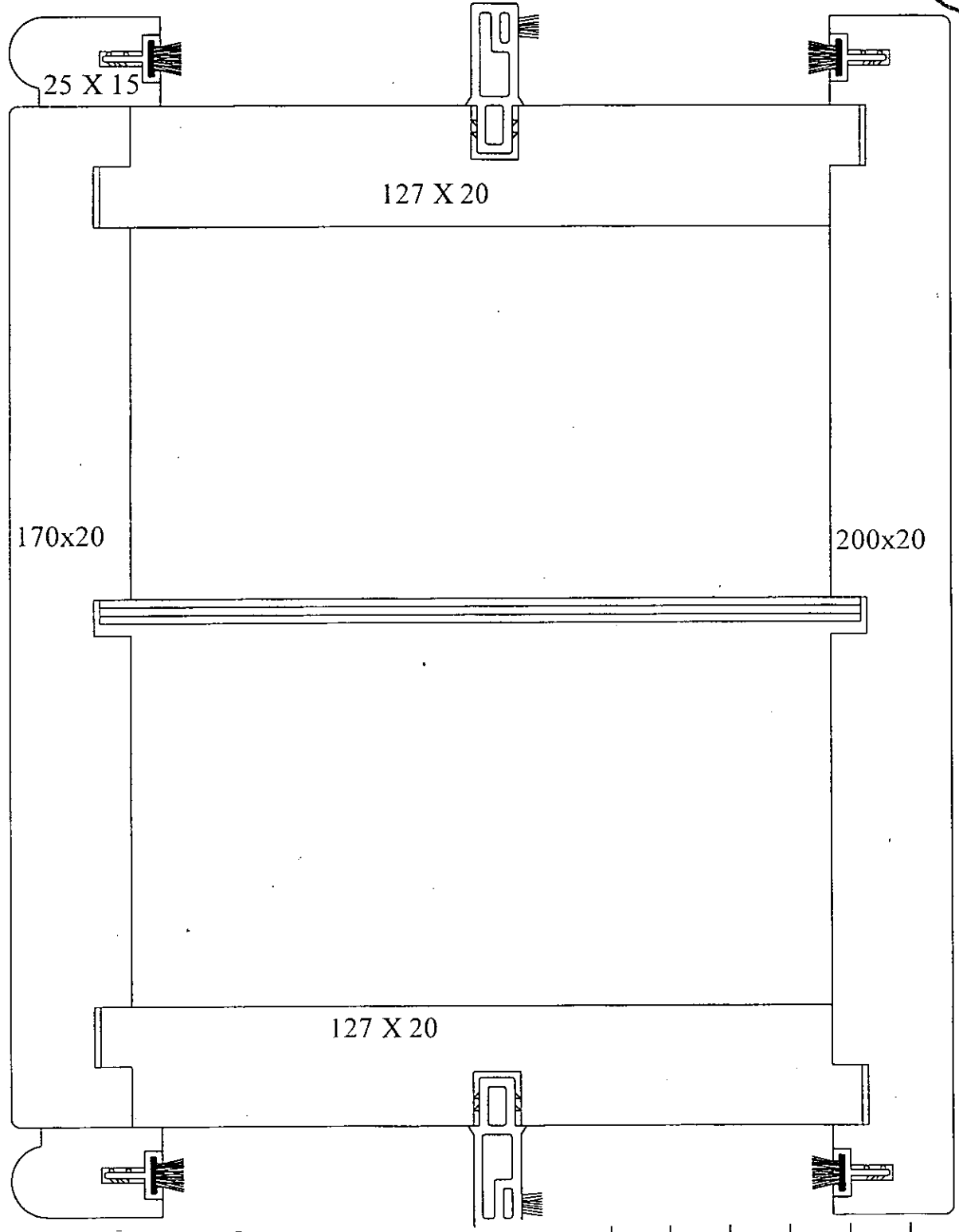
Drawing Ref:

O_R_BXMU

Section:

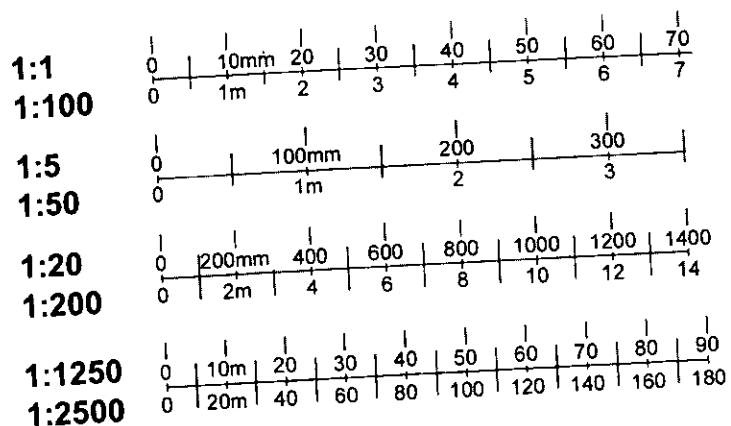
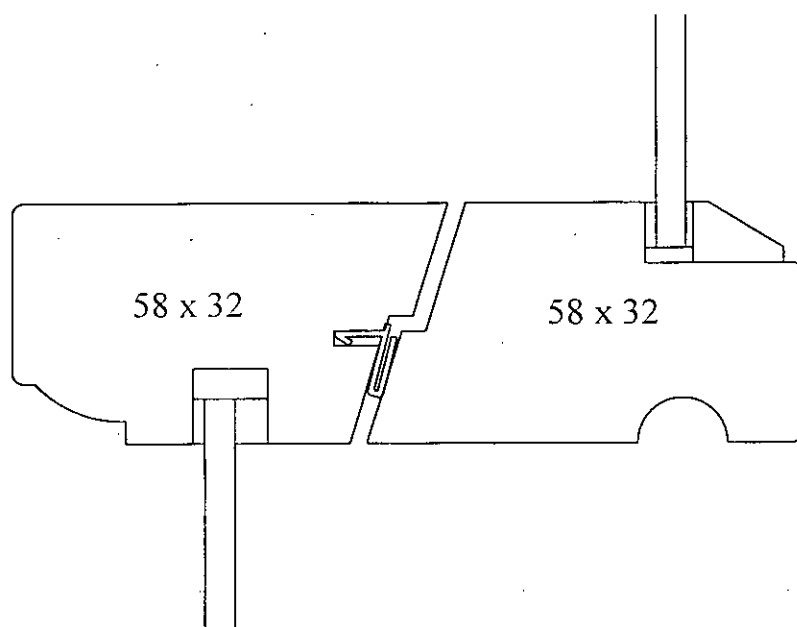
BOX MULLION AND STILES

37



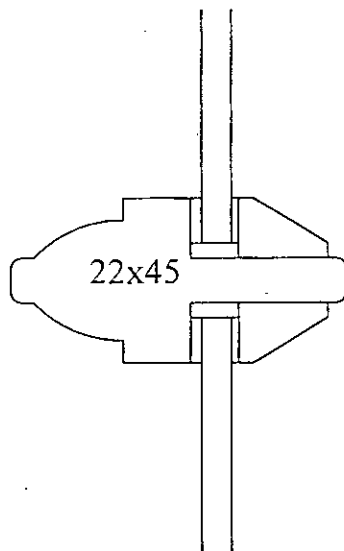
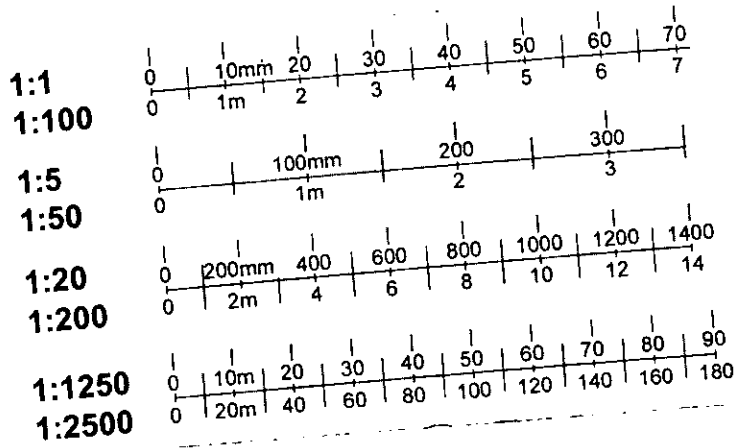
MH Joinery Products PLC			Range:	KENSINGTON SINGLE	
Scale:	1:1	Date:	30/11/99	Drawing Ref:	BOX_A8_9
Section:	BOX MULLION TO FIT BEHIND STONE MULLION, WINDOWS A8, A9.				

38



MH Joinery Products PLC			Range:	KENSINGTON SINGLE	
Scale:	1:1	Date:	08/02/99	Drawing Ref:	O_R_MEET
Section:	MEETING RAILS				

39



MH Joinery Products PLC				Range:	KENSINGTON SINGLE	
Scale:	1:1	Date:	08/02/99	Drawing Ref:	O_R_GBAR	
Section:	GLAZING BAR					